

OCT10-M21801EN

PREFACE

This parts catalog carries all parts incorporated in YANMAR Model YM220 and YM220D tractors manufactured since April, 1982.

This parts catalog carries all parts incorporated in YANMAR Model YM250 and YM250D tractors manufactured since August, 1986.

Each illustration corresponds to the parts list on the following page.

When ordering parts, clearly write down the tractor model, as well as the name and number of each part in your order sheet. This will help insure reliable delivery of the parts you have ordered.

COLOURING

Some parts are painted in colors according to the models, specifications, and their destinations. In this parts catalog, colouring is classified into ten variations and shown in abbreviated codes as below.

Colour code	Color
K	Metallic calm green
M	Silver
P	Green
Q	Cream
R	Red
W	Frosted black
X	Black
Y	Yellow
Z	Celva black
U	Plating

The colour of a part is denoted by the colour code suffixed to an ordinary part number :

Example : Fender (L) 194195-62110-R
 ↓
 Red

When ordering painted parts, please designate part colours in your order sheet by suffixing one of these color codes to the part number you want to order.

Classification of specification code

A : America, Canada, South Africa, Australia & New Zealand

F : France, Belgium & Holland

U : England, Switzerland, Denmark & Norway

P : Portugal & Greece

Scan : Scandinavia (Norway & Denmark)

E : Europe (Belgium & Holland)

Stan : Standard (Other country)

Directions for the Parts Catalog.

1. The parts stipulated in this Parts Catalog are not necessarily standard equipped parts.
2. Parts may change without prior notice.
3. The following is an example of the Parts Catalog format.

OCF10-G21601		29. FUEL INJECTION PUMP(W/BOOST)									
REF.	LEV.	PARTS NO.	DESCRIPTION	(A)	(B)	(C)	(D)	(E)	(F)	I	R
1	1	729595-51390	FUEL INJECTION PUMP	1	1	1	1	1			1
1-1	1	729595-51391	FUEL INJECTION PUMP	1	1	1	1	1		N	1
		(A=E00185) (B=E00200)									
3	2	26022-060162	SCREW M 6X 16	9	9	9	9	9			
3-1	2	26022-060162	SCREW M 6X 16	4	4	4	4	4		K	
		(A=E00156) (B=E00156) (C=E00156) (D=E00156) (E=E00156)									
4	2	129470-51040	CAMSHAFT	1	1	1	1	1			
5	2	122710-51050	BEARING, ROLLER	2	2	2	2	2			
6	2	129470-51060	RETAINER	1	1	1	1	1			

Remarks	
(1)	BOOST COMPEMSATOR TYPE. OPTIONAL PART, TO E00155,(4JH-DT, 4JH-DTZ

① Ref. No.

The Ref. No. listed may not be in accordance with the illustration Ref. No.

(Ex.) Illustration No.

List Ref No.

1

1

(Before change)

1-1

(After change)

For interchangeable symbols N, R and K, illustrations for new parts may be abbreviated.

② Lev. (Level)

Level indication

The numbers below indicate the level of relativity towards the main part.

1 ----- Main parts (Assembly parts)

2 ----- Sub component included in " 1 ".

3 ----- Sub component included in " 2 ".

Note) Parts that are not for sale are partially illustrated but not listed.

③ Interchangeability Mark

When a part change takes place, one of the following interchangeability symbols is indicated beside the part.

Symbol	Interchangeability	Contents note
N	Old $\begin{matrix} \leftarrow \text{Yes} \\ \text{No} \rightarrow \end{matrix}$ New	New Part is interchangeable for Old Part but Old Part is not interchangeable for New Part.
Q	Old $\begin{matrix} \leftarrow \text{No} \\ \text{Yes} \rightarrow \end{matrix}$ New	New Part is not interchangeable for Old Part but Old Part is interchangeable for New Part.
R	Old $\begin{matrix} \leftarrow \text{Yes} \\ \text{Yes} \rightarrow \end{matrix}$ New	New/ Old Parts are both interchangeable.
S	Old $\begin{matrix} \leftarrow \text{No} \\ \text{No} \rightarrow \end{matrix}$ New	New/ Old Parts are both not interchangeable.
W		Part newly added.
Z		Part discontinued.
F		Not interchangeable by a single part but interchangeable together with related parts.
K		Changes only for used parts quantities.

④ Effective Machine No.

When a part changes, the effective Machine No. will be indicated in the (A)-(F) column.

Product Symbol	Product No.	Product Symbol	Product No.
C	Clutch No. Compressor No.	F	Machine No. (Agricultural Equip.)
D	Drive No.	M	Machine No.
E	Engine No.		

Note 1) A date may follow the symbol. (Ex.) 1996.01

Note 2) "XXXXX" and "ZZZZZ" are for parts that could not be predicted or for engine models that could not be identified.

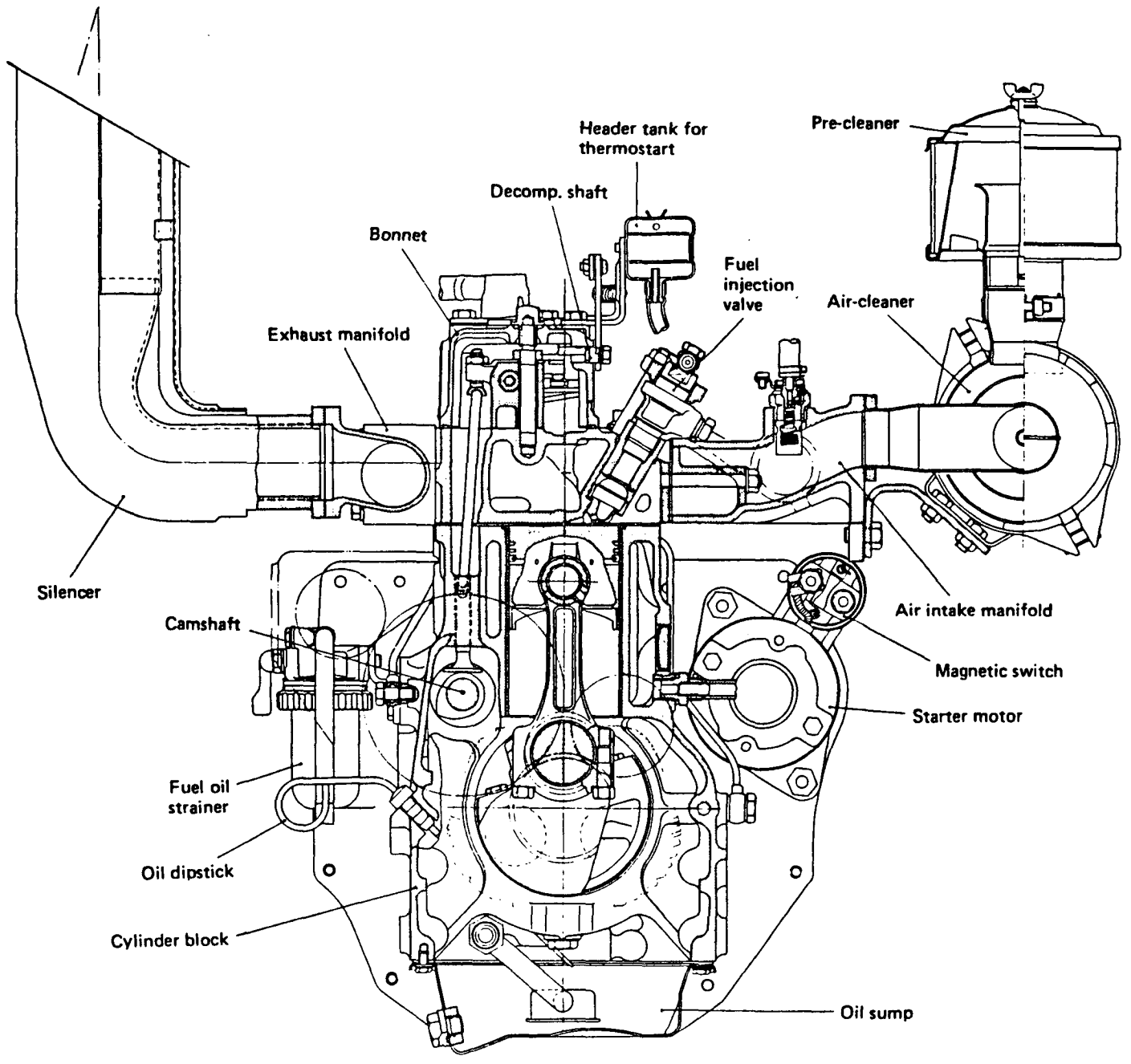
Note 3) (A=E00185) is the E (Engine Serial Number) for the column (A) model (in this case 4JH-DT) after the parts design change.

⑤ Remarks Mark

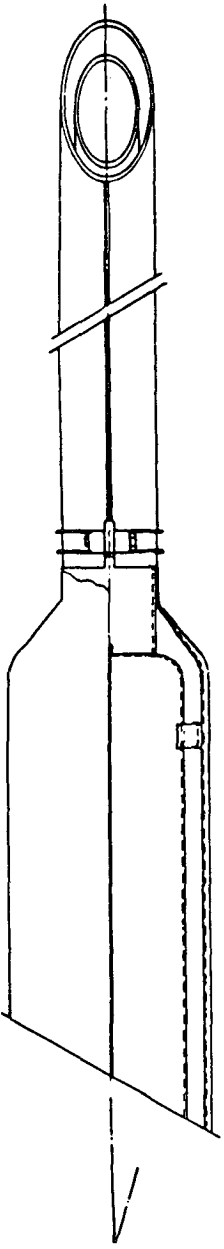
Figures or alphabets (symbols) are entered in the remarks column.

The comments (remarks) on parts that are indicated at the bottom of the illustration are the same symbols as those stated above.

ENGINE SECTIONAL VIEW (1) (For Model 3T75HA)
(1) Horizontal Section

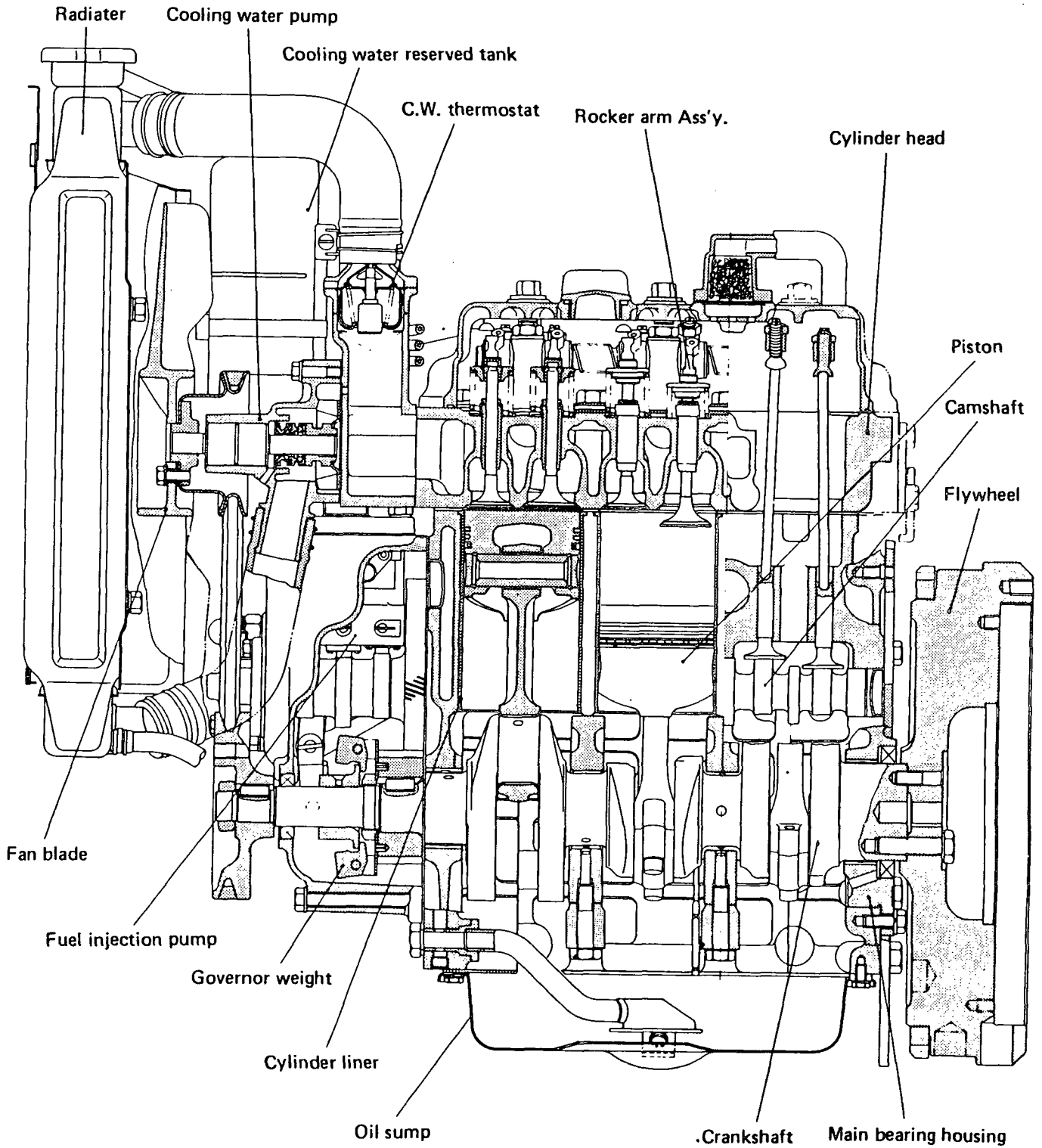


ENGINE SECTIONAL VIEW (1) (For Model 3T75HA)
(1) Horizontal Section



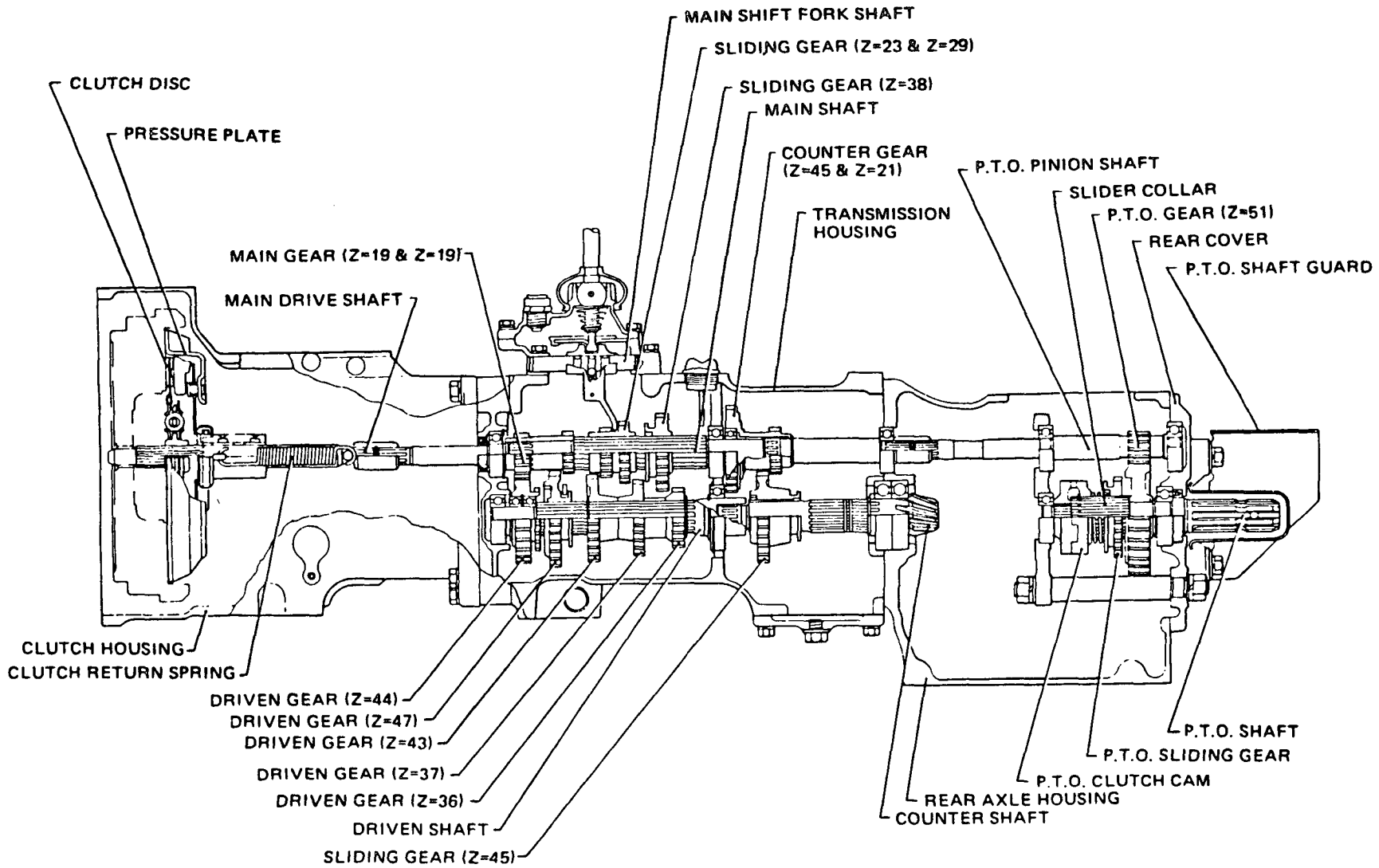
ENGINE SECTIONAL VIEW (2),(For Model 3T75HA)

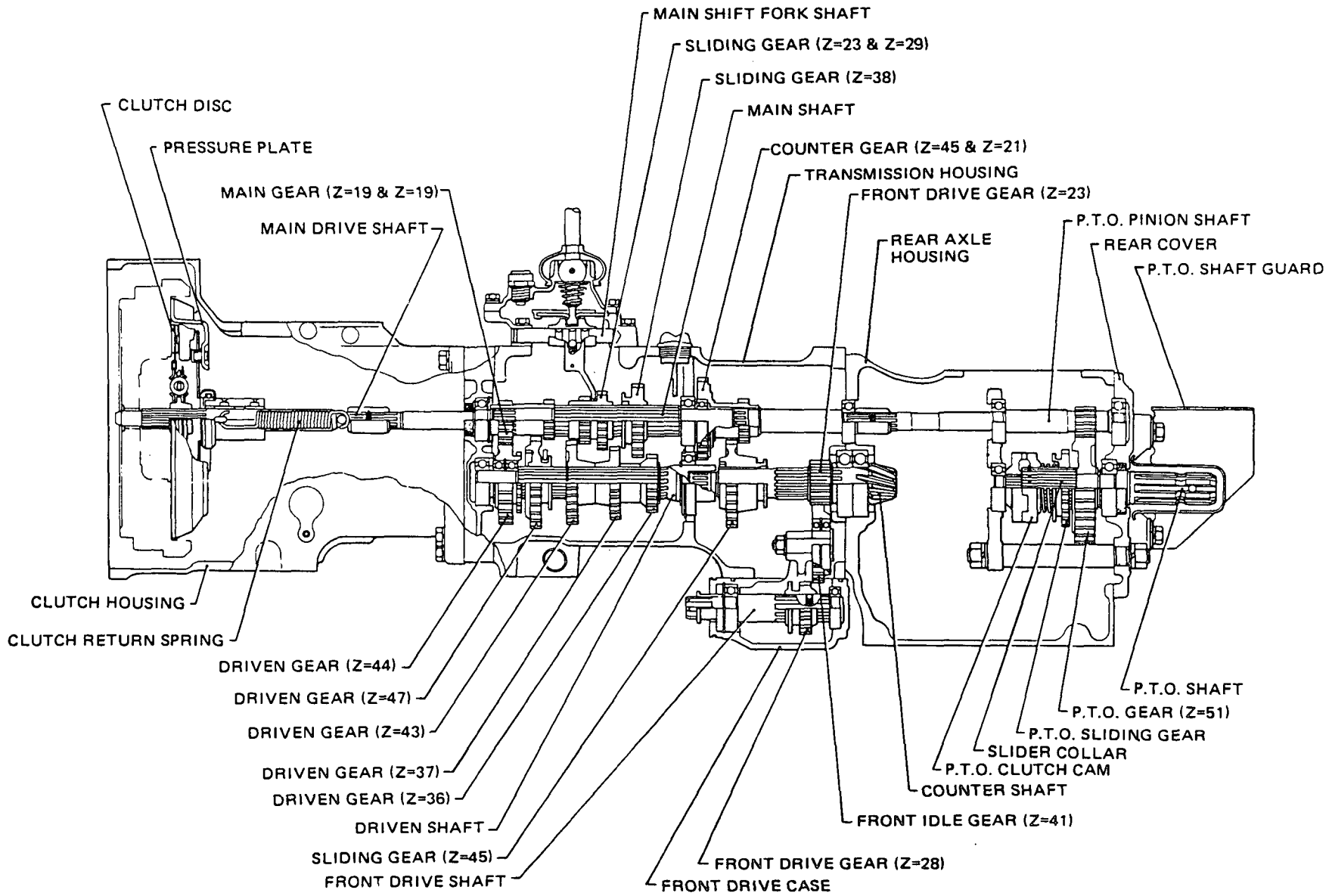
(2) Vertical Section

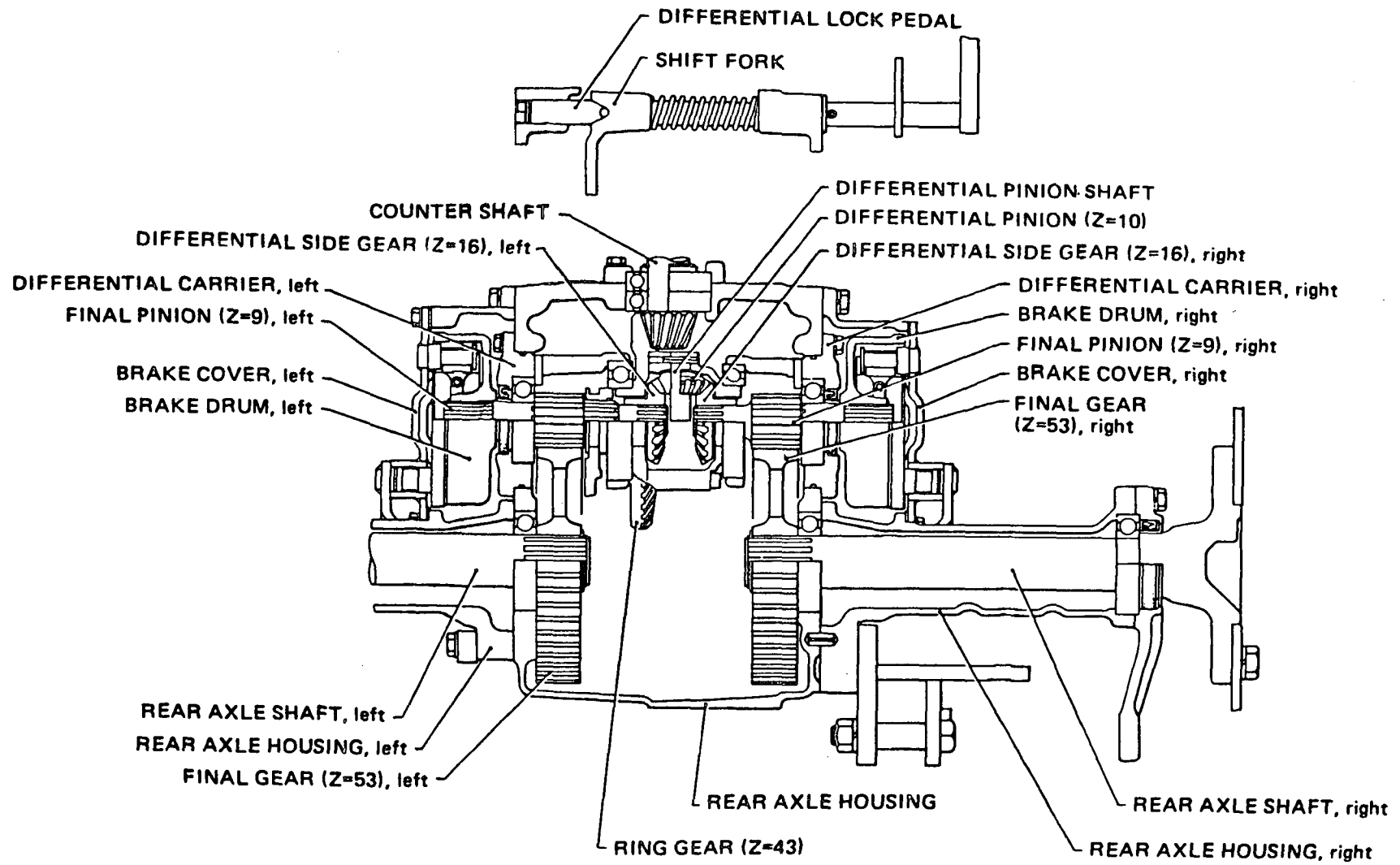


ENGINE SECTIONAL VIEW (2) (For Model 3T75HA)

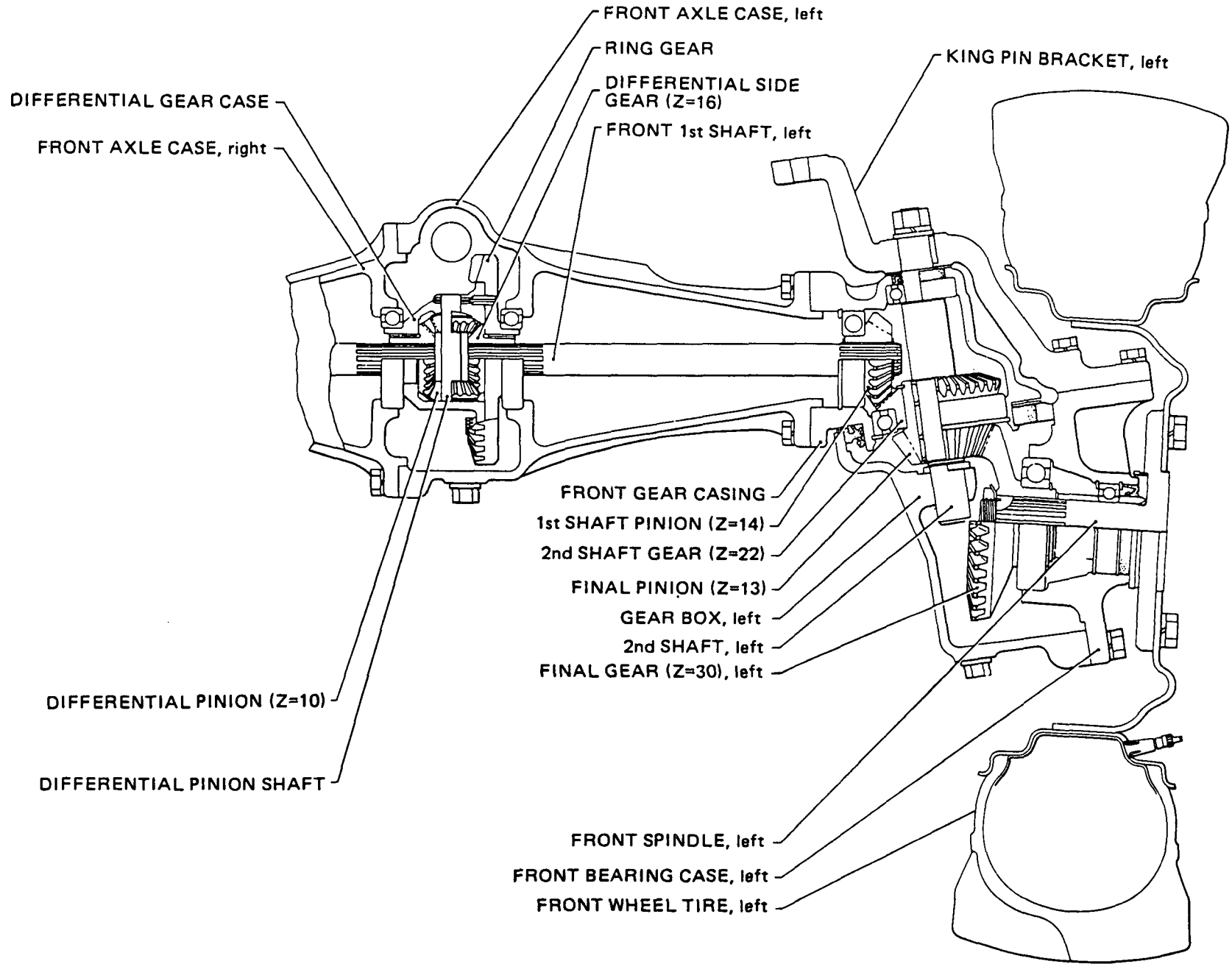
(2) Vertical Section







TRAVELLING FRONT DRIVING SECTIONAL VIEW



TRAVELLING FRONT DRIVING SECTIONAL VIEW

Contents

OCT10-M21801

Fig. No.	Fig. Name
ENGINE YM220/250(D)	
1.	CYLINDER BLOCK
2.	GEAR HOUSING
3.	MAIN BEARING HOUSING
4.	LABELS (FOR ENGINE)
5.	CYLINDER HEAD
6.	BONNET & AIR BREATHER
7.	AIR CLEANER
8.	SILENCER
9.	CAMSHAFT
10.	CRANKSHAFT & FLYWHEEL
11.	PISTON & CONNECTING ROD
12.	LUBRICATING OIL PUMP
13.	LUBRICATING OIL LINES
14.	COOLING WATER PUMP
15.	RADIATOR
16.	COOLING WATER LINES
17.	FUEL INJECTION PUMP
18.	FUEL INJECTION VALVE
19.	FUEL STRAINER
20.	FUEL LINES
21.	GOVERNOR MECHANISM
22.	ELECTRIC EQUIPMENT
23.	THERMOSTART DEVICE
24.	STARTER 12V-1.8 KW (TYPE

Fig. No.	Fig. Name
25.	GENERATOR (TYPE GP9150
26.	REPAIR KIT(A)(FOR ENGINE)
27.	GASKET KIT (A) (FOR ENGINE)
CHASSIS	
28.	THROTTLE
29.	FUEL TANK
30.	BELT COVER & FRONT AXLE BRACKE
31.	FRONT AXLE
32.	RING GEAR & PROPELLER SHAFT
33.	2ND SHAFT & FRONT SPINDLE
34.	CASING OF FRONT AXLE
35.	STEERING
36.	CLUTCH
37.	TRANSMISSION HOUSING
38.	TRANSMISSION GEARS
39.	P.T.O. DRIVING SHAFT
40.	MAIN SHIFT LEVER
41.	RANGE SHIFT LEVER
42.	FRONT DRIVE & SHIFT
43.	DIFF. GEARS OF REAR AXLE
44.	REAR AXLE HOUSING
45.	REAR AXLE SHAFT
46.	BRAKES
47.	HYDRAULIC PIPES

Contents

OCT10-M21801

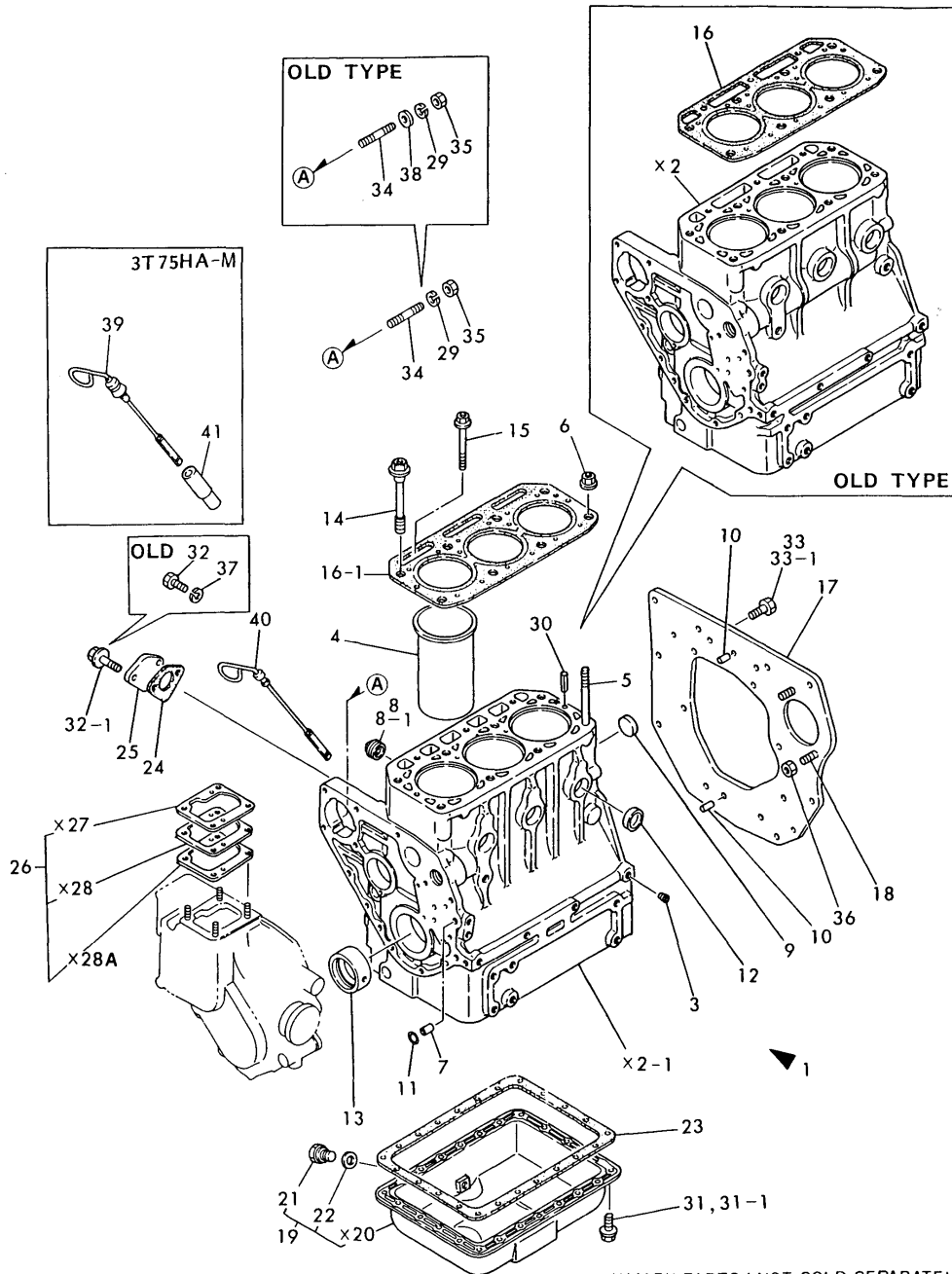
Fig. No. Fig. Name

- 48. HYDRAULIC CYLINDER & LIFT
- 49. HYDRAULIC CONTROL VALVE
- 50. OIL PRESSURE CONTROL
- 51. WIRE HARNESS
- 52. ELECTRIC PARTS
- 53. LAMP (FOR YM220 & YM220D)
- 54. LAMP (FOR YM250 & YM250D)
- 55. HOOD
- 56. FENDER & SEAT
- 57. LABELS
- 58. THREE-POINT HITCH
- 59. DRAWBAR
- 60. AG TIRES (FRONT & REAR)
- 61. AG TIRES (FRONT & REAR)
- 62. TURF TIRES (FRONT & REAR)
- 63. AG TIRES (FRONT & REAR)
- 64. AG TIRES (FRONT & REAR)
- 65. TURF TIRES (FRONT & REAR)
- 66. FRONT POWER TAKE OFF
- 67. WEIGHT(FRONT & REAR WHEEL)
- 68. TOOLS
- 69. HEATER(OPTIONAL PART)
- 70. ROLL BAR

Fig. No. Fig. Name

Fig.1. CYLINDER BLOCK

Fig. 1 CYLINDER BLOCK



X-MARK PARTS : NOT SOLD SEPARATELY

(A)=3T75HA
(B)=3T75HA-M
(C)=

(D)=
(E)=
(F)=

No.	Lev.	Parts No.	Description	(A)	(B)	(C)	(D)	(E)	(F)	Q'ty	I	R
1	1	721554-01561	BLOCK ASSY, CYLINDER	1	1							
3	2	124060-01050	PLUG, PT1/8	8	8							
4	2	121551-01100	LINER, CYLINDER	3	3							
5	2	121450-01210	BOLT, HEAD	2	2							
6	2	121450-01220	NUT, CYLINDER HEAD	2	2							
7	2	124085-01900	GUIDE	2	2							
8	2	121750-01920	PLUG, NPTF1	2								
8-1	2	171051-01921	PLUG, NPTF1	2	2							N
(A=*1982.05)												
9	2	121450-01990	PLUG, 30	1	1							
10	2	22312-080160	PIN, PARALLEL M8X16	2	2							
11	2	24311-000100	O-RING, 1AP10.0	2	2							
12	2	27241-300000	PLUG 30	5	5							
13	2	121520-02100	BEARING, MAIN	1	1							
14	1	121550-01200	BOLT, HEAD	6	6							
15	1	129350-01230	BOLT, HEAD	3	3							
16	1	121550-01330	GASKET, HEAD	1								
16-1	1	121550-01331	GASKET, HEAD	1	1							N
(A=E/# 88222)												
17	1	129350-01600	FLANGE, MOUNTING	1	1							
18	1	124450-01610	STUD	2	2							
19	1	721551-01540	SUMP ASSY, OIL	1	1							
21	2	104200-55080	PLUG, DRAIN	1	1							
22	2	43400-500450	SEAL WASHER 12	1	1							
23	1	121575-01750	GASKET, OIL SUMP	1	1							
24	1	121520-01850	GASKET	1	1							
25	1	121520-01860	COVER	1	1							
26	1	121450-01951	SHIM SET, ADJUSTING	1	1							
29	1	22217-080000	WASHER, SPRING 8	4	4							
30	1	22351-060012	PIN, SPRING 6.0X12	2	2							W
(A=*1982.10) (B=FROM 1ST)												
31	1	121450-01710	BOLT, SUMP	23								
31-1	1	26106-060082	BOLT, M6X 8 PLATED	23	23							N
(A=E/# 97414)												
32	1	26116-060182	BOLT, M6X 18 PLATED	2								
32-1	1	26106-060162	BOLT, M6X 16 PLATED	2	2							N
(A=*1982.)												
33	1	26116-100222	BOLT, M10X 22 PLATED	10								
33-1	1	26206-100222	BOLT M10X22	10	10							N
(A=E/# 86878)												
34	1	26216-080302	STUD, M8X 30	4	4							
35	1	26716-080002	NUT, M8	4	4							
36	1	26716-120002	NUT, M12	2	2							
37	1	22217-060000	WASHER, SPRING 6	2								Z
(A=*1982.)												
38	1	22217-080000	WASHER, 8	4								Z
(A=*1982.)												
39	1	121520-34800	DIPSTICK, OIL		1							
40	1	121551-34800	DIPSTICK, OIL	1								
41	1	121520-34810	GUIDE, DIPSTICK		1							

Fig.2. GEAR HOUSING

(A)=3T75HA
(B)=3T75HA-M
(C)=

(D)=
(E)=
(F)=

Fig. 2 GEAR HOUSING

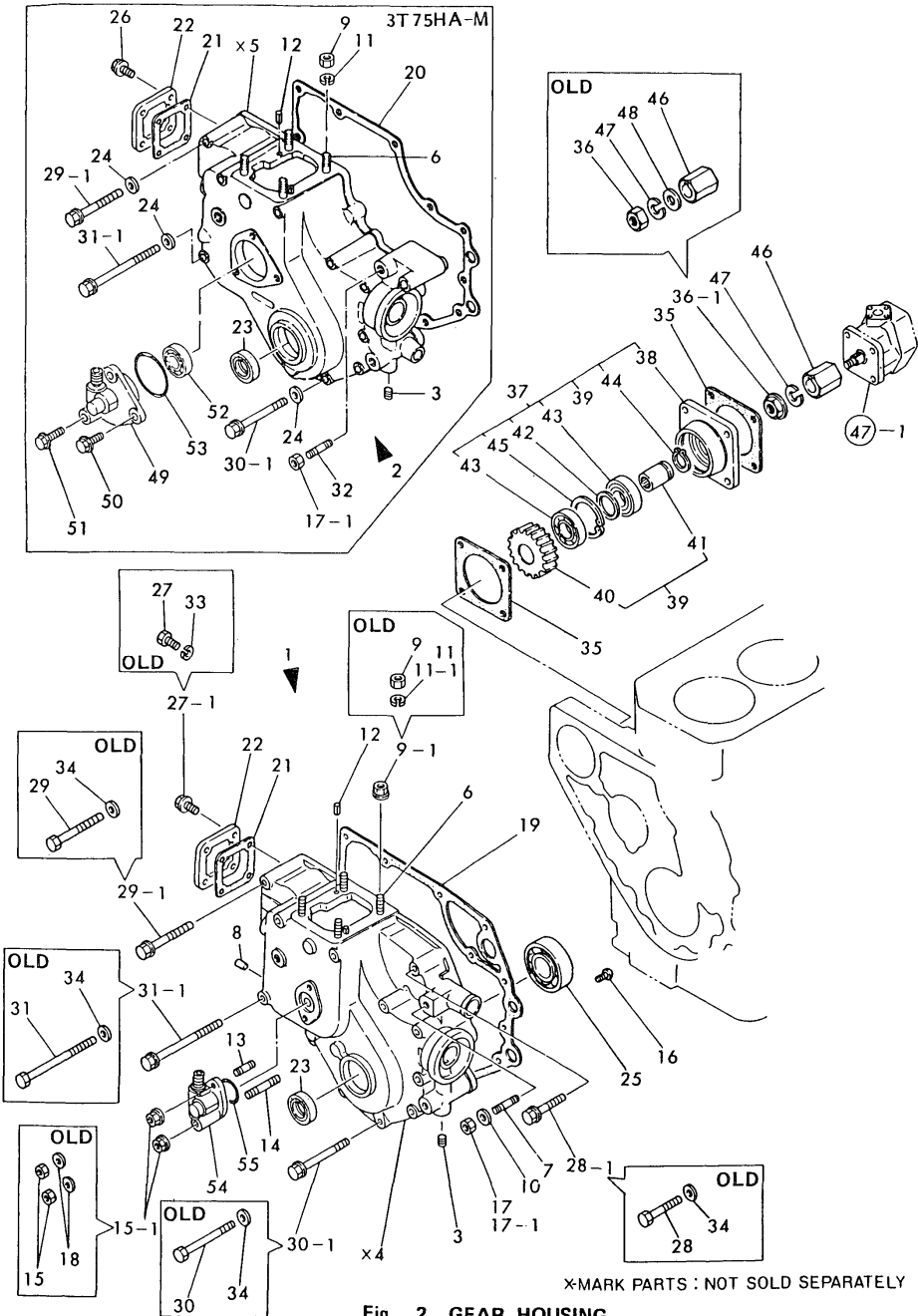


Fig. 2 GEAR HOUSING

X-MARK PARTS : NOT SOLD SEPARATELY

No.	Lev.	Parts No.	Description	Qty						I	R
				(A)	(B)	(C)	(D)	(E)	(F)		
1	1	721454-01612	CASE ASSY, GEAR	1							
2	1	729301-01610	CASE ASSY, GEAR		1						
3	2	124060-01050	PLUG, PT1/8	1	1						
6	2	121450-01560	STUD, M8X22	4	4						
7	2	121450-01570	STUD	1							
8	2	121085-01890	PLUG	1							
9	2	26716-080002	NUT, M8	4	4						
9-1	2	194990-22050	NUT, M8	4							N
(A=E/# 94480)											
10	2	22117-100000	WASHER, 10	1							
11	2	22217-080000	WASHER, SPRING 8	4	4						
11-1	2	22217-080000	WASHER, SPRING 8	4							Z
(A=E/# 94480)											
12	2	22351-040010	PIN, SPRING 4.0X10	2	2						
13	2	26216-060142	STUD, M6X 14	1							
14	2	26216-060352	STUD, M6X 35	1							
15	2	26716-060002	NUT, M6	2							
15-1	2	26366-060002	NUT, M6	2							N
(A=*1982.)											
16	2	26587-080102	SCREW, M8X10	1	1						
17	2	26716-100002	NUT, M10	1							
17-1	2	26706-100002	NUT, M10	1	1						N
(A=*1982.)											
18	2	22117-060000	WASHER, 6	2							Z
(A=*1982.)											
19	1	121450-01511	GASKET, GEAR CASE	1							
20	1	121575-01510	GASKET, GEAR CASE		1						
21	1	121450-01531	GASKET	1	1						
22	1	121450-01550	COVER, BLOCK	1	1						
23	1	121450-01801	SEAL, TC25408	1	1						
24	1	22117-080000	WASHER, 8		12						
25	1	24101-063050	BEARING, BALL 6305C3	1	1						
26	1	26106-060102	BOLT, M6X 10 PLATED		4						
27	1	26116-060122	BOLT, M6X 12 PLATED	4							
27-1	1	26106-060122	BOLT, M6X 12 PLATED	4							N
(A=E/# 86878)											
28	1	26116-080452	BOLT, M8X 45 PLATED	1							
28-1	1	26106-080452	BOLT, M8X 45 PLATED	1							N
(A=*1982.)											
29	1	26116-080752	BOLT, M8X 75 PLATED	2							
29-1	1	26106-080752	BOLT, M8X 75 PLATED	2	2						N
(A=*1982.)											
30	1	26116-080852	BOLT, M8X 85 PLATED	7							
30-1	1	26106-080852	BOLT, M8X 85 PLATED	7	7						N
(A=*1982.)											
31	1	26116-081152	BOLT, M8X115 PLATED	3							
31-1	1	26106-081152	BOLT, M8X115 PLATED	3	3						N
(A=E/# 86878)											
32	1	26216-100322	STUD, M10X 32		1						
33	1	22217-060000	WASHER, SPRING 6	4							Z
(A=E/# 86878)											

N:Old $\frac{Yes}{No}$ New, Q:Old $\frac{No}{Yes}$ New, R:Old $\frac{Yes}{Yes}$ New, S:Old $\frac{No}{No}$ New, W:Add, Z:Discontinued, F:Interchangeable by set, K:Q'ty Change
 ++ CONTINUE ++
 Copyright (C) YANMAR CO., LTD. All Rights Reserved.

Fig.2. GEAR HOUSING

(A)=3T75HA
(B)=3T75HA-M
(C)=

(D)=
(E)=
(F)=

Fig. 2 GEAR HOUSING

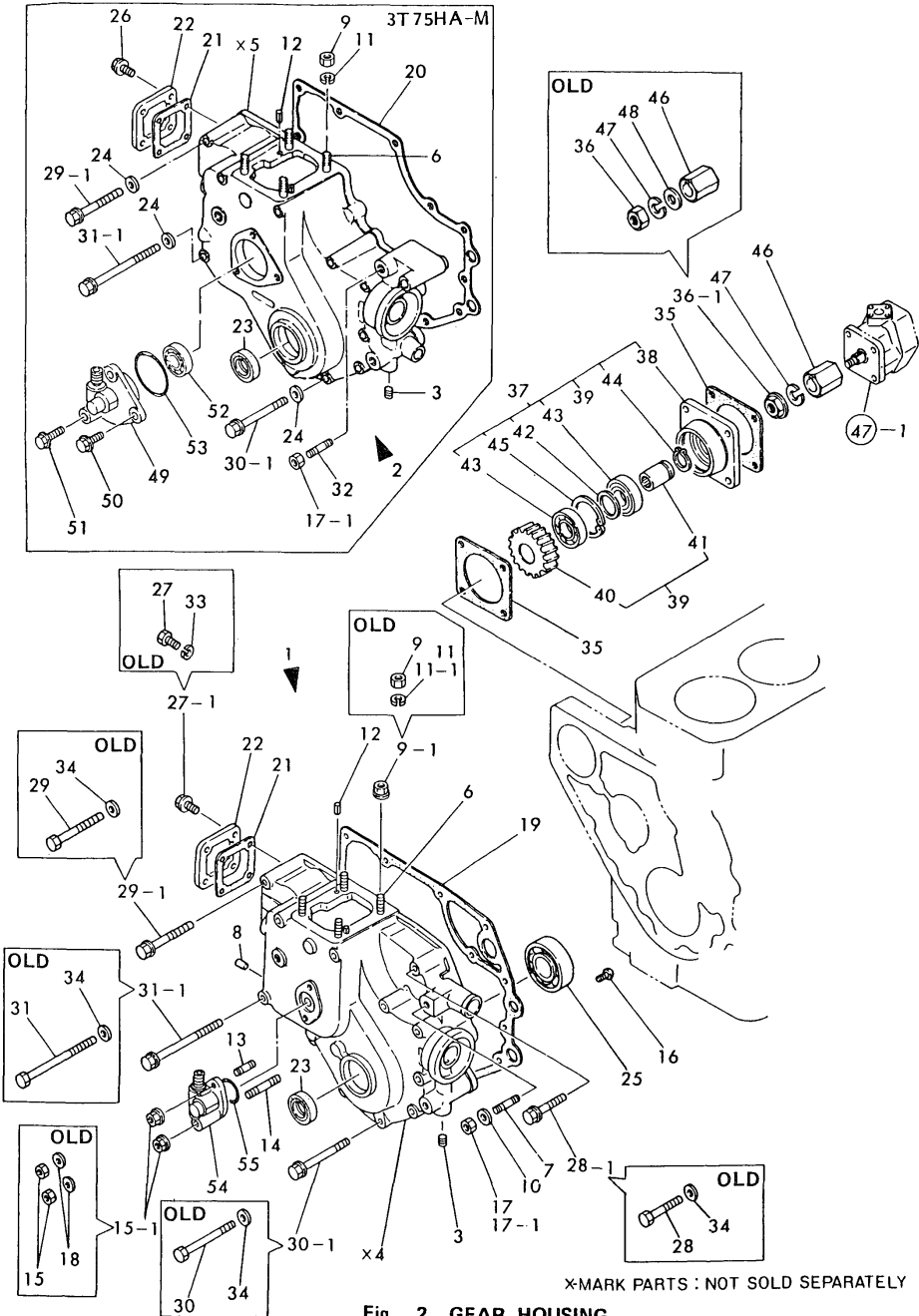
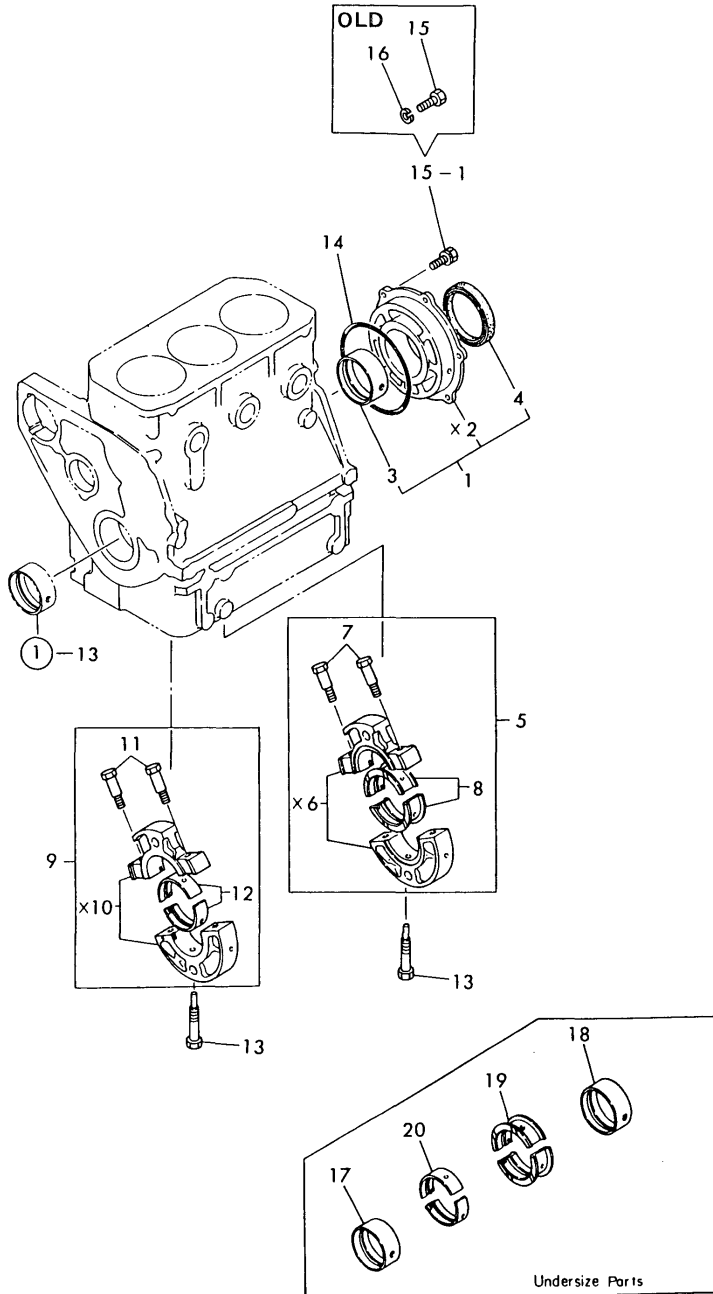


Fig. 2 GEAR HOUSING

No.	Lev.	Parts No.	Description	Q'ty						I	R
				(A)	(B)	(C)	(D)	(E)	(F)		
34	1	22117-080000 (A=*1982.)	WASHER, 8	13							Z
35	1	124240-01882	GASKET	2	2						
36	1	26716-080002	NUT, M8	1							
36-1	1	194990-22050 (A=E/# 94480)	NUT, M8	1	1						N
37	1	129350-26000	DRIVE ASSY, PUMP	1	1						
38	2	129350-26050	BRACKET, PUMP	1	1						
39	2	129350-26100	SHAFT ASSY, DRIVE	1	1						
40	3	129350-26200	GEAR	1	1						
41	3	129350-26400	SHAFT, PUMP DRIVING	1	1						
42	2	124950-26420	SPACER	1	1						
43	2	129350-26490	BEARING, BALL 16005	2	2						
44	2	22242-000250	RING, 25	1	1						
45	2	22252-000470	RING, 47	1	1						
46	1	129350-26160	JOINT	1	1						
47	1	22217-080000	WASHER, SPRING 8	1	1						
48	1	22117-080000	WASHER, 8	1							Z
(A=E/# 86878)											
49	1	121456-91400	GEAR		1						
50	1	121456-91981	BOLT, M8X16		2						
51	1	121456-91991	BOLT, M8X35		1						
52	1	24101-062024	BEARING, BALL 6202		1						
53	1	24341-000460	O-RING, 1AS46.0		1						
54	1	121450-91400	GEAR		1						
55	1	24341-000260	O-RING, 1AS26.0		1						

Fig.3. MAIN BEARING HOUSING

Fig. 3 MAIN BEARING HOUSING



(A)=3T75HA
(B)=3T75HA-M
(C)=

(D)=
(E)=
(F)=

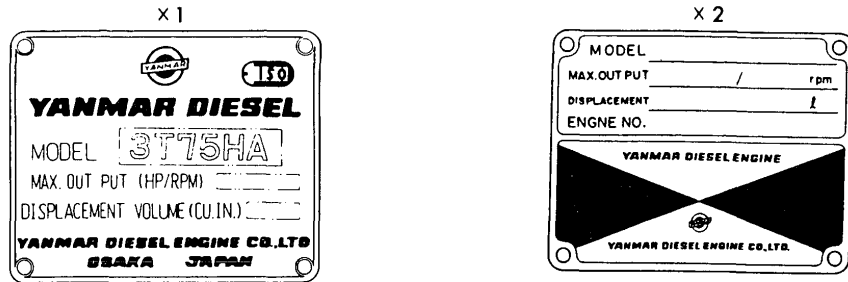
No.	Lev.	Parts No.	Description	Q'ty						I	R
				(A)	(B)	(C)	(D)	(E)	(F)		
1	1	721550-02500	HOUSING ASSY, METAL	1	1						
3	2	121550-02110	BEARING, MAIN	1	1						
4	2	121551-02220	SEAL, OIL	1	1						
5	1	721550-02610	HOUSING ASSY, METAL	1	1						
7	2	121250-02070	BOLT	2	2						
8	2	721550-02800	BEARING, MAIN	1	1						
9	1	721550-02620	HOUSING ASSY, METAL	1	1						
11	2	121250-02070	BOLT	2	2						
12	2	721550-02810	BEARING, MAIN	1	1						
13	1	121550-02300	BOLT	2	2						
14	1	24341-001350	O-RING, 1AS135.0	1	1						
15	1	26116-080202	BOLT, M8X 20 PLATED	6							
15-1	1	26013-080202	BOLT, M8X 20	6	6						N
(A=E/# 94480)											
16	1	22217-080000	WASHER, SPRING 8	6							Z
(A=E/# 94480)											
17	1	121520-02310	BEARING, 0.25 US	1	1						1
18	1	121550-02320	BEARING, 0.25 US	1	1						1
19	1	721550-02830	BEARING, 0.25 US	1	1						1
20	1	721550-02820	BEARING, 0.25 US	1	1						1

Fig.4. LABELS (FOR ENGINE)

(A)=3T75HA
(B)=3T75HA-M
(C)=

(D)=
(E)=
(F)=

Fig. 4 LABELS [For Engine]



No.	Lev.	Parts No.	Description	Q'ty						I	R
				(A)	(B)	(C)	(D)	(E)	(F)		
3	1	121254-07150	LABEL, WATER DRAIN	1	1						
4	1	124064-07160	LABEL, VALVE ADJUST.	1	1						
5	1	102210-07990	RIVET	4	4						
6	1	121454-12480	LABEL, PRE-CLEANER	1	1						
7	1	121454-12520	LABEL, AIR-CLEANER	1	1						
8	1	124764-44800	LABEL, RADIATOR	1	1						
10	1	124220-51890	RIVET	2	2						
11	1	124764-44920	LABEL, ANTI-FREEZING	1	1						
12	1	124764-44810	LABEL, RESERVE TANK	1	1						
13	1	124764-77980	LABEL, FUEL CAUTION	1	1						

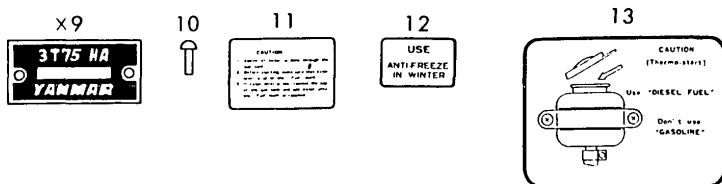
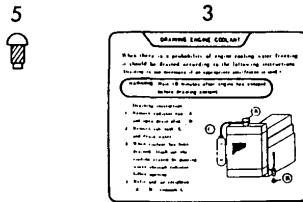
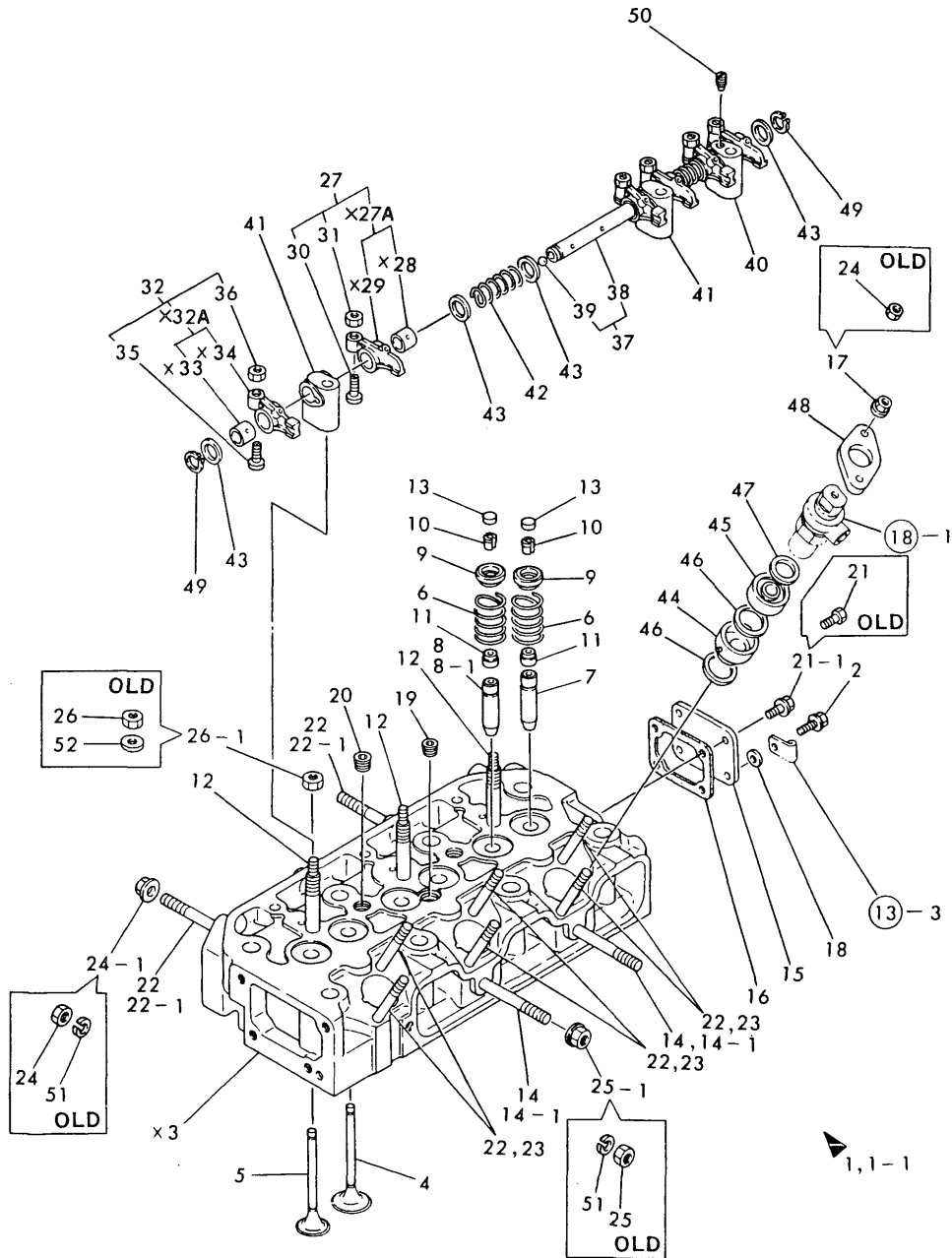


Fig.5. CYLINDER HEAD

Fig. 5 CYLINDER HEAD



(A)=3T75HA
(B)=3T75HA-M
(C)=

(D)=
(E)=
(F)=

No.	Lev.	Parts No.	Description	Qty						I	R
				(A)	(B)	(C)	(D)	(E)	(F)		
1	1	721522-11700	HEAD ASSY, CYLINDER	1							
1-1	1	721522-11701 (A=E/# 96679)	HEAD ASSY, CYLINDER	1	1						S
2	2	121250-01710	BOLT, SUMP M8X14	1							
2-1	2	26106-080142 (A=E/# 86878)	BOLT, M8X 14 PLATED	1	1						N
4	2	104211-11100	VALVE, INTAKE	3	3						
5	2	104211-11110	VALVE, EXHAUST	3	3						
6	2	124060-11120	SPRING, VALVE	6	6						
7	2	124060-11160	GUIDE, VALVE	3	3						
8	2	124060-11170	GUIDE, VALVE	3							
8-1	2	128272-11170 (A=E/# 96679)	GUIDE, VALVE	3	3						S
9	2	104200-11180	RETAINER, SPRING	6	6						
10	2	101158-11190	COTTER	6	6						
11	2	124950-11340	SEAL, VALVE STEM	6	6						
12	2	105225-11350	STUD	3	3						
13	2	104211-11370	CAP, VALVE	6	6						
14	2	26216-080602	STUD, M8X 60	2							
14-1	2	121450-11550 (A=FROM 1ST)	STUD, MANIFOLD	2	2						N
15	2	121450-11670	COVER, HEAD	1	1						
16	2	121450-11680	GASKET	1	1						
17	2	121465-11950 (A=E/# 86878)	NUT	6	6						W
18	2	22117-080000	WASHER, 8	1	1						
19	2	23873-020000	PLUG, R02	1							
19-1	2	23871-020000 (A=FROM 1ST)	PLUG, R02	1	1						N
20	2	23873-030000	PLUG, R03	2							
20-1	2	23871-030000 (A=FROM 1ST)	PLUG, R03	2	2						N
21	2	26116-080122	BOLT, M8X 12 PLATED	3							
21-1	2	26106-080122 (A=*1982.)	BOLT, M8X 12 PLATED	3	3						N
22	2	26216-080652	STUD, M8X 65	8							
22-1	2	26216-080652 (A=FROM 1ST)	STUD, M8X 65	2	2						K
23	2	26216-080702 (A=FROM 1ST)	STUD, M8X 70	6	6						W
24	2	26716-080002 (A=*1982.)	NUT, M8	8							
24-1	2	26366-080002	NUT, M8	2	2						N
25	2	26716-080002 (A=*1982.)	NUT, M8	2							
25-1	2	26366-080002	NUT, M8	2	2						N
26	2	26776-100002	NUT, LOCK M10	3							
26-1	2	26696-100002 (A=*1982.)	NUT, LOCK M10	3	3						N
27	1	721450-11650	ARM ASSY, ROCKER	3	3						
30	2	101158-11230	SCREW, VALVE ADJUST	3	3						

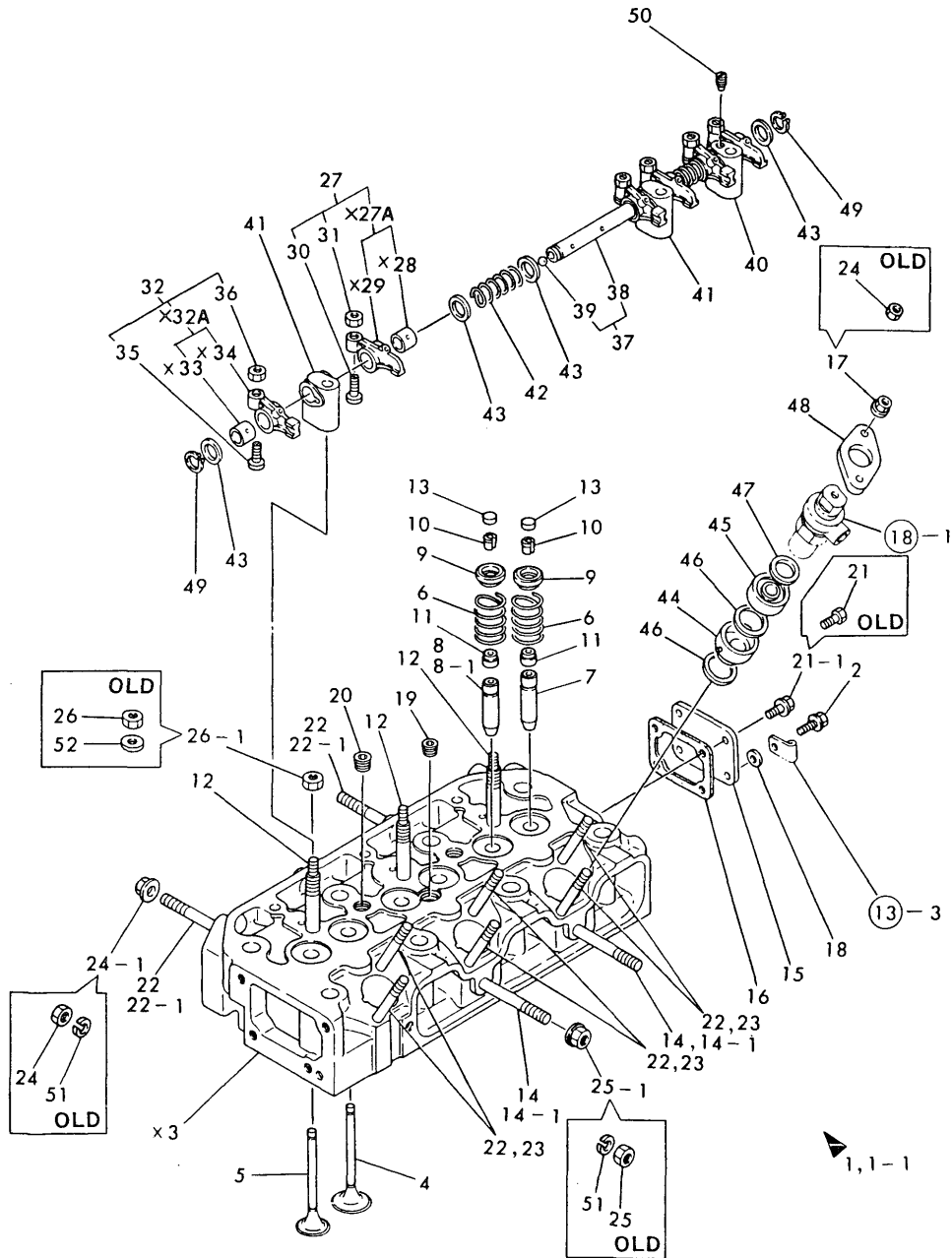
N:Old $\xrightarrow{\text{Yes}}$ New, Q:Old $\xrightarrow{\text{No}}$ New, R:Old $\xrightarrow{\text{Yes}}$ New, S:Old $\xrightarrow{\text{No}}$ New, W:Add, Z:Discontinued, F:Interchangeable by set, K:Q'ty Change
 ++ CONTINUE ++
 Copyright (C) YANMAR CO., LTD. All Rights Reserved.

Fig.5. CYLINDER HEAD

(A)=3T75HA
(B)=3T75HA-M
(C)=

(D)=
(E)=
(F)=

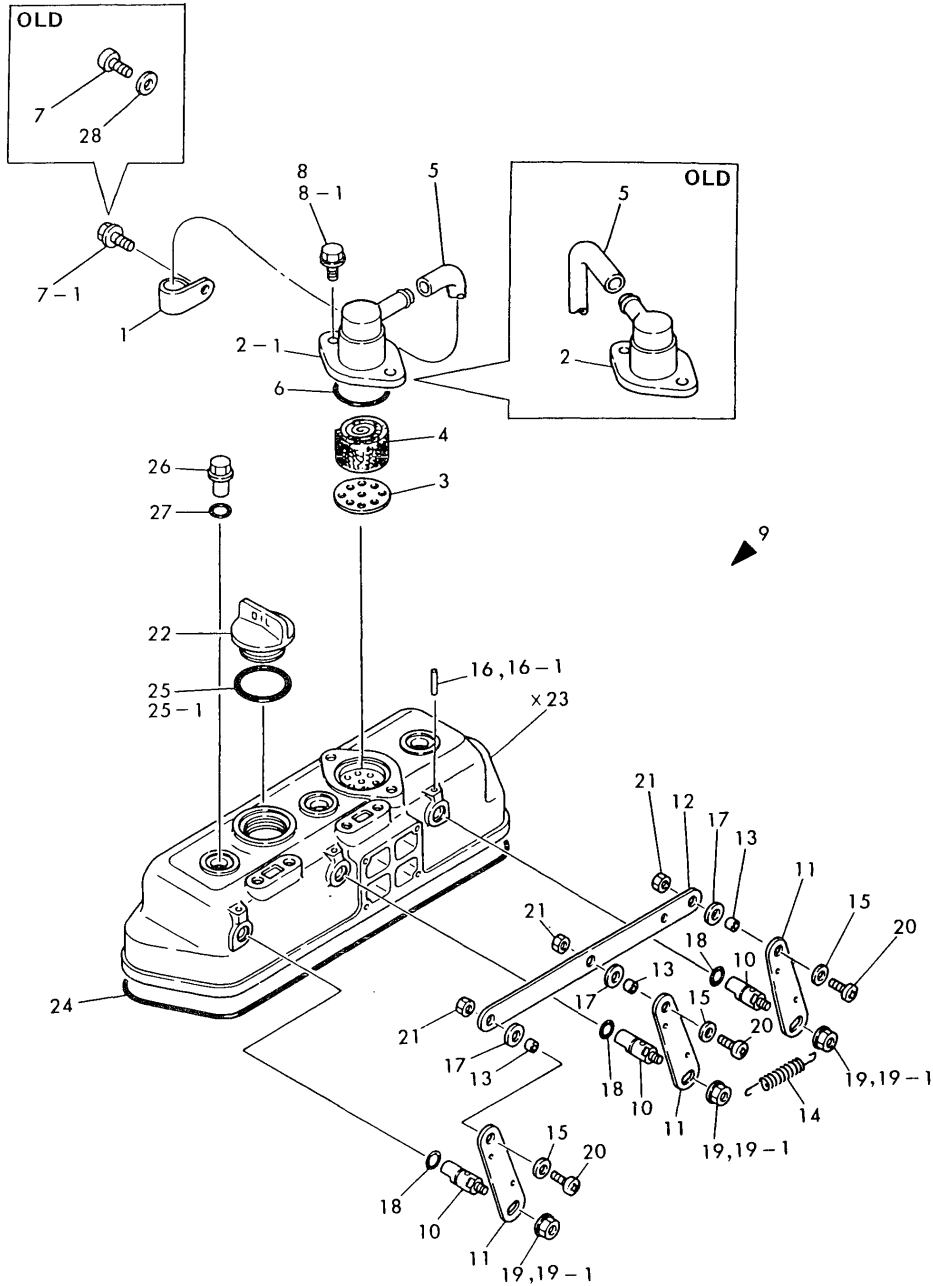
Fig. 5 CYLINDER HEAD



No.	Lev.	Parts No.	Description	Qty						I	R
				(A)	(B)	(C)	(D)	(E)	(F)		
31	2	26756-080002	NUT, LOCK M8	3	3						
32	1	721450-11660	ARM ASSY, ROCKER	3	3						
35	2	101158-11230	SCREW, VALVE ADJUST	3	3						
36	2	26756-080002	NUT, LOCK M8	3	3						
37	1	121550-11240	SHAFT ASSY, ROCKER	1	1						
38	2	121550-11250	SHAFT,ROCKER ARM	1	1						
39	2	24190-110001	BALL, STEEL 11/32	2	2						
40	1	121450-11260	SUPPORT, ROCKER ARM	1	1						
41	1	121450-11270	SUPPORT, ROCKER ARM	2	2						
42	1	121550-11280	SPRING	2	2						
43	1	121550-11290	WASHER	6	6						
44	1	121550-11400	CHAMBER	3	3						
45	1	121550-11411	CHAMBER	3	3						
46	1	121550-11451	GASKET, CHAMBER	6	6						
47	1	103854-11490	INSULATOR	3	3						
48	1	101147-11900	RETAINER	3	3						
49	1	22242-000140	RING, 14	2	2						
50	1	26921-080102	SCREW, M8X10	1	1						
51	1	22217-080000	WASHER, SPRING 8	4							Z
(A=*1982.)											
52	1	22137-100000	WASHER, 10	3	3						

Fig.6. BONNET & AIR BREATHER

Fig. 6 BONNET & AIR BREATHER



(A)=3T75HA
(B)=3T75HA-M
(C)=

(D)=
(E)=
(F)=

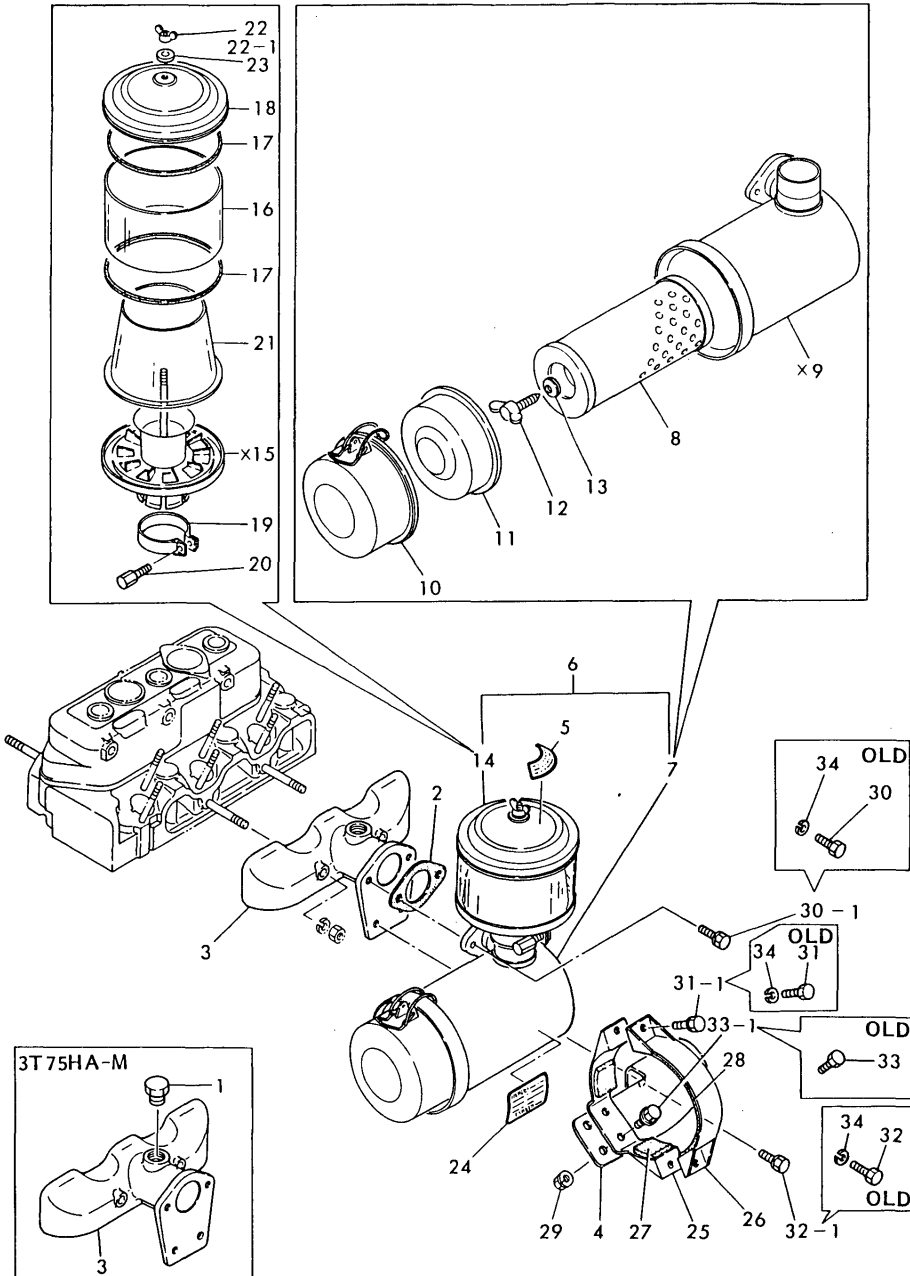
No.	Lev.	Parts No.	Description	Q'ty						I	R
				(A)	(B)	(C)	(D)	(E)	(F)		
1	1	124160-01650	CLAMP, PIPE	1	1						
2	1	121450-03011	BODY, BREATHER	1							
2-1	1	121450-03012	BODY, BREATHER	1	1						N
(A=*1982.08)											
3	1	121450-03020	BODY, BREATHER	1	1						
4	1	121450-03030	WOOL, STEEL	1	1						
5	1	23065-120500	PIPE, 12X 500	1	1						
6	1	24341-000400	O-RING, 1AS40.0	1	1						
7	1	26557-080102	SCREW, M8X10	1							
7-1	1	26106-080102	BOLT, M8X 10 PLATED	1	1						N
(A=E/# 86878)											
8	1	121250-01710	BOLT, SUMP M8X14		2						
8-1	1	26106-080162	BOLT, M8X 16 PLATED	2	2						N
(A=E/# 86878)											
9	1	721551-11520	BONNET ASSY, HEAD	1	1						
10	2	121450-03610	SHAFT, DECOMPRESSION	3	3						
11	2	121462-03740	LEVER, DECOMPRESSION	3	3						
12	2	121550-03760	CONNECTOR	1	1						
13	2	121450-03770	COLLAR	3	3						
14	2	104104-67300	SPRING, RETURN	1	1						
15	2	22117-050000	WASHER, 5	3	3						
16	2	22312-030220	PIN, PARALLEL M3X22	3							
16-1	2	22312-030220	PIN, PARALLEL M3X22	2	2						K
(A=E/# 86324)											
17	2	23418-080000	GASKET, 8X1.0	3	3						
18	2	24311-000070	O-RING, 1AP7.0	3	3						
19	2	160260-01800	NUT, M6	3							
19-1	2	26366-060002	NUT, M6	3	3						N
(A=E/# 86878)											
20	2	26557-050122	SCREW, M5X12	3	3						
21	2	26756-050002	NUT, LOCK M5	3	3						
22	2	124160-01751	COVER, FILLER	1	1						
24	2	121550-11310	GASKET, BONNET	1	1						
25	2	121420-01760	O-RING	1							
25-1	2	24311-000320	O-RING, 1AP32.0	1	1						N
(A=E/# 93876)											
26	1	124160-11360	KNOB	3	3						
27	1	24311-000120	O-RING, 1AP12.0	3	3						
28	1	22117-080000	WASHER, 8	1							Z
(A=E/# 86878)											

Fig.7. AIR CLEANER

(A)=3T75HA
(B)=3T75HA-M
(C)=

(D)=
(E)=
(F)=

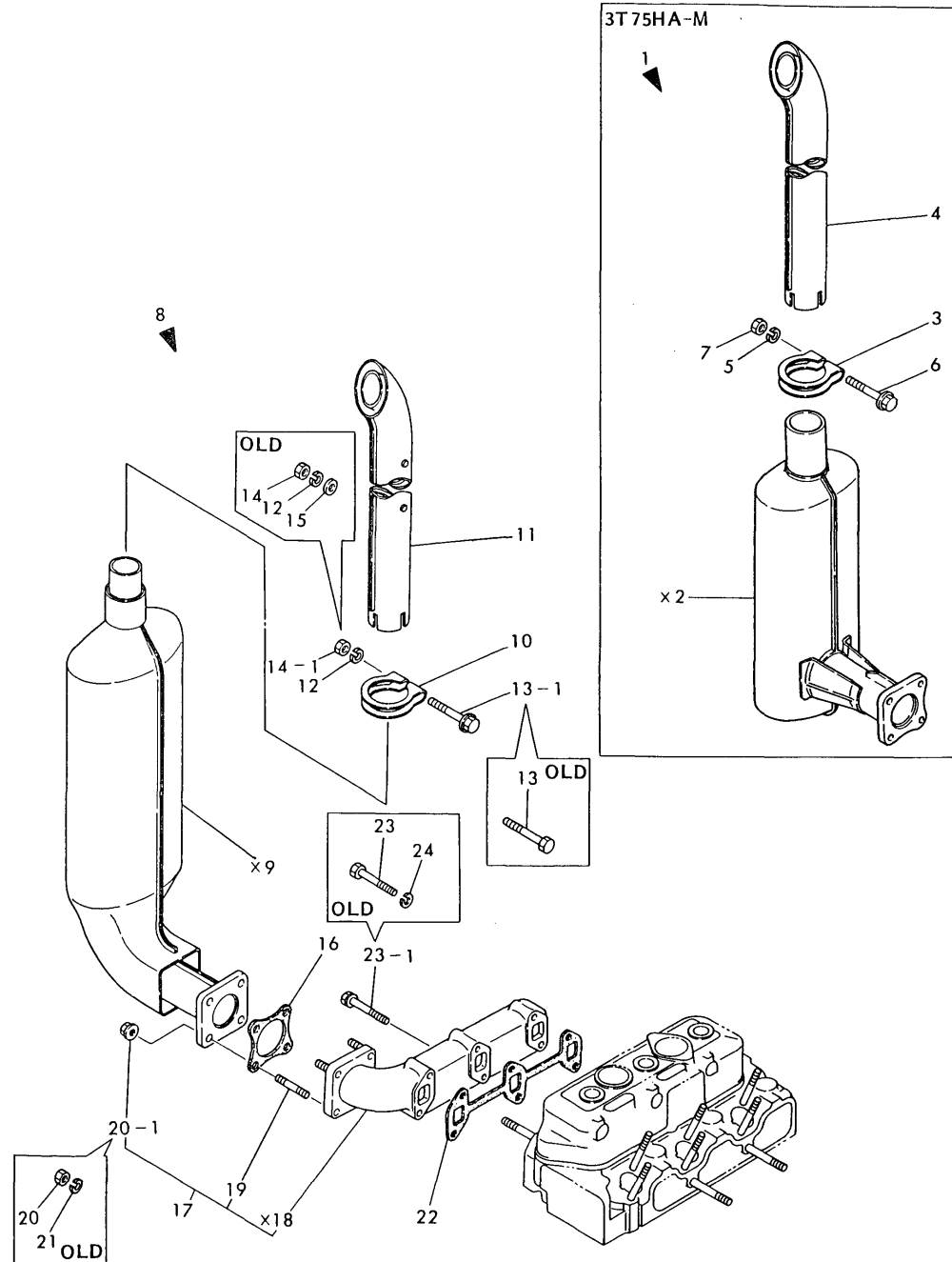
Fig. 7 AIR CLEANER



No.	Lev.	Parts No.	Description	Qty						I	R
				(A)	(B)	(C)	(D)	(E)	(F)		
1	1	124450-11320	PLUG		1						
2	1	124067-12050	GASKET	1	1						
3	1	121554-12100	MANIFOLD, AIR INTAKE	1	1						
4	1	121454-12110	BRACKET, AIR CLEANER	1	1						
5	1	121454-12480	LABEL, PRE-CLEANER	1	1						
6	1	121454-12500	CLEANER, AIR	1	1						
7	2	121454-12300	CLEANER, AIR	1	1						
8	3	124064-12510	ELEMENT	1	1						
10	3	121454-12660	PAN, DUST	1	1						
11	3	124064-12670	BAFFLE ASSY	1	1						
12	3	124064-12680	BOLT	1	1						
13	3	124064-12690	WASHER	1	1						
14	2	124064-12400	CLEANER ASSY, PRE	1	1						
16	3	124064-12420	TUBE	1	1						
17	3	124064-12430	GASKET	2	2						
18	3	124064-12440	COVER	1	1						
19	3	124064-12450	CLAMP	1	1						
20	3	124064-12460	BOLT	1	1						
21	3	124064-12470	CASE	1	1						
22	3	101147-12550	NUT	1							
22-1	3	124450-12560	NUT	1	1						N
(A=FROM 1ST)											
23	3	124450-12571	WASHER	1	1						
24	1	121454-12520	LABEL, AIR-CLEANER	1	1						
25	1	121454-12550	BRACKET	1	1						
26	1	124064-12560	SUPPORT	1	1						
27	1	124064-12570	SEAT, RUBBER	2	2						
28	1	124064-12580	SEAT, RUBBER	1	1						
29	1	194990-22050	NUT, M8	2	2						
30	1	26116-080202	BOLT, M8X 20 PLATED	2							
30-1	1	26013-080202	BOLT, M8X 20	2	2						N
(A=*1982.)											
31	1	26116-080252	BOLT, M8X 25 PLATED	2							
31-1	1	26013-080252	BOLT, M8X 25	2	2						N
(A=*1982.)											
32	1	26116-080252	BOLT, M8X 25 PLATED	2							
32-1	1	26013-080252	BOLT, M8X 25	2	2						N
(A=*1982.)											
33	1	26116-080162	BOLT, M8X 16 PLATED	2							
33-1	1	26106-080162	BOLT, M8X 16 PLATED	2	2						N
(A=*1982.)											
34	1	22217-080000	WASHER, SPRING 8	6							Z
(A=*)											

Fig.8. SILENCER

Fig. 8 SILENCER



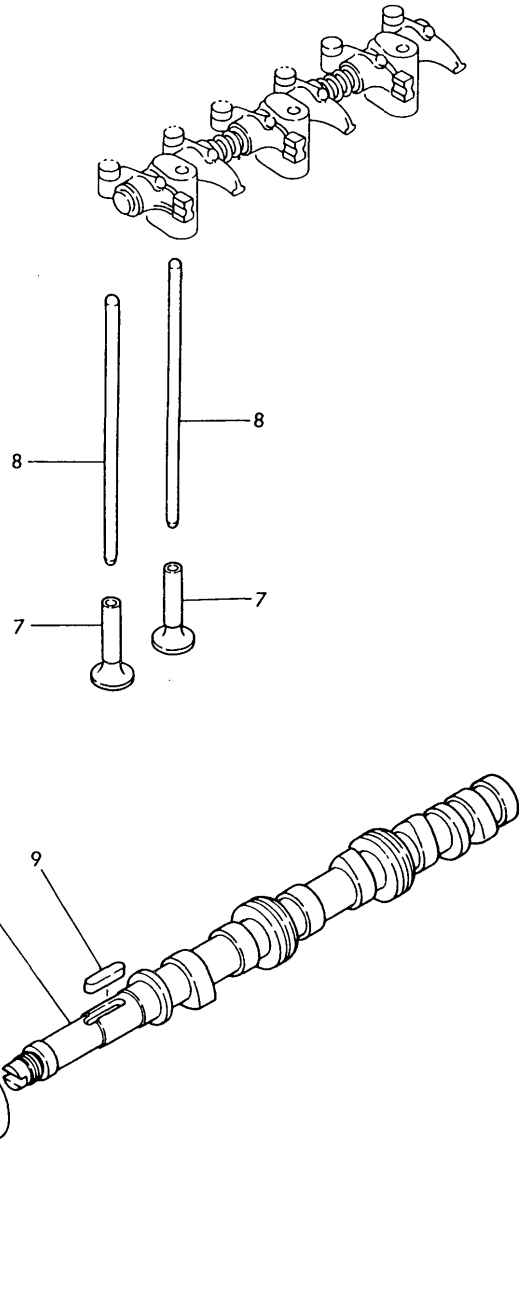
(A)=3T75HA
(B)=3T75HA-M
(C)=

(D)=
(E)=
(F)=

No.	Lev.	Parts No.	Description	Q'ty						I	R
				(A)	(B)	(C)	(D)	(E)	(F)		
1	1	121454-13491	SILENCER ASSY		1						
3	2	121470-13580	CLAMP		1						
4	2	121454-13651	PIPE		1						
5	2	22217-100000	WASHER, SPRING 10		1						
6	2	26106-100652	BOLT, M10X 65 PLATED		1						
7	2	26706-100002	NUT, M10		1						
8	1	129350-13490	SILENCER ASSY		1						
10	2	121470-13580	CLAMP		1						
11	2	124465-13652	PIPE		1						
12	2	22217-100000	WASHER, SPRING 10		1						
13	2	26116-100652	BOLT, M10X 65 PLATED		1						
13-1	2	26106-100652	BOLT, M10X 65 PLATED		1						N
(A=*1982.)											
14	2	26716-100002	NUT, M10		1						
14-1	2	26706-100002	NUT, M10		1						N
(A=*1982.)											
15	2	22217-100000	WASHER, 10		1						Z
(A=*1982.)											
16	1	121450-13200	GASKET, SILENCER	1	1						
17	1	721551-13500	MANIFOLD ASSY	1	1						
19	2	26216-080222	STUD, M8X 22	4	4						
20	2	26716-080002	NUT, M8	4							
20-1	2	26366-080002	NUT, M8	4	4						N
(A=*1982.)											
21	2	22217-080000	WASHER, SPRING 8	4							Z
(A=*1982.)											
22	1	121550-13520	GASKET	1	1						
23	1	26116-080582	BOLT M 8X 58 PLATED	4							
23-1	1	121465-13582	BOLT, M8X58	4	4						N
(A=E/# 86878)											
24	1	22217-080000	WASHER, SPRING 8	4							Z
(A=E/# 86878)											

Fig.9. CAMSHAFT

Fig. 9 CAMSHAFT



(A)=3T75HA
(B)=3T75HA-M
(C)=

(D)=
(E)=
(F)=

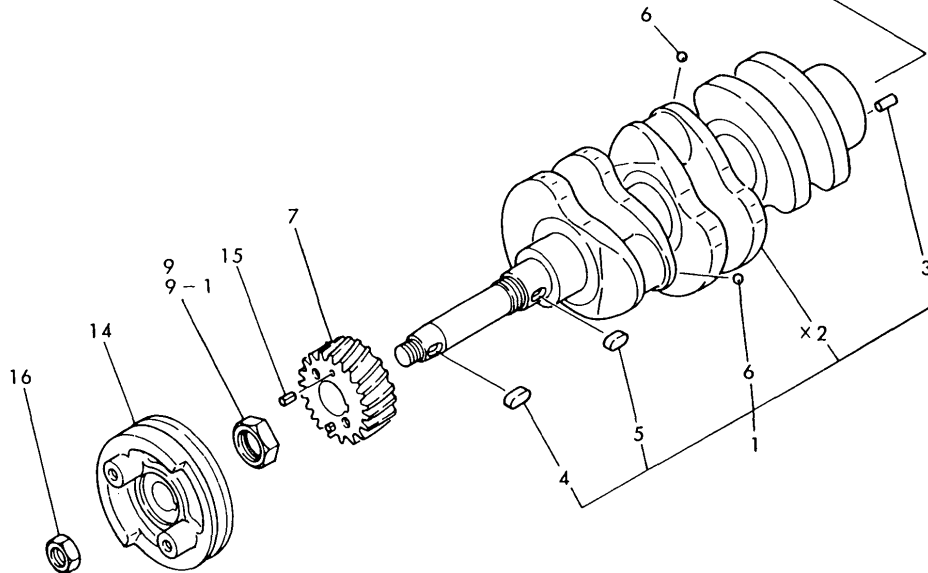
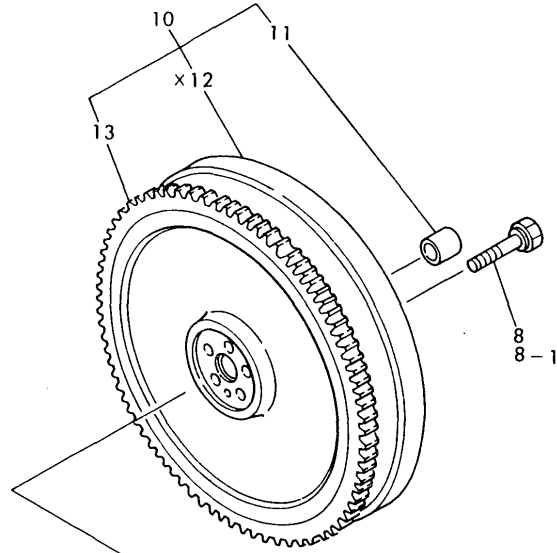
No.	Lev.	Parts No.	Description	Q'ty						I	R
				(A)	(B)	(C)	(D)	(E)	(F)		
1	1	24101-062054	BEARING, BALL 6205	1	1						
2	1	26587-080122	SCREW, M8X12	1							
2-1	1	26587-080102	SCREW, M8X10	1	1						N
2-2	1	26587-080122	SCREW, M8X12	1	1						N
		(A=") (A=E/# A1808)	(B=E/# A1808)								
3	1	121550-14010	CAMSHAFT	1	1						
4	1	121450-14090	CAM, FUEL	1	1						
5	1	129350-14100	GEAR, CAMSHAFT	1	1						
6	1	121450-14120	NUT	1	1						
7	1	104200-14200	TAPPET	6	6						
8	1	121550-14400	ROD, PUSH	6	6						
9	1	22512-070300	KEY, 7X 30	1	1						

Fig.10. CRANKSHAFT & FLYWHEEL

(A)=3T75HA
(B)=3T75HA-M
(C)=

(D)=
(E)=
(F)=

Fig. 10 CRANKSHAFT & FLYWHEEL



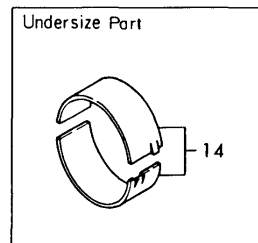
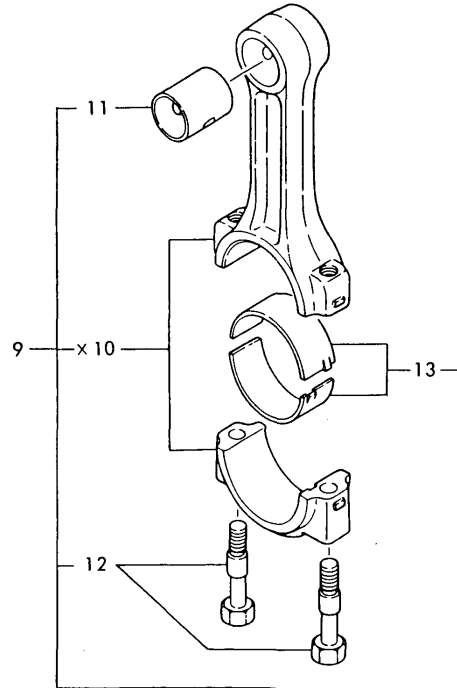
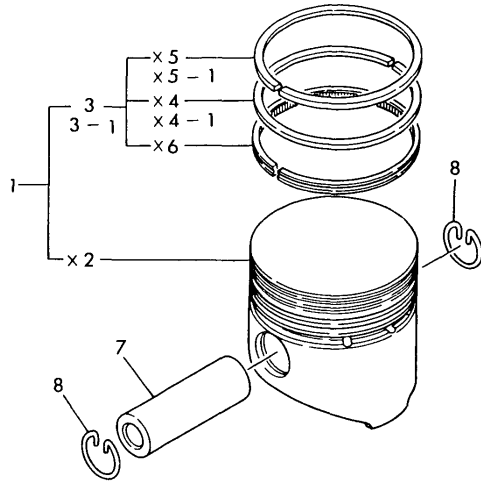
No.	Lev.	Parts No.	Description	Q'ty						I	R
				(A)	(B)	(C)	(D)	(E)	(F)		
1	1	721500-21700	CRANKSHAFT ASSY	1	1						
3	2	22312-080160	PIN, PARALLEL M8X16	1	1						
4	2	22512-070180	KEY, 7X 18	1	1						
5	2	22512-070180	KEY, 7X 18	1	1						
6	2	24190-080001	BALL, STEEL 1/4	3	3						
7	1	129350-21200	GEAR, CRANKSHAFT	1	1						
8	1	105225-21500	BOLT, FLYWHEEL		5						
8-1	1	105225-21501	BOLT, FLYWHEEL		5						N
(A=E/# 87718)											
9	1	121450-21540	NUT, CRANKSHAFT GEAR	1							
9-1	1	121450-21541	NUT, CRANKSHAFT GEAR	1	1						N
(A=E/# 88245)											
10	1	121551-21590	FLYWHEEL ASSY	1	1						
11	2	124450-21230	BUSH	1	1						
13	2	129350-21600	GEAR, RING	1	1						
14	1	121551-21650	V-PULLEY	1	1						
15	1	22351-040008	PIN, SPRING 4.0X 8	2	2						
16	1	26776-180002	NUT, LOCK M18	1	1						

Fig.11. PISTON & CONNECTING ROD

(A)=3T75HA
(B)=3T75HA-M
(C)=

(D)=
(E)=
(F)=

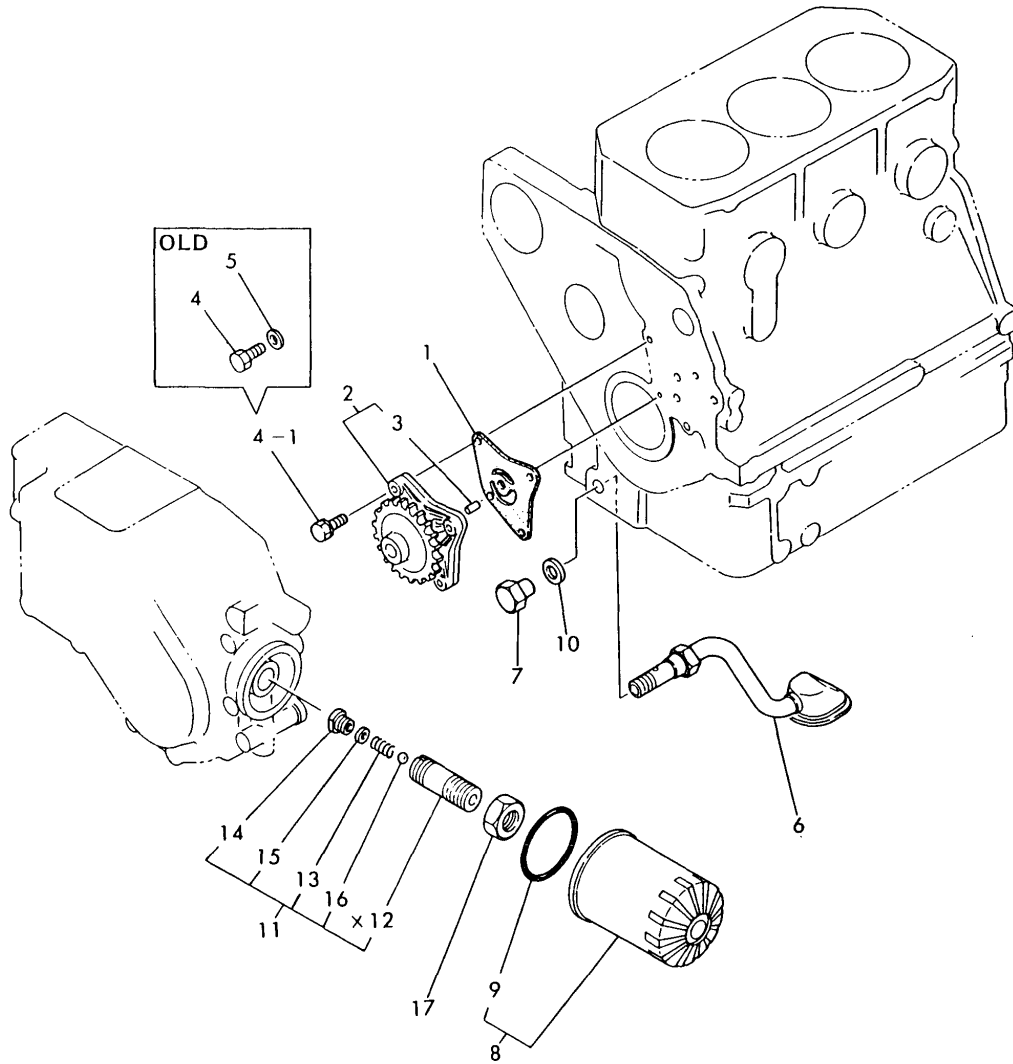
Fig. 11 PISTON & CONNECTING ROD



No.	Lev.	Parts No.	Description	Qty						I	R	
				(A)	(B)	(C)	(D)	(E)	(F)			
1	1	121550-22090	PISTON ASSY	3	3							
3	2	705311-22500	RING SET, PISTON	3								
3-1	2	705311-22501	RING SET, PISTON	3	3							N
(A=E/# 93876)												
7	1	104200-22300	PIN, PISTON	3	3							
8	1	172100-22400	CIRCLIP	6	6							
9	1	721550-23100	ROD ASSY, CONNECTING	3	3							
11	2	124060-23100	BEARING, PISTON PIN	3	3							
12	2	121550-23200	BOLT, CONNECTING ROD	6	6							
13	2	721550-23600	BEARING, CRANK PIN	3	3							
14	1	121550-23350	BEARING, 0.25 US	3	3							1

Fig.12. LUBRICATING OIL PUMP

Fig. 12 LUBRICATING OIL PUMP



(A)=3T75HA
(B)=3T75HA-M
(C)=

(D)=
(E)=
(F)=

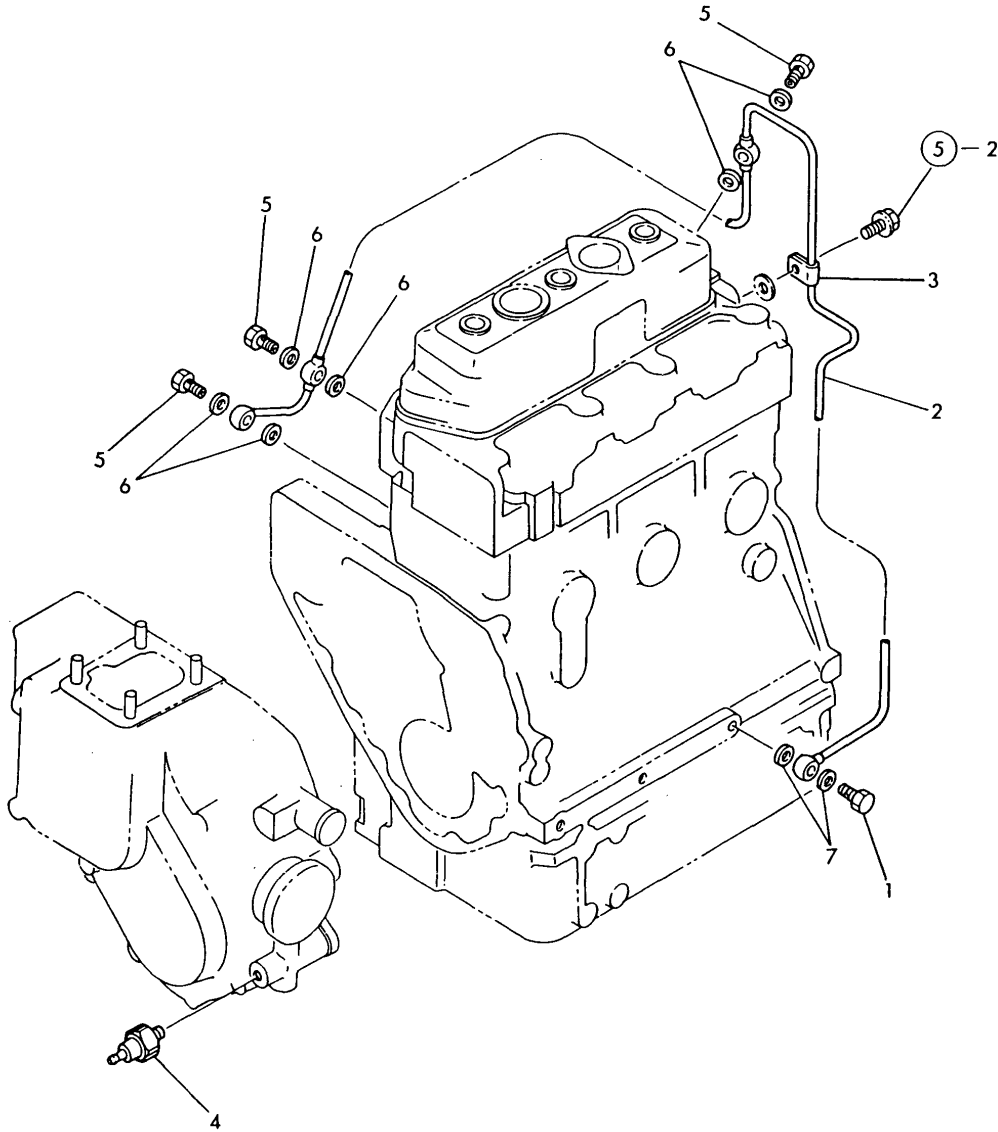
No.	Lev.	Parts No.	Description	Q'ty						I	R
				(A)	(B)	(C)	(D)	(E)	(F)		
1	1	121450-32021	GASKET, PUMP	1	1						
2	1	129350-32090	PUMP ASSY, OIL	1	1						
3	2	121450-32050	PIN	1	1						
4	1	26116-060222	BOLT, M6X 22 PLATED	3							
4-1	1	26013-060222	BOLT, M6X 22	3	3						N
		(A=E/# 86878)									
5	1	22117-060000	WASHER, 6	3							Z
		(A=E/# 86878)									
6	1	121520-35090	PIPE ASSY, OIL INLET	1	1						
7	1	121550-35100	NUT, CAP PF1/4	1	1						
8	1	124450-35100	FILTER, OIL	1	1						
9	2	124450-35110	O-RING	1	1						
10	1	121550-35110	GASKET, 18	1	1						
11	1	124085-35300	VALVE ASSY, CONTROL	1	1						
13	2	121250-35320	SPRING, VALVE	1	1						
14	2	121250-35330	RETAINER, SPRING	1	1						
15	2	121250-35340	SHIM	1	1						
16	2	24190-100001	BALL, STEEL 5/16	1	1						
17	1	124085-35350	NUT, M20	1	1						

Fig.13. LUBRICATING OIL LINES

(A)=3T75HA
(B)=3T75HA-M
(C)=

(D)=
(E)=
(F)=

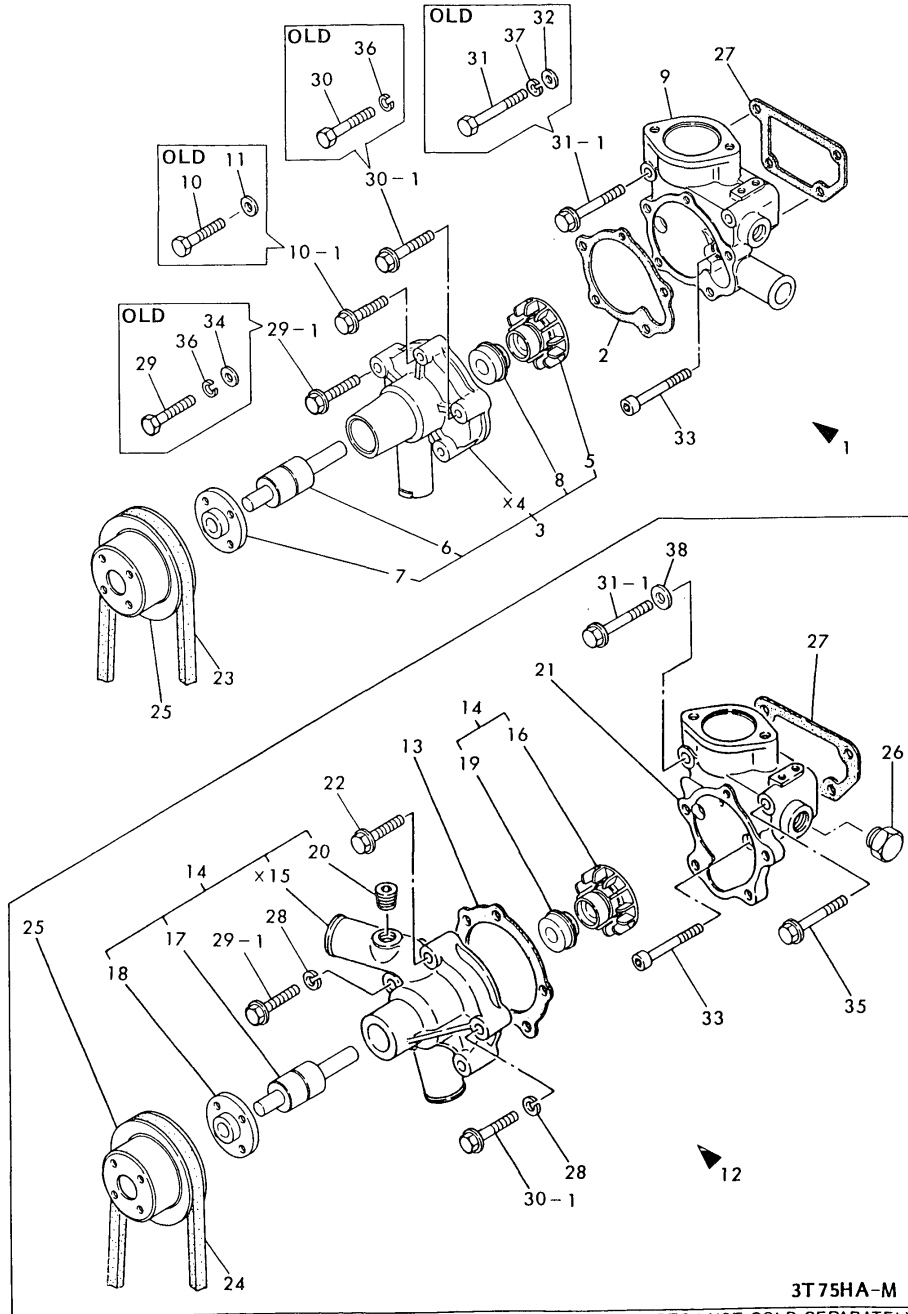
Fig. 13 LUBRICATING OIL LINES



No.	Lev.	Parts No.	Description	Qty						I	R
				(A)	(B)	(C)	(D)	(E)	(F)		
1	1	124160-39140	BOLT, PIPE JOINT M10	1	1						
2	1	121550-39200	PIPE, OIL	1	1						
3	1	124450-39240	RETAINER, PIPE	1	1						
4	1	124160-39450	SWITCH, 0.5KG	1	1						
5	1	124550-59820	BOLT, PIPE JOINT M8	3	3						
6	1	23414-080000	GASKET, 8X1.0	6	6						
7	1	23414-100000	GASKET, 10X1.0	2	2						

Fig.14. COOLING WATER PUMP

Fig. 14 COOLING WATER PUMP



X-MARK PARTS : NOT SOLD SEPARATELY

(A)=3T75HA
(B)=3T75HA-M
(C)=

(D)=
(E)=
(F)=

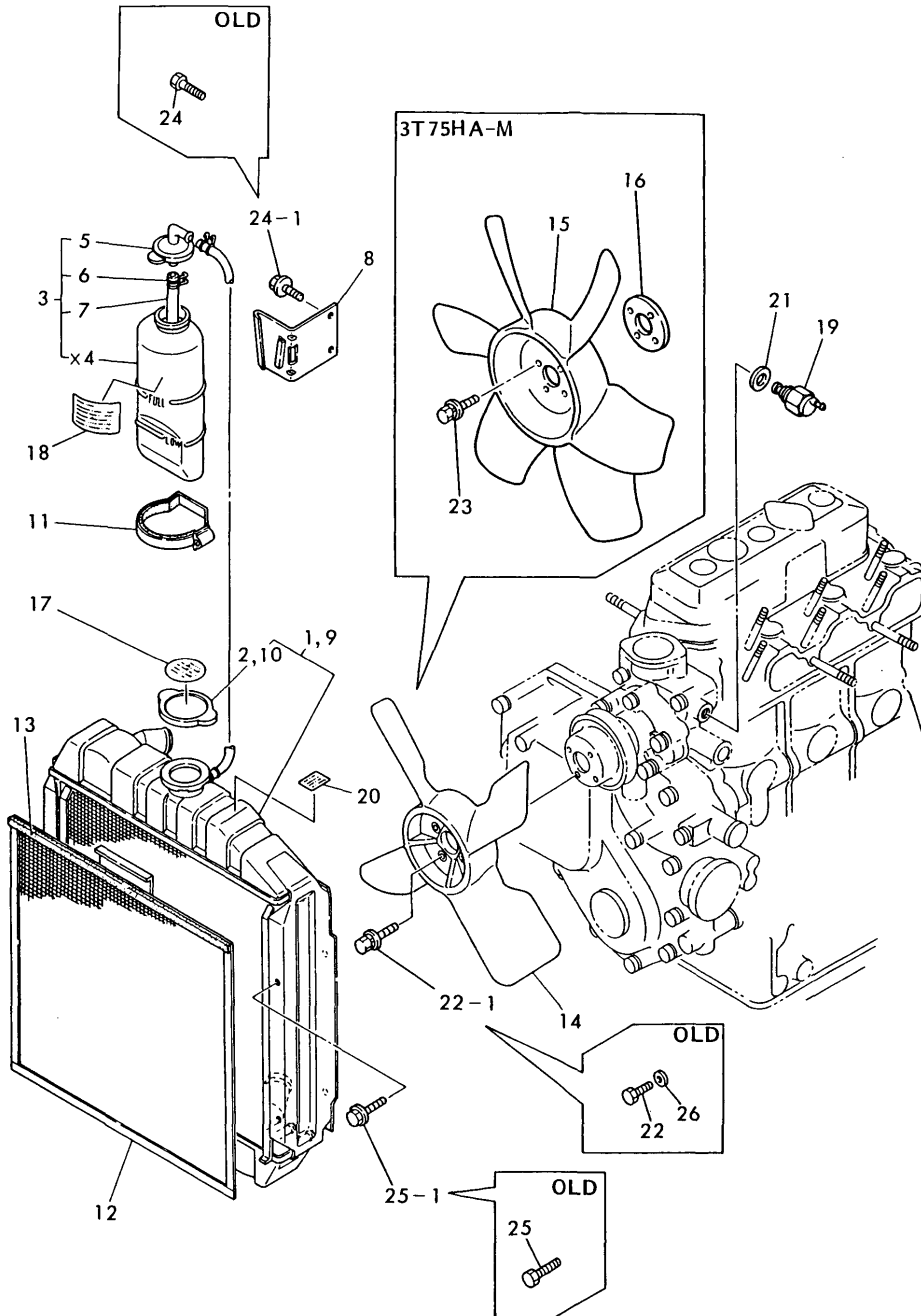
No.	Lev.	Parts No.	Description	Qty						I	R
				(A)	(B)	(C)	(D)	(E)	(F)		
1	1	121554-42010	PUMP ASSY, WATER	1							
2	2	121450-42050	GASKET, WATER PUMP	1							
3	2	121023-42100	PUMP ASSY, WATER	1							
5	3	129350-42200	IMPELLER	1							
6	3	121450-42240	BEARING, SHAFT	1							
7	3	121450-42260	FLANGE, V-PULLEY	1							
8	3	121450-42310	SEAL, MECHANICAL	1							
9	2	121554-42120	BRACKET, PUMP	1							
10	2	26116-060352	BOLT, M6X 35 PLATED	1							
10-1	2	26106-060322	BOLT, M6X 32 PLATED	1							N
		(A=*1982.)									
11	2	22117-060000	WASHER, 6	1							Z
		(A=*1982.)									
12	1	121554-42020	PUMP ASSY, WATER		1						
13	2	121000-42051	GASKET, WATER PUMP		1						
14	2	121000-42100	PUMP ASSY, WATER		1						
16	3	129350-42200	IMPELLER		1						
17	3	121450-42240	BEARING, SHAFT		1						
18	3	121450-42260	FLANGE, V-PULLEY		1						
19	3	121450-42310	SEAL, MECHANICAL		1						
20	3	23871-030000	PLUG, R03		1						
21	2	121554-42140	BRACKET, PUMP		1						
22	2	26106-060322	BOLT, M6X 32 PLATED		1						
23	1	121023-42290	V-BELT, AX33		1						
24	1	129350-42290	V-BELT, A33.5		1						
25	1	121450-42350	V-PULLEY		1	1					
26	1	121450-42450	PLUG, M16		1						
27	1	121450-44410	GASKET		1	1					
28	1	22217-080000	WASHER, SPRING 8			4					
29	1	26116-080402	BOLT, M8X 40 PLATED		3						
29-1	1	26106-080382	BOLT, M8X 38 PLATED		3	3					N
		(A=E/# 86878)									
30	1	26116-080452	BOLT, M8X 45 PLATED		1						
30-1	1	26106-080402	BOLT, M8X 40 PLATED		1	1					N
		(A=E/# 86878)									
31	1	26116-080602	BOLT, M8X 60 PLATED		2						
31-1	1	26106-080552	BOLT, M8X 55 PLATED		2	1					N
		(A=*1982.)									
32	1	22117-080000	WASHER, 8		2						Z
		(A=*1982.)									
33	1	26450-080452	BOLT, M8X 45		2	2					
34	1	22117-080000	WASHER, 8		3						Z
		(A=E/# 86878)									
35	1	26106-080602	BOLT, M8X 60 PLATED			1					
36	1	22217-080000	WASHER, SPRING 8		4						Z
		(A=E/# 86878)									
37	1	22217-080000	WASHER, SPRING 8		2						Z
		(A=*1982.)									
38	1	43400-500410	SEAL WASHER 8		1						W
		(B=E/# A1397)									

Fig.15. RADIATOR

(A)=3T75HA
(B)=3T75HA-M
(C)=

(D)=
(E)=
(F)=

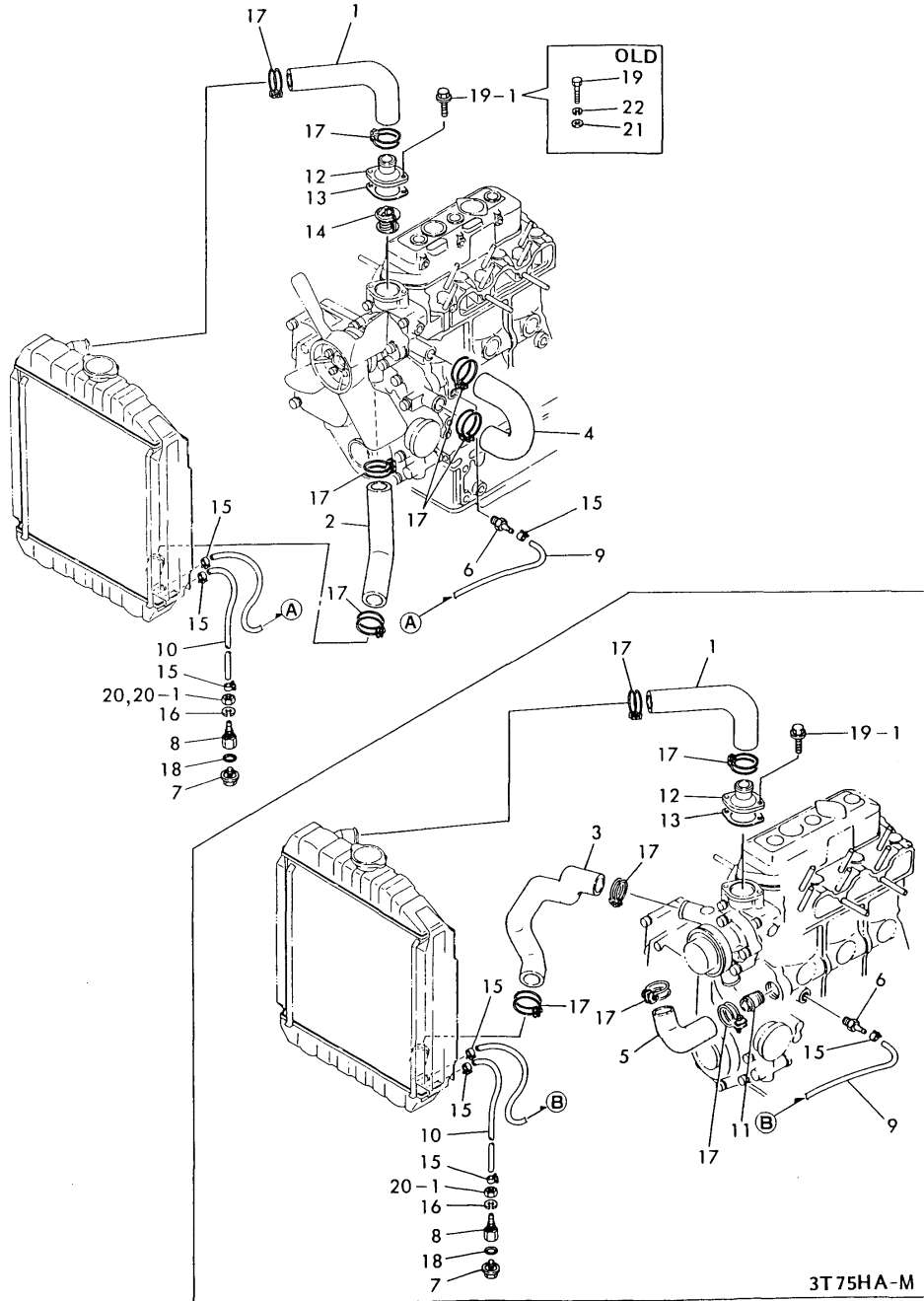
Fig. 15 RADIATOR



No.	Lev.	Parts No.	Description	Q'ty						I	R
				(A)	(B)	(C)	(D)	(E)	(F)		
1	1	121554-44500	RADIATOR	1							
2	2	124450-44590	CAP, RADIATOR	1							
3	1	121520-44510	TANK ASSY, SUB	1	1						
5	2	121450-44530	CAP	1	1						
6	2	124450-44560	RETAINER	1	1						
7	2	23065-070145	PIPE, 7X 145	1	1						
8	1	121554-44540	BRACKET	1	1						
9	1	121554-44550	RADIATOR		1						
10	2	124450-44590	CAP, RADIATOR		1						
11	1	121750-44550	BAND, TANK	1	1						
12	1	121462-44580	SCREEN, RADIATOR	1	1						
13	1	121454-44590	PAD, URETHANE	1	1						
14	1	121450-44740	FAN, COOLING	1							
15	1	121520-44740	FAN, COOLING D325		1						
16	1	129350-44760	SPACER		1						
17	1	124764-44800	LABEL, RADIATOR	1	1						
18	1	124764-44810	LABEL, RESERVE TANK	1	1						
19	1	121250-44901	SWITCH, 110	1	1						
20	1	124764-44920	LABEL, ANTI-FREEZING	1	1						
21	1	124465-44950	GASKET, 16	1	1						
22	1	26116-060162	BOLT, M6X 16 PLATED	4							
22-1	1	26014-060182	BOLT, M6X 18	4							N
(A=E/# 92623)											
23	1	26014-060302	BOLT, M6X 30		4						
24	1	26116-060102	BOLT, M6X 10 PLATED	2							
24-1	1	26106-060122	BOLT, M6X 12 PLATED	2	2						N
(A=E/# 93459)											
25	1	26116-080122	BOLT, M8X 12 PLATED	4							
25-1	1	26106-080122	BOLT, M8X 12 PLATED	4	4						N
(A=*1982.)											
26	1	22117-060000	WASHER, 6	4							Z
(A=E/# 92623)											

Fig.16. COOLING WATER LINES

Fig. 16 COOLING WATER LINES



(A)=3T75HA
(B)=3T75HA-M
(C)=

(D)=
(E)=
(F)=

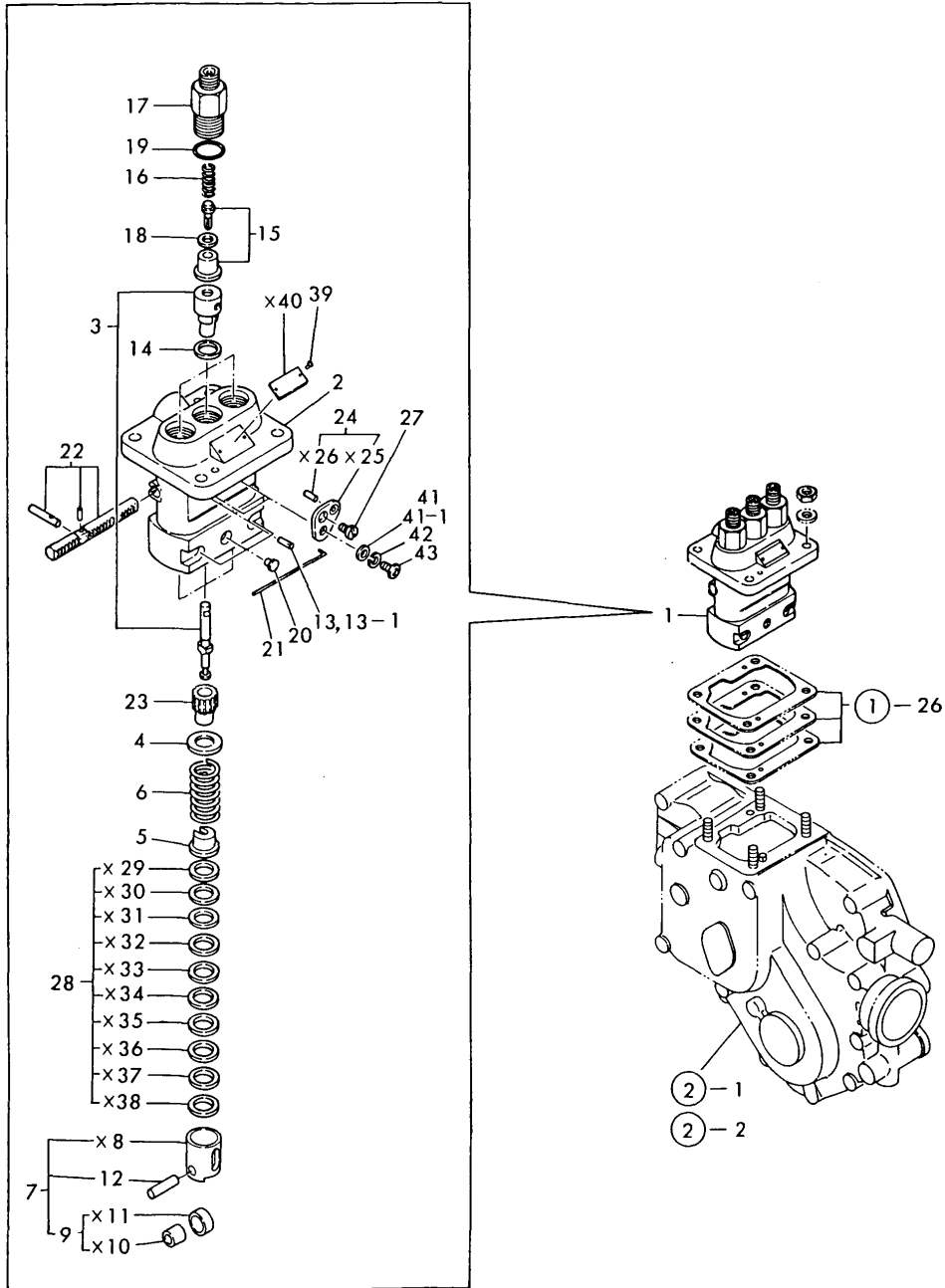
No.	Lev.	Parts No.	Description	Q'ty						I	R
				(A)	(B)	(C)	(D)	(E)	(F)		
1	1	129350-49010	PIPE, WATER	1	1						
2	1	121450-49020	PIPE, WATER	1							
3	1	121554-49020	PIPE, WATER		1						
4	1	121450-49030	PIPE, WATER	1							
5	1	121554-49040	PIPE, WATER		1						
6	1	121550-49111	JOINT, PT1/4	1	1						
7	1	129350-49120	PLUG, DRAIN	1	1						
8	1	129350-49130	BODY	1	1						
9	1	121250-49160	PIPE, WATER DRAIN	1	1						
10	1	121454-49160	PIPE, WATER DRAIN	1	1						
11	1	124160-49480	JOINT, PIPE		1						
12	1	129350-49530	COVER, THERMOSTAT	1	1						
13	1	129350-49540	GASKET	1	1						
14	1	129350-49800	THERMOSTAT, 71	1							
15	1	124766-59050	CLIP, HOSE 12	4	4						
16	1	22217-100000	WASHER, SPRING 10	1	1						
17	1	23010-038000	CLAMP, 38	6	6						
18	1	24311-000120	O-RING, 1AP12.0	1	1						
19	1	26116-080222	BOLT, M8X 22 PLATED	2							
19-1	1	26106-080182	BOLT, M8X 18 PLATED	2	2						N
(A=*1982.)											
20	1	26776-100002	NUT, LOCK M10	1							
20-1	1	26696-100002	NUT, LOCK M10	1	1						N
(A=*1982.)											
21	1	22117-080000	WASHER, 8	2							Z
(A=*1982.)											
22	1	22217-080000	WASHER, SPRING 8	2							Z
(A=*1982.)											

Fig.17. FUEL INJECTION PUMP

(A)=3T75HA
(B)=3T75HA-M
(C)=

(D)=
(E)=
(F)=

Fig. 17 FUEL INJECTION PUMP



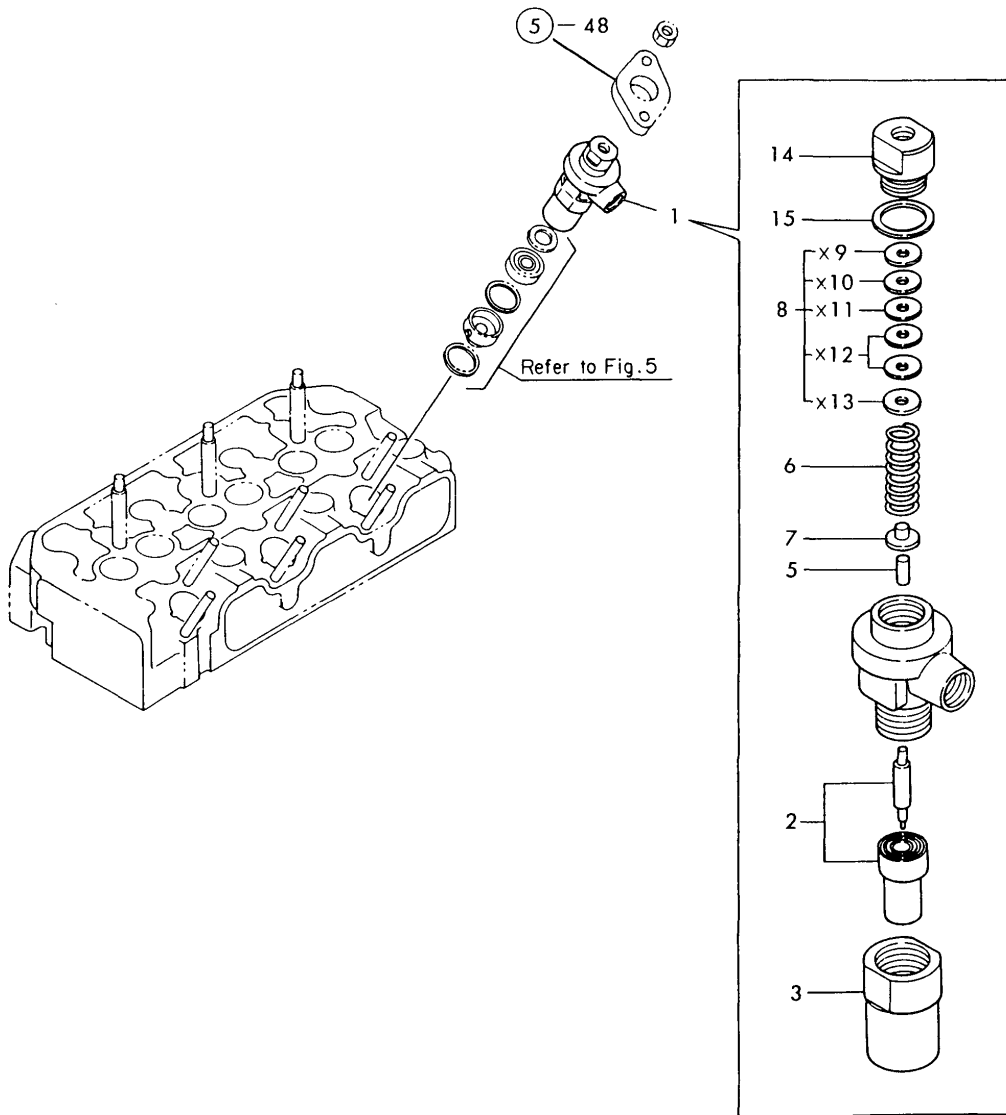
No.	Lev.	Parts No.	Description	Q'ty						I	R
				(A)	(B)	(C)	(D)	(E)	(F)		
1	1	721550-51700	PUMP ASSY, INJECTION	1	1						
2	2	121450-51010	BODY ASSY, PUMP	1	1						
3	2	121550-51100	PLUNGER ASSY	3	3						
4	2	174307-51170	RETAINER, SPRING A	3	3						
5	2	174307-51181	RETAINER, SPRING B	3	3						
6	2	124950-51190	SPRING, PLUNGER	3	3						
7	2	724550-51520	GUIDE, PLUNGER	3	3						
9	3	711100-51540	ROLLER ASSY	3	3						
12	3	174100-54120	PIN	3	3						
13-1	2	103854-51251	PIN, PLUNGER	1	1						
14	2	124950-51270	GASKET	3	3						
15	2	124060-51300	VALVE ASSY, DELIVERY	3	3						
16	2	124550-51320	SPRING, DELIVERY	3	3						
17	2	124550-51341	HOLDER, DELIVERY L43	3	3						
18	2	124550-51350	GASKET, DELIVERY	3	3						
19	2	124550-51370	O-RING	3	3						
20	2	124950-51450	PIECE, GUIDE	3	3						
21	2	121150-51460	PIN, GUIDE	1	1						
22	2	121450-51500	RACK, CONTROL	1	1						
23	2	124950-51510	PINION	3	3						
24	2	124950-51640	PLATE ASSY, ADJUST	2	2						
27	2	103854-51660	SCREW	2	2						
28	2	174307-51700	SHIM SET	3	3						
39	2	124220-51890	RIVET	2	2						
41	2	22137-050000	WASHER, 5	2							
41-1	2	22117-050000	WASHER, 5	2	2						N
(A=E/# 98751)											
42	2	22217-050000	WASHER, SPRING 5	2	2						
43	2	26587-050102	SCREW, M5X10	2	2						

Fig.18. FUEL INJECTION VALVE

(A)=3T75HA
(B)=3T75HA-M
(C)=

(D)=
(E)=
(F)=

Fig. 18 FUEL INJECTION VALVE



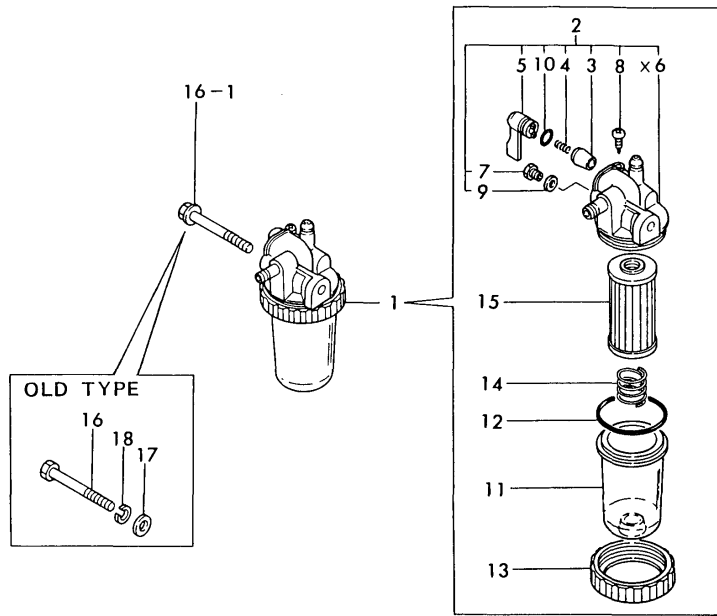
No.	Lev.	Parts No.	Description	Q'ty						I	R
				(A)	(B)	(C)	(D)	(E)	(F)		
1	1	724060-53101	VALVE ASSY,INJECTION	1	1						
2	2	124770-53000	VALVE ASSY,INJECTION	3	3						
3	2	104200-53080	NUT, NOZZLE	3	3						
5	2	113200-53110	SPINDLE, INTER	3	3						
6	2	103854-53120	SPRING, NOZZLE	3	3						
7	2	113200-53120	RETAINER, SPRING	3	3						
8	2	110250-53150	PLATE ASSY, ADJUST	3	3						
14	2	103854-53180	RETAINER, SPRING	3	3						
15	2	172100-53200	GASKET	3	3						

Fig.19. FUEL STRAINER

(A)=3T75HA
(B)=3T75HA-M
(C)=

(D)=
(E)=
(F)=

Fig. 19 FUEL STRAINER



No.	Lev.	Parts No.	Description	Q'ty						I	R
				(A)	(B)	(C)	(D)	(E)	(F)		
1	1	121454-55600	STRAINER ASSY, FUEL	1							
1-1	1	121254-55600	STRAINER ASSY, FUEL		1						
2	2	721257-55540	COCK ASSY, FUEL	1							
2-1	2	721250-55540	COCK ASSY, FUEL		1						
3	3	104200-55321	VALVE, TAPER	1	1						
4	3	104200-55330	SPRING, VALVE	1	1						
5	3	104200-55341	HANDLE	1	1						
7	3	101720-55750	PLUG, 6	2	2						
8	3	104200-55750	SCREW, M4	1	1						
9	3	23418-060000	GASKET, 6X1.0	2	2						
10	3	24311-240100	O-RING, 1AP10A	1	1						
11	2	121254-55510	COVER	1	1						
12	2	102103-55520	O-RING	1	1						
13	2	110250-55610	RING, RETAINING	1	1						
14	2	121250-55620	SPRING	1	1						
15	2	124550-55700	FILTER, FUEL L=90	1	1						
16	1	26116-080702	BOLT, M8X 70 PLATED	1							
16-1	1	26106-080652	BOLT, M8X 65 PLATED	1							N
(A=E/# 86878)											
16-2	1	26106-080602	BOLT, M8X 60 PLATED		1						
17	1	22117-080000	WASHER, 8	1							Z
(A=E/# 86878)											
18	1	22217-080000	WASHER, SPRING 8	1							Z
(A=E/# 86878)											

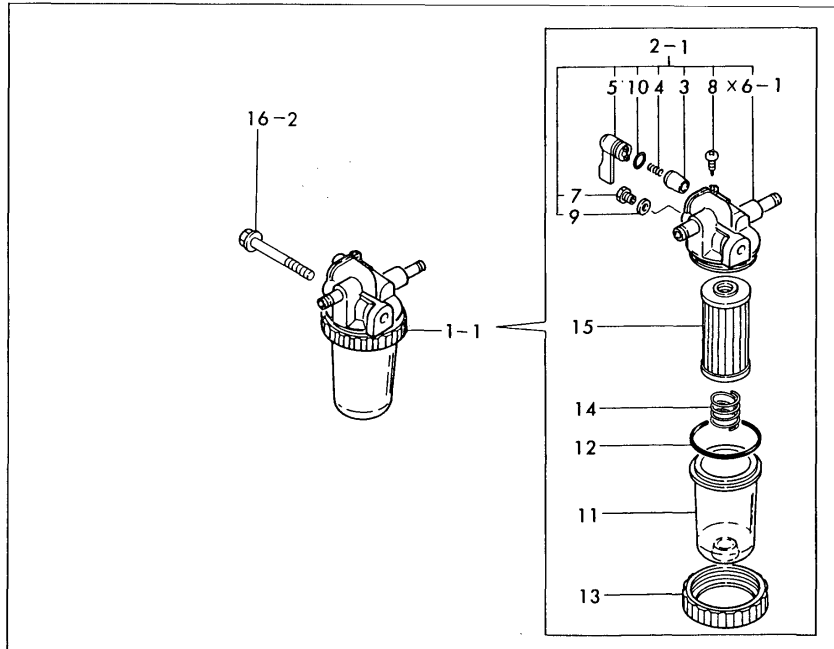
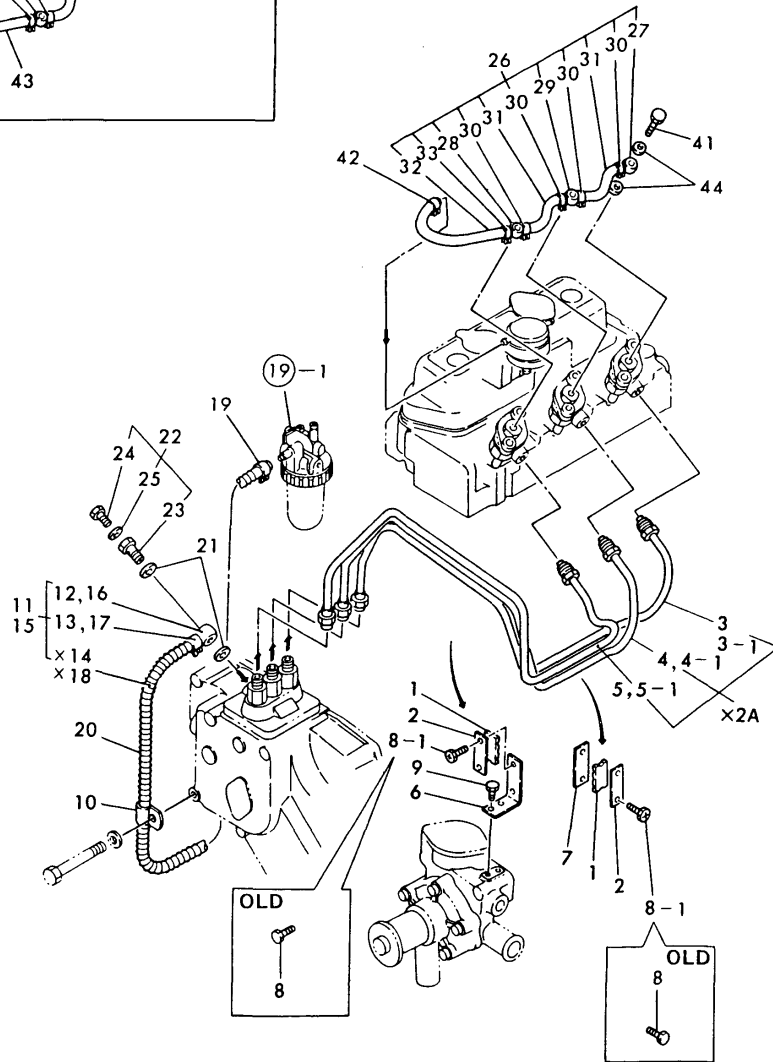
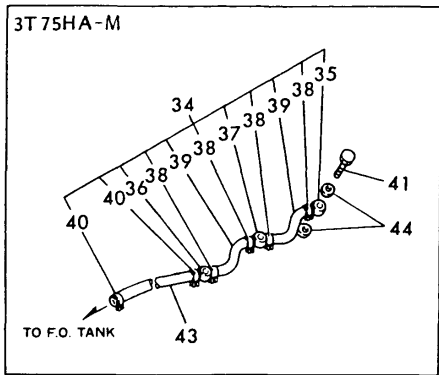


Fig.20. FUEL LINES

(A)=3T75HA
(B)=3T75HA-M
(C)=

(D)=
(E)=
(F)=

Fig. 20 FUEL LINES



No.	Lev.	Parts No.	Description	Q'ty						I	R
				(A)	(B)	(C)	(D)	(E)	(F)		
1	1	123325-59100	RETAINER, PIPE	2	2						
2	1	123325-59110	COVER	2	2						
3	2	121522-59810	PIPE ASSY, INJECTION	1							
3-1	2	171051-59810	PIPE ASSY, INJECTION	1	1						N
(A=FROM 1ST)											
4	2	121554-59820	PIPE ASSY, INJECTION	1							
4-1	2	171051-59820	PIPE ASSY, INJECTION	1	1						N
(A=FROM 1ST)											
5	2	121522-59830	PIPE ASSY, INJECTION	1							
5-1	2	171051-59830	PIPE ASSY, INJECTION	1	1						N
(A=FROM 1ST)											
6	1	121450-59850	BRACKET	1	1						
7	1	121250-59860	BRACKET	1	1						
8	1	26116-060162	BOLT, M6X 16 PLATED	4							
8-1	1	121465-59950	BOLT, M6X16	4	4						N
(A=E/# 86878)											
9	1	26116-060102	BOLT, M6X 10 PLATED	2	2						
10	1	124160-01650	CLAMP, PIPE	1	1						
11	1	121454-59011	PIPE ASSY, FUEL	1							
12	2	101304-59020	JOINT, PIPE 12	1							
13	2	124766-59050	CLIP, HOSE 12	1							
15	1	121554-59010	PIPE ASSY, FUEL		1						
16	2	101304-59020	JOINT, PIPE 12		1						
17	2	124766-59050	CLIP, HOSE 12		1						
19	1	124766-59050	CLIP, HOSE 12	1	1						
20	1	121454-59060	SPRING, PROTECTE	1	1						
21	1	104200-59170	GASKET, 12	2	2						
22	1	103854-59191	BOLT ASSY, JOINT M12	1	1						
23	2	103854-59201	BOLT, PIPE JOINT M12	1	1						
24	2	124060-59380	PLUG, 6	1	1						
25	2	43400-500390	SEAL WASHER 6	1	1						
26	1	121551-59500	PIPE ASSY, RETURN	1							
27	2	124550-59030	JOINT, PIPE 8	1							
28	2	121750-59090	JOINT, PIPE 8	1							
29	2	124550-59090	JOINT, PIPE 8	1							
30	2	124066-59100	CLIP, HOSE 8	4							
31	2	121450-59550	PIPE, FUEL D8X80	2							
32	2	121750-59560	PIPE, FUEL RETURN	1							
33	2	124060-77680	CLIP, HOSE 10	1							
34	1	121554-59500	PIPE ASSY, RETURN		1						
35	2	124550-59030	JOINT, PIPE 8		1						
36	2	121750-59090	JOINT, PIPE 8		1						
37	2	124550-59090	JOINT, PIPE 8		1						
38	2	124066-59100	CLIP, HOSE 8		4						
39	2	121450-59550	PIPE, FUEL D8X80		2						
40	1	124060-77680	CLIP, HOSE 10		2						
41	1	101147-59810	BOLT, PIPE JOINT M8	3	3						
42	1	124060-77680	CLIP, HOSE 10	1							
43	1	121450-77690	PIPE, FUEL 7/11X500		1						
43-1	1	124736-77700	PIPE, FUEL		1						N

(B=E/# A0103)

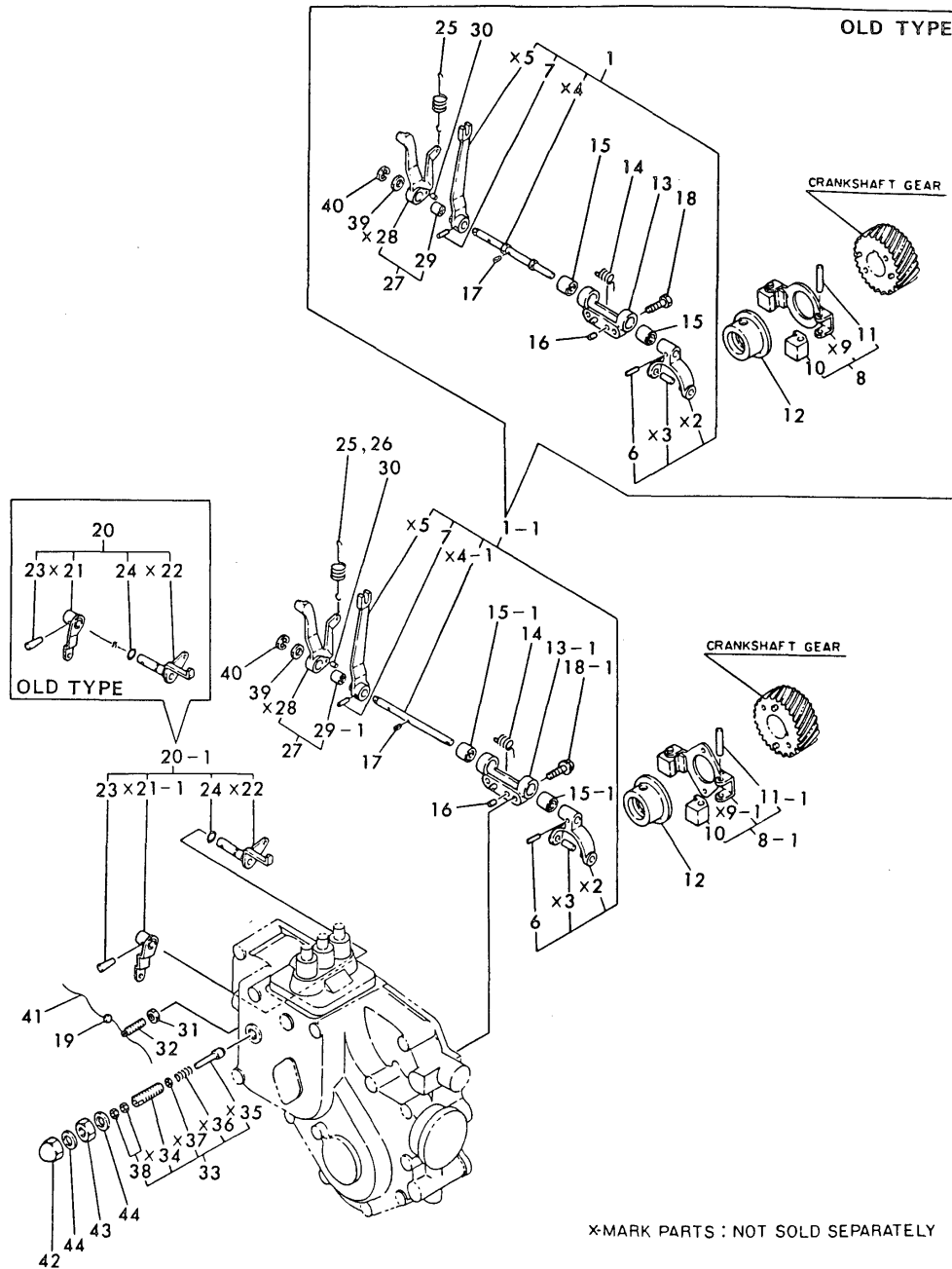
N:Old $\begin{matrix} \leftarrow \\ \text{Yes} \\ \text{No} \end{matrix}$ New, Q:Old $\begin{matrix} \leftarrow \\ \text{No} \\ \text{Yes} \end{matrix}$ New, R:Old $\begin{matrix} \leftarrow \\ \text{Yes} \\ \text{No} \end{matrix}$ New, S:Old $\begin{matrix} \leftarrow \\ \text{No} \\ \text{Yes} \end{matrix}$ New, W:Add, Z:Discontinued, F:Interchangeable by set, K:Q'ty Change
 ++ CONTINUE ++
 Copyright (C) YANMAR CO., LTD. All Rights Reserved.

Fig.21. GOVERNOR MECHANISM

(A)=3T75HA
(B)=3T75HA-M
(C)=

(D)=
(E)=
(F)=

Fig. 21 GOVERNOR MECHANISM



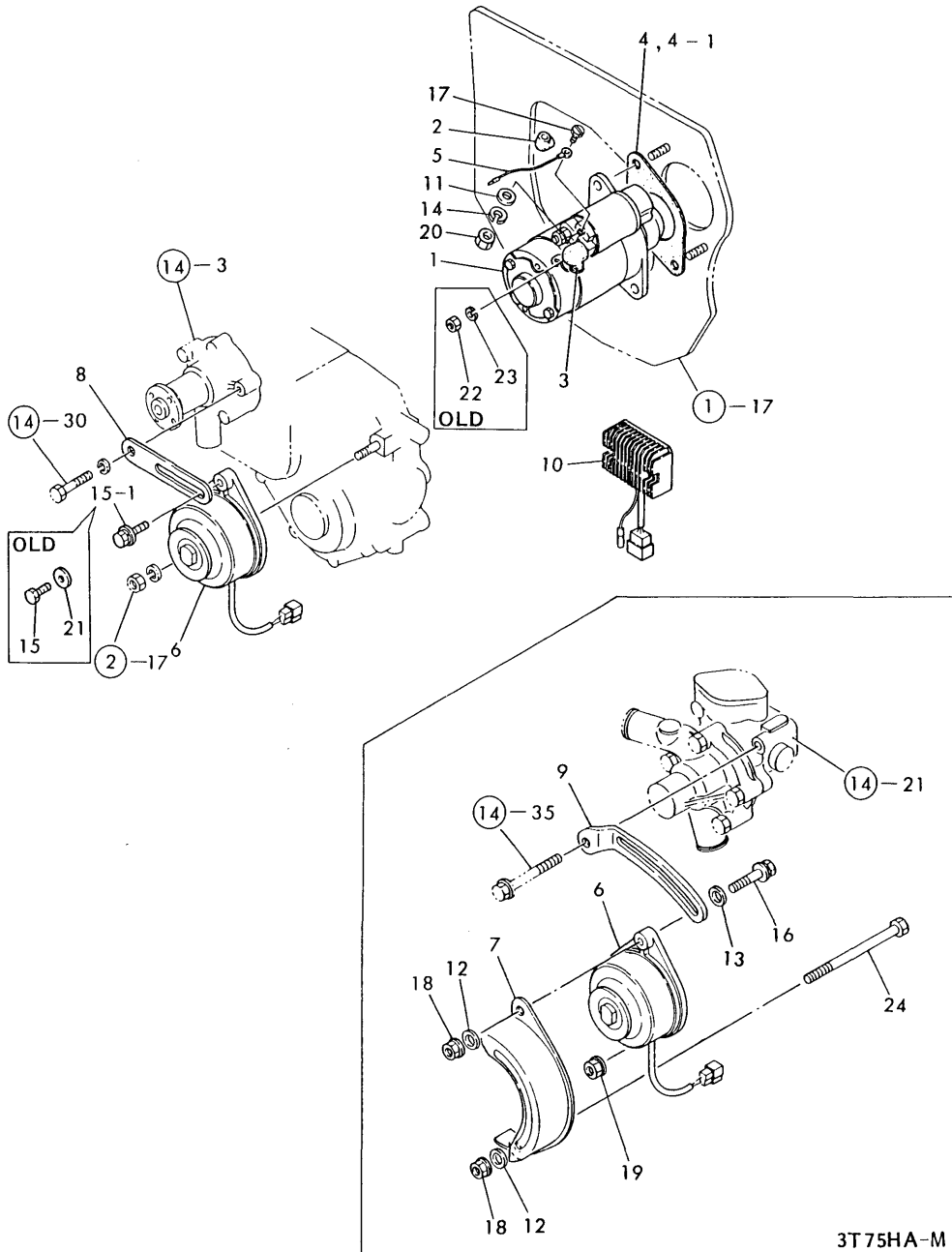
No.	Lev.	Parts No.	Description	(A)	(B)	(C)	(D)	(E)	(F)	Q'ty	I	R
1	1	121450-61001	LEVER ASSY, GOVERNOR	1								
1-1	1	121567-61000	LEVER ASSY, GOVERNOR	1	1							S
(A=E/# 87718)												
6	2	22322-030180	PIN, TAPER 3X18	1	1							
7	2	22322-030180	PIN, TAPER 3X18	1	1							
8	1	121450-61100	WEIGHT ASSY, GOVERNOR	1								
8-1	1	121450-61101	WEIGHT ASSY, GOVERNOR	1	1							S
(A=E/# 88245)												
10	2	104200-61200	WEIGHT, GOVERNOR	2	2							
11	2	172200-61220	PIN, GOVERNOR WEIGHT	2								
11-1	2	119660-61220	PIN, GOVERNOR WEIGHT	2	2							N
(A=E/# 97637)												
12	1	129350-61600	SLEEVE, GOVERNOR	1	1							
13	1	121520-61620	SUPPORT	1								
13-1	1	121567-61620	SUPPORT	1	1							N
(A=E/# 87718)												
14	1	121450-61631	SPRING	1	1							
15	1	121520-61520	BEARING, NEEDLE	2								
15-1	1	121567-61640	BUSH	2	2							N
(A=E/# 87718)												
16	1	22312-040080	PIN, PARALLEL M4X 8	2	2							
17	1	22351-030010	PIN, SPRING 3.0X10	1	1							
18	1	26116-060222	BOLT, M6X 22 PLATED	2								
18-1	1	26106-060222	BOLT, M6X 22 PLATED	2	2							N
(A=*1982.)												
19	1	135210-61090	LEAD	1	1							
20	1	121520-66000	LEVER ASSY, REGULATOR	1	1							
20-1	1	121454-66002	LEVER ASSY, REGULATOR	1								N
(A=E/# 92625)												
23	2	22322-030200	PIN, TAPER 3X20	1	1							
24	2	24311-000070	O-RING, 1AP7.0	1	1							
25	1	121520-66010	SPRING, REGULATOR	1								
26	1	129350-66010	SPRING, REGULATOR	1								
27	1	121450-66180	LEVER ASSY	1	1							
29	2	121450-66171	BUSH	1								
29-1	2	121450-66170	BUSH	1	1							N
(A=*1982.06)												
30	1	22312-030080	PIN, PARALLEL M3X 8	1	1							
31	1	124550-66370	NUT, M6	1	1							
32	1	121454-66420	ADJUSTER	1	1							
33	1	121520-66550	LIMITER ASSY, FUEL	1	1							
38	2	26756-050002	NUT, LOCK M5	2	2							
39	1	22137-080000	WASHER, 8	1	1							
40	1	22272-000060	RING, E- 6	1								
40-1	1	22417-300150	PIN, COTTER 3.0X15	1	1							S
(A=FROM 1ST)												
41	1	22451-060000	WIRE, 0.6	1	1							
42	1	26687-120002	NUT, CAP M12	1	1							
43	1	26736-120002	NUT, M12	1	1							
44	1	43400-500450	SEAL WASHER 12	2	2							

Fig.22. ELECTRIC EQUIPMENT

(A)=3T75HA
(B)=3T75HA-M
(C)=

(D)=
(E)=
(F)=

Fig. 22 ELECTRIC EQUIPMENT



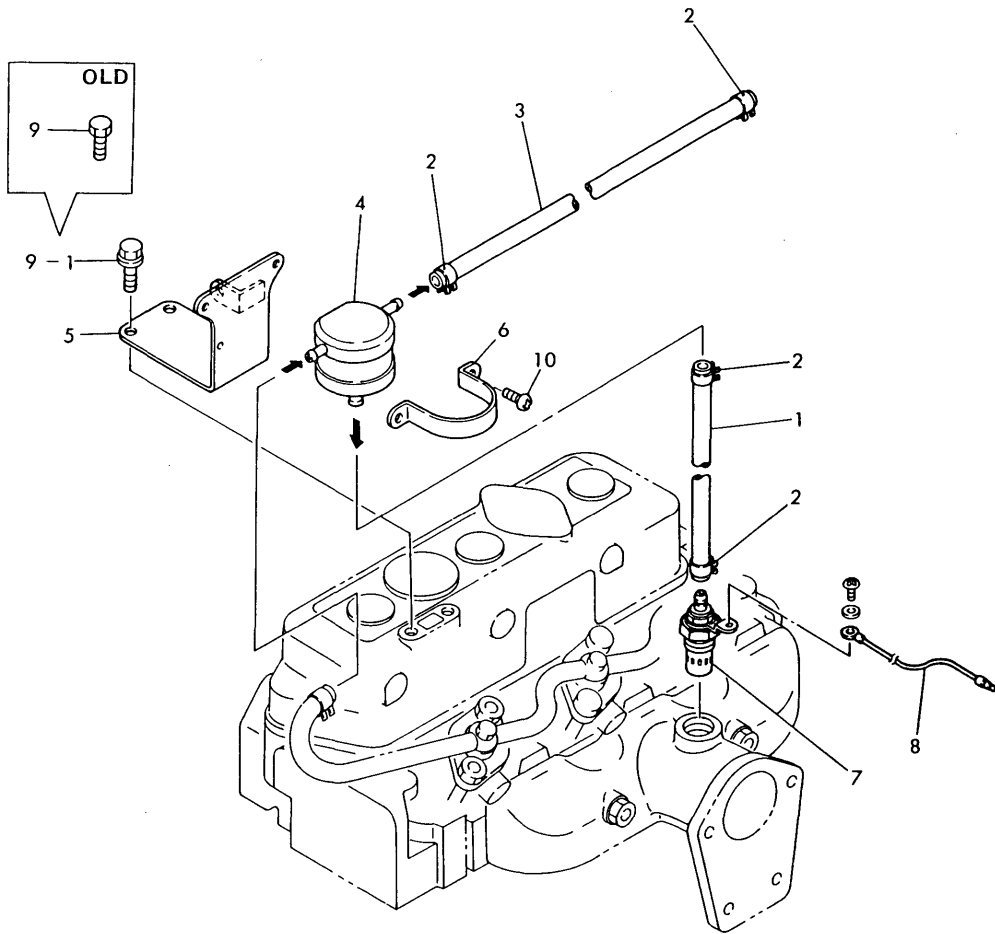
No.	Lev.	Parts No.	Description	Q'ty						I	R
				(A)	(B)	(C)	(D)	(E)	(F)		
1	1	124250-77012	STARTER, S12-77A	1	1						
2	1	124550-77020	COVER, TERMINAL	1	1						
3	1	124550-77030	COVER, TERMINAL	1	1						
4	1	129350-77050	GASKET	1							
4-1	1	129350-77051	GASKET	1	1						N
(A=E/# 94928)											
5	1	124764-77090	WIRE	1	1						
6	1	121450-77200	DYNAMO, 12V-180W	1	1						
7	1	124610-77210	COVER, GENERATOR		1						
8	1	121450-77330	ADJUSTER	1							
9	1	129354-77330	ADJUSTER		1						
10	1	121450-77711	LIMITER, RS5101	1	1						
10-1	1	121520-77710	LIMITER, CURRENT	1	1						N
(A=E/# A0829) (B=E/# A0829)											
11	1	22117-050000	WASHER, 5		1						
12	1	22117-080000	WASHER, 8		2						
13	1	22137-080000	WASHER, 8		1						
14	1	22217-050000	WASHER, SPRING 5		1						
15	1	26116-080252	BOLT, M8X 25 PLATED	1							
15-1	1	26014-080252	BOLT, M8X 25	1							N
(A=E/# 86878)											
16	1	26014-080352	BOLT, M8X 35		1						
17	1	26116-050142	BOLT, M5X 14 PLATED		1						
18	1	26366-080002	NUT, M8		2						
19	1	26368-080002	NUT M 8		1						
19-1	1	26366-080002	NUT, M8		1						N
(B=FROM 1ST)											
20	1	26756-050002	NUT, LOCK M5		1						
21	1	22137-080000	WASHER, 8	1							Z
(A=E/# 86878)											
22	1	26756-080002	NUT, LOCK M8	1							Z
(A=*)											
23	1	22217-080000	WASHER, SPRING 8	1							Z
(A=*)											
24	1	26116-081202	BOLT, M8X120 PLATED		1						

Fig.23. THERMOSTART DEVICE

(A)=3T75HA
(B)=3T75HA-M
(C)=

(D)=
(E)=
(F)=

Fig. 23 THERMOSTART DEVICE
(For Model 3T75HA)



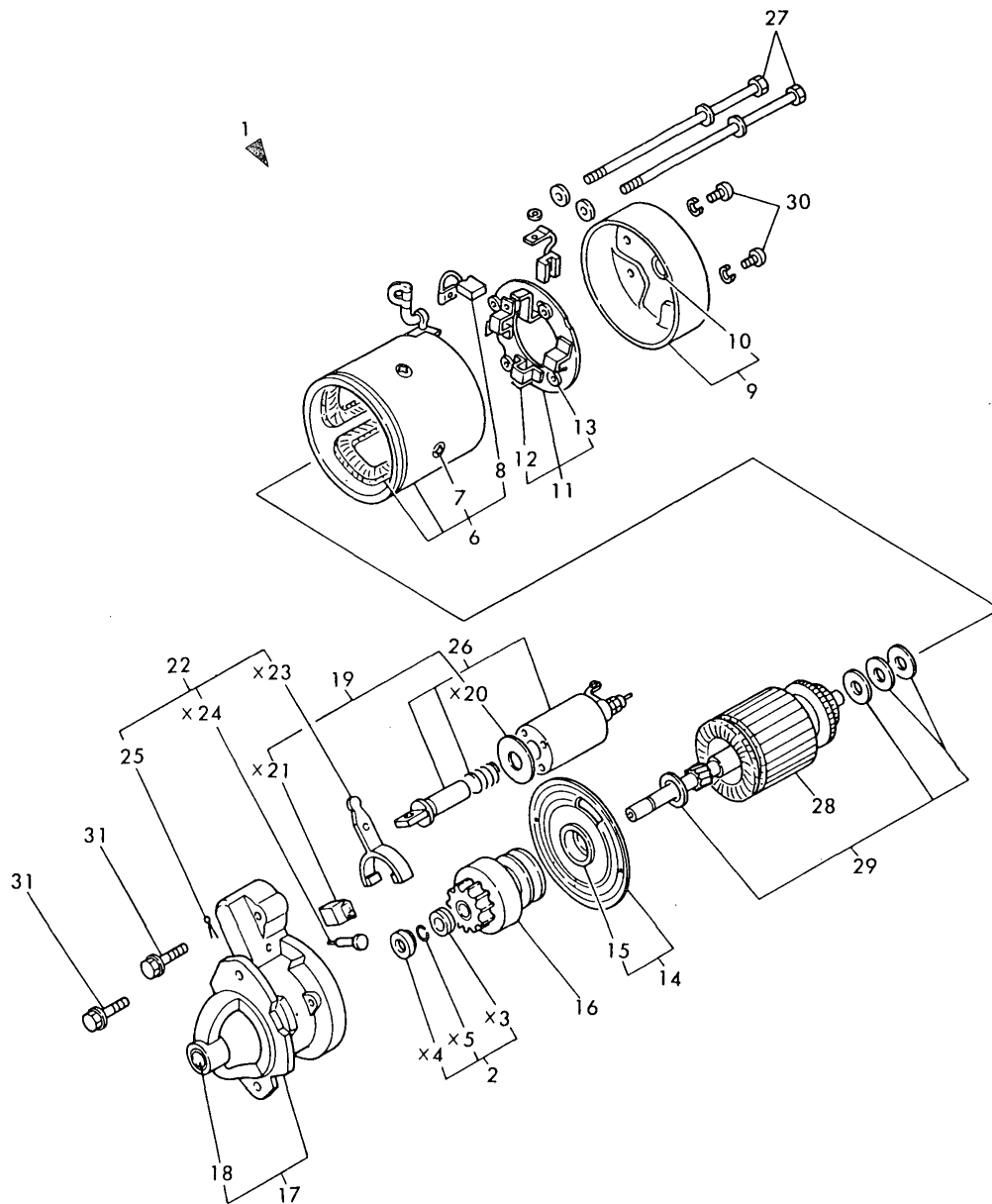
No.	Lev.	Parts No.	Description	Q'ty						I	R
				(A)	(B)	(C)	(D)	(E)	(F)		
1	1	121750-59560	PIPE, FUEL RETURN	1							
2	1	124060-77680	CLIP, HOSE 10	4							
3	1	121450-77690	PIPE, FUEL 7/11X500	1							
4	1	121750-77800	TANK ASSY, HEADER	1							
5	1	121550-77810	BRACKET	1							
6	1	124460-77820	RETAINER	1							
7	1	121023-77910	PLUG, THERMOSTAT	1							
8	1	121120-77920	WIRE	1							
9	1	26116-080122	BOLT, M8X 12 PLATED	2							
9-1	1	26106-080122	BOLT, M8X 12 PLATED	2							N
		(A=*1982.)									
10	1	26557-060082	SCREW, M6X 8	2							

Fig.24. STARTER 12V-1.8 KW (TYPE

(A)=3T75HA
(B)=3T75HA-M
(C)=

(D)=
(E)=
(F)=

Fig. 24 STARTER 12V – 1.8 kW (TYPE S12-77)



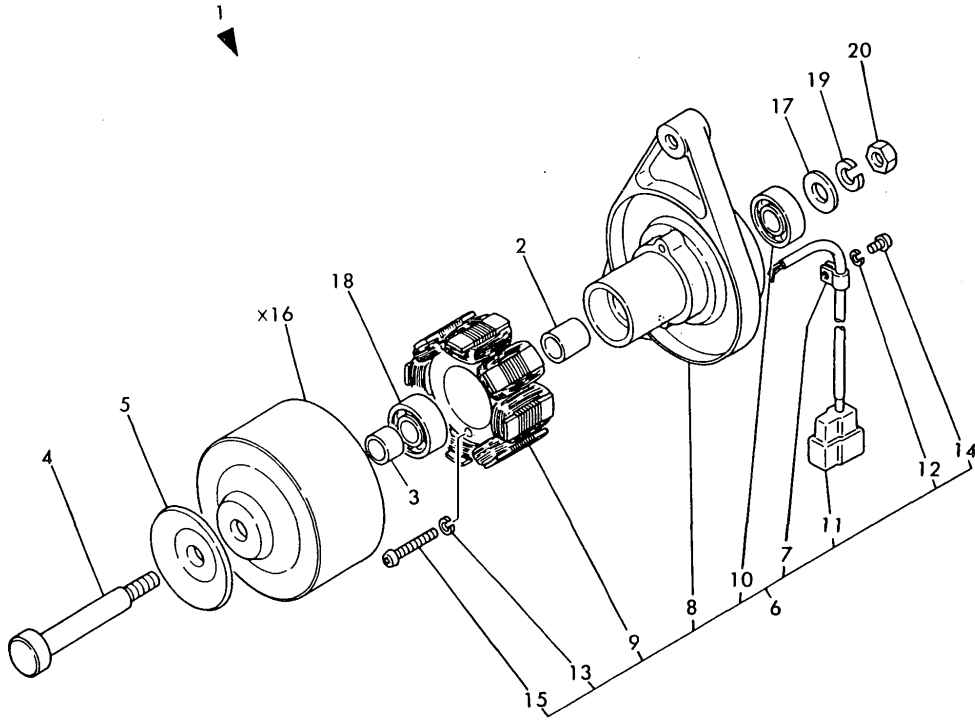
No.	Lev.	Parts No.	Description	Q'ty						I	R
				(A)	(B)	(C)	(D)	(E)	(F)		
1	1	124250-77012	STARTER, S12-77A	1	1						
2	2	124250-77070	STOPPER SET, PINION	1	1						
6	2	124250-77110	COIL ASSY, FIELD	1	1						
7	3	124250-77120	SCREW SET, PORE CORE	4	4						
8	3	124250-77130	BRUSH (+)	2	2						
9	2	124250-77140	COVER ASSY, REAR	1	1						
10	3	124250-77150	METAL, REAR COVER	1	1						
11	2	124250-77160	HOLDER ASSY, BRUSH	1	1						
12	3	124250-77170	BRUSH (-)	2	2						
13	3	124250-77180	SPRING, BRUSH	4	4						
14	2	124250-77190	BEARING ASSY, CENTER	1	1						
15	3	124250-77520	BEARING	1	1						
16	2	124250-77210	PINION ASSY	1	1						
17	2	124250-77220	CASE ASSY, GEAR	1	1						
18	3	124250-77230	METAL, GEAR CASE	1	1						
19	2	124250-77240	COVER SET, DUST	1	1						
22	2	124250-77270	LEVER SET, SHIFT	1	1						
25-1	3	124250-77550	PIN	1	1						
26	2	124250-77310	SWITCH, MAGNETIC	1	1						
27	2	124250-77320	BOLT, THROUGH	2	2						
28	2	124250-77500	ARMATURE ASSY	1	1						
29	2	124250-77510	WASHER KIT	1	1						
30	2	124250-77540	SCREW, M4X12	2	2						
30-1	2	26557-040122	SCREW, M4X12	2	2						N
		(A=E/# A7407) (B=E/# A7407)									
31	2	26106-060322	BOLT, M6X 32 PLATED	2	2						

Fig.25. GENERATOR (TYPE GP9150)

(A)=3T75HA
(B)=3T75HA-M
(C)=

(D)=
(E)=
(F)=

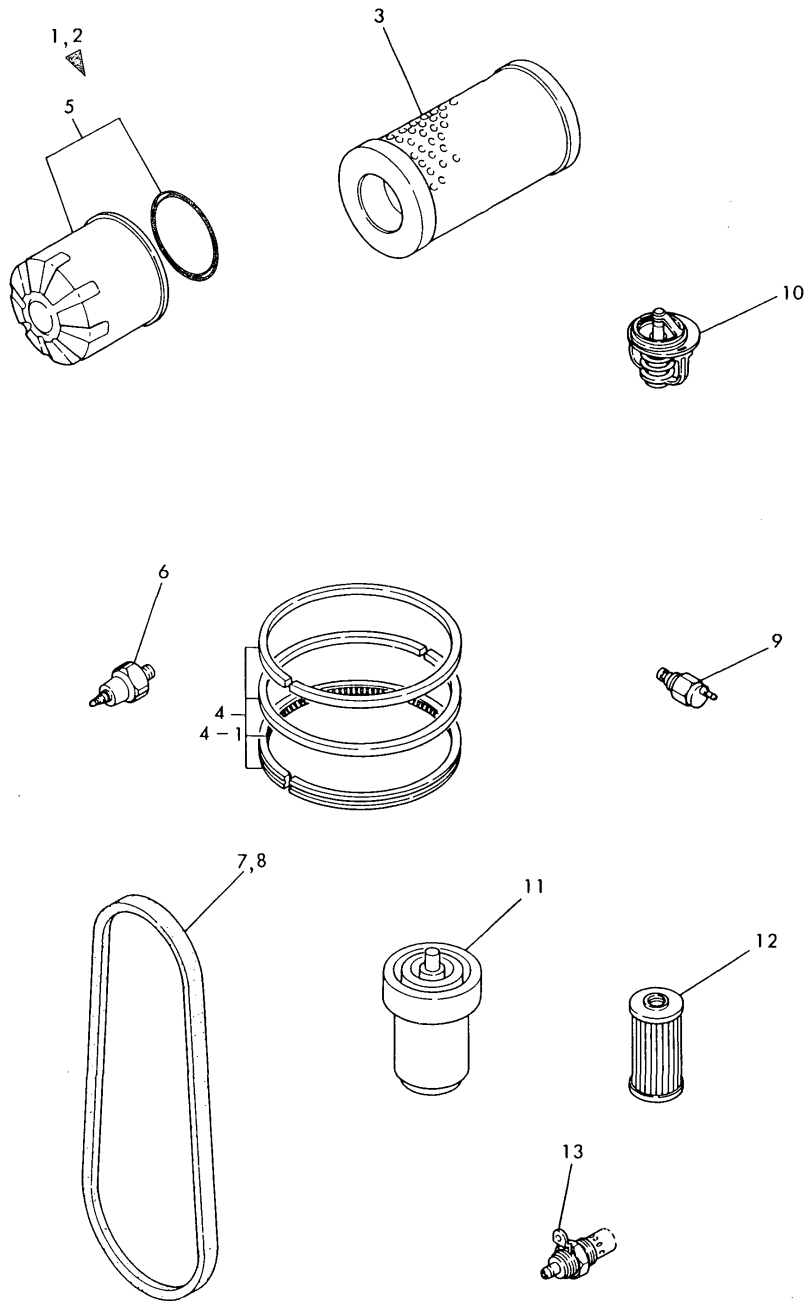
Fig. 25 GENERATOR (TYPE GP9150)



No.	Lev.	Parts No.	Description	Qty						I	R
				(A)	(B)	(C)	(D)	(E)	(F)		
1	1	121450-77200	DYNAMO, 12V-180W	1	1						
2	2	XM329830000	COLLAR	1	1						
3	2	XM428020000	COLLAR	1	1						
4	2	XM429270000	SHAFT	1	1						
5	2	XM429290000	PLATE, PULLEY	1	1						
6	2	XM514160000	PLATE ASSY	1	1						
7	3	XM069000000	CLAMP	1	1						
8	3	XM514170000	PLATE	1	1						
9	3	XM514180000	STATOR	1	1						
10	3	XM861240000	B.BEARING #6201ZZC3	1	1						
11	3	XM967170000	COUPLER	1	1						
12	3	22217-040000	WASHER, SPRING 4	1	1						
13	3	22217-040000	WASHER, SPRING 4	2	2						
14	3	26557-040082	SCREW, M4X 8	1	1						
15	3	26557-040252	SCREW, M4X25	2	2						
17	2	XM860250000	WASHER 10	1	1						
18	2	XM861240000	B.BEARING #6201ZZC3	1	1						
19	2	22217-100000	WASHER, SPRING 10	1	1						
20	2	26706-100002	NUT, M10	1	1						

Fig.26. REPAIR KIT(A)(FOR ENGINE)

Fig. 26 REPAIR KIT (A) [For Engine]



(A)=3T75HA
(B)=3T75HA-M
(C)=

(D)=
(E)=
(F)=

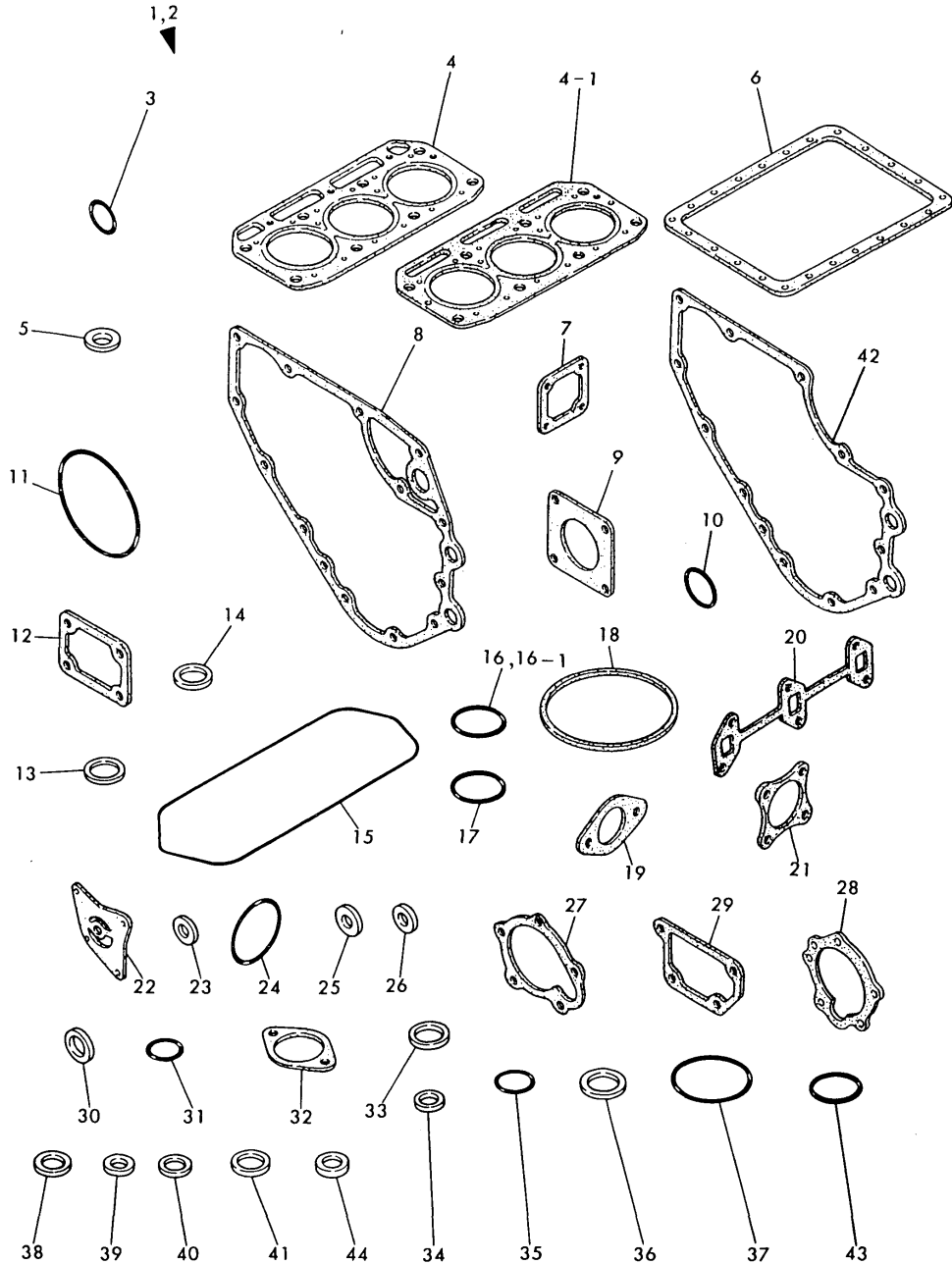
No.	Lev.	Parts No.	Description	Q'ty						I	R	
				(A)	(B)	(C)	(D)	(E)	(F)			
1	1	721554-92500	REPAIR KIT	1								
2	1	721554-92501	REPAIR KIT		1							
3	2	124064-12510	ELEMENT	1	1							
4	2	705311-22500	RING SET, PISTON	3								
4-1	2	705311-22501	RING SET, PISTON	3	3						N	
(A=E# 93876)												
5	2	124450-35100	FILTER, OIL	1	1							
6	2	124160-39450	SWITCH, 0.5KG	1	1							
7	2	121023-42290	V-BELT, AX33	1								
8	2	129350-42290	V-BELT, A33.5			1						
9	2	121250-44901	SWITCH, 110	1	1							
10	2	129350-49800	THERMOSTAT, 71	1								
11	2	124770-53000	VALVE ASSY,INJECTION	3	3							
12	2	124550-55700	FILTER, FUEL L=90	1	1							
13	2	121023-77910	PLUG, THERMOSTAT	1								

Fig.27. GASKET KIT (A) (FOR ENGINE)

(A)=3T75HA
(B)=3T75HA-M
(C)=

(D)=
(E)=
(F)=

Fig. 27 GASKET KIT (A) [For Engine]



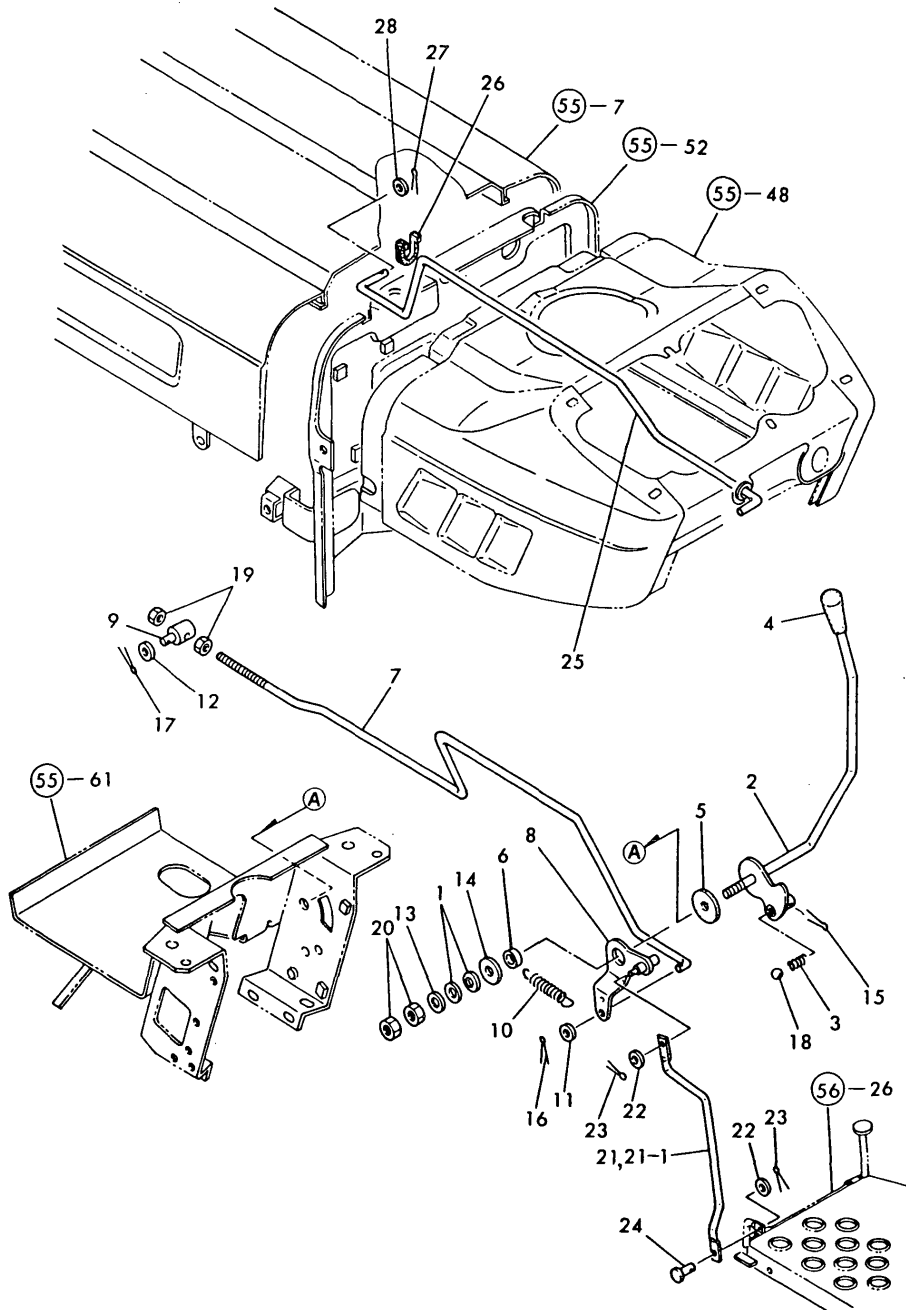
No.	Lev.	Parts No.	Description	Q'ty						I	R
				(A)	(B)	(C)	(D)	(E)	(F)		
1	1	721554-92600	GASKET SET	1							
2	1	721554-92601	GASKET SET		1						
3	2	24311-000100	O-RING, 1AP10.0	2	2						
4	2	121550-01330	GASKET, HEAD	1							
4-1	2	121550-01331	GASKET, HEAD	1	1						N
(A=E/# 88222)											
5	2	43400-500450	SEAL WASHER 12	1	1						
6	2	121575-01750	GASKET, OIL SUMP	1	1						
7	2	121450-01531	GASKET	1	1						
8	2	121450-01511	GASKET, GEAR CASE	1							
9	2	124240-01882	GASKET	2	2						
10	2	24341-000260	O-RING, 1AS26.0	1							
11	2	24341-001350	O-RING, 1AS135.0	1	1						
12	2	121450-11680	GASKET	1	1						
13	2	121550-11451	GASKET, CHAMBER	6	6						
14	2	103854-11490	INSULATOR	3	3						
15	2	121550-11310	GASKET, BONNET	1	1						
16	2	121420-01760	O-RING	1							
16-1	2	24311-000320	O-RING, 1AP32.0	1	1						N
(A=E/# 93876)											
17	2	24341-000400	O-RING, 1AS40.0	1	1						
18	2	124064-12430	GASKET	2	2						
19	2	124067-12050	GASKET	1	1						
20	2	121550-13520	GASKET	1	1						
21	2	121450-13200	GASKET, SILENCER	1	1						
22	2	121450-32021	GASKET, PUMP	1	1						
23	2	121550-35110	GASKET, 18	1	1						
24	2	124450-35110	O-RING	1	1						
25	2	23414-100000	GASKET, 10X1.0	2	2						
26	2	23414-080000	GASKET, 8X1.0	6	6						
27	2	121450-42050	GASKET, WATER PUMP	1							
28	2	121000-42051	GASKET, WATER PUMP		1						
29	2	121450-44410	GASKET	1	1						
30	2	124465-44950	GASKET, 16	1	1						
31	2	24311-000120	O-RING, 1AP12.0	1	1						
32	2	129350-49540	GASKET	1	1						
33	2	124950-51270	GASKET	3	3						
34	2	124550-51350	GASKET, DELIVERY	3	3						
35	2	124550-51370	O-RING	3	3						
36	2	172100-53200	GASKET	3	3						
37	2	102103-55520	O-RING	1	1						
38	2	104200-59170	GASKET, 12	2	2						
39	2	43400-500390	SEAL WASHER 6	1	1						
40	2	23414-080012	GASKET, 8X1.0	6	6						
41	2	43400-500450	SEAL WASHER 12	2	2						
42	2	121575-01510	GASKET, GEAR CASE		1						
43	2	24341-000460	O-RING, 1AS46.0		1						
44	2	43400-500410	SEAL WASHER 8		1						W
(B=E/# A1397)											

Fig.28. THROTTLE

(A)=YM220
(B)=YM220D
(C)=YM250

(D)=YM250D
(E)=
(F)=

Fig. 28 THROTTLE



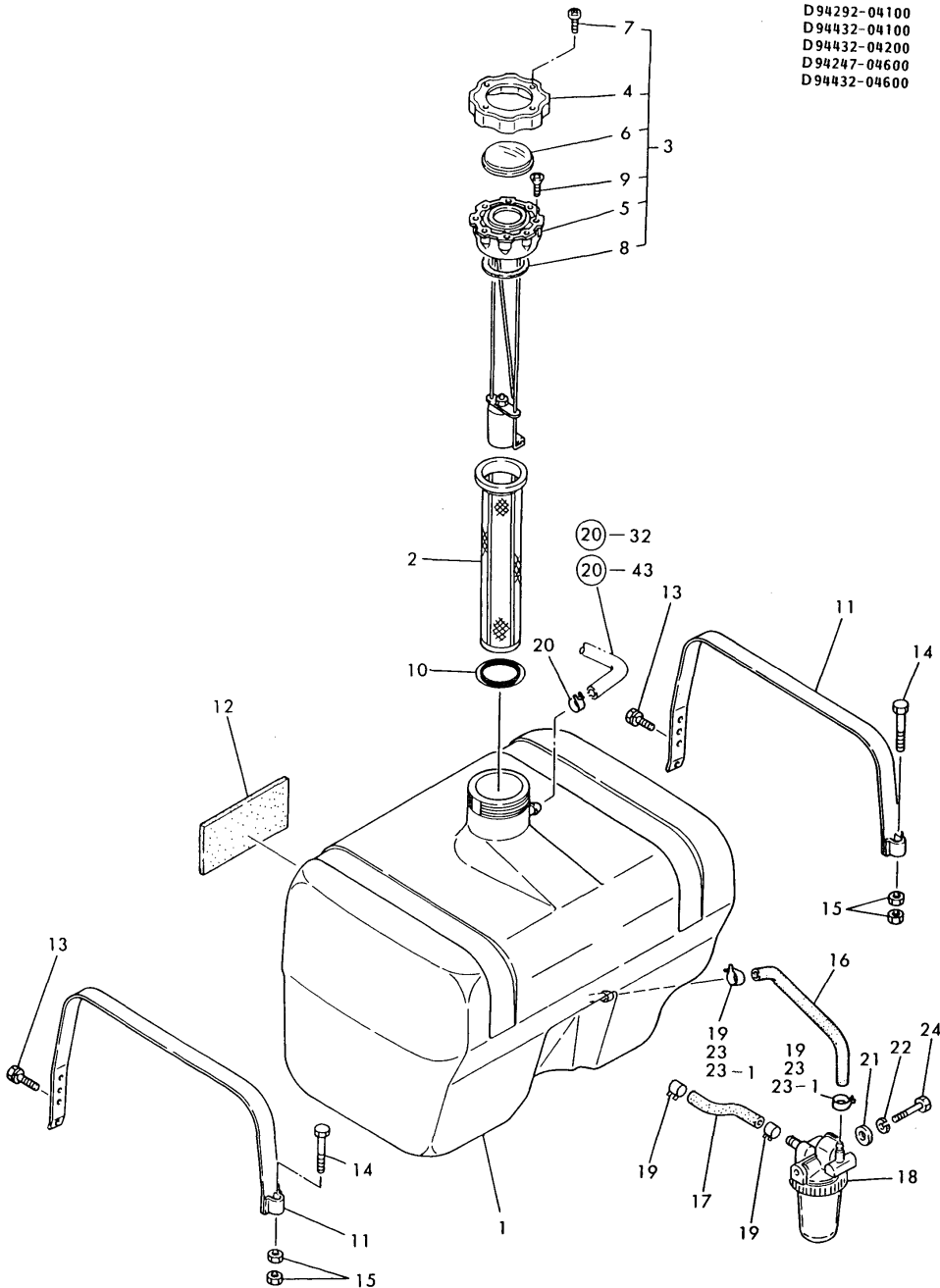
No.	Lev.	Parts No.	Description	Q'ty						I	R
				(A)	(B)	(C)	(D)	(E)	(F)		
1	1	194740-00160	SPRING, 10	2	2	2	2				
2	1	194432-01110	LEVER, THROTTLE	1	1	1	1				
3	1	194197-01160	SPRING	1	1	1	1				
4	1	194464-01190	KNOB, LEVER	1	1	1	1				
5	1	194145-01260	PLATE, FRICTION	1	1	1	1				
6	1	194150-01270	SPACER, 20	1	1	1	1				
7	1	194432-01320	ROD, THROTTLE LINK	1	1	1	1				
8	1	194420-01351	LEVER, LINK	1	1	1	1				
9	1	194150-01370	ADJUSTER	1	1	1	1				
10	1	194750-04400	SPRING, RETURN	1	1	1	1				
11	1	22137-080000	WASHER, 8	1	1	1	1				
12	1	22137-080000	WASHER, 8	1	1	1	1				
13	1	22137-100000	WASHER, 10	1	1	1	1				
14	1	22157-100000	WASHER, 10	1	1	1	1				
15	1	22417-160180	PIN, COTTER 1.6X18	1	1	1	1				
16	1	22417-160180	PIN, COTTER 1.6X18	1	1	1	1				
17	1	22417-160180	PIN, COTTER 1.6X18	1	1	1	1				
18	1	24190-110001	BALL, STEEL 11/32	1	1	1	1				
19	1	26716-080002	NUT, M8	2	2	2	2				
20	1	26716-100002	NUT, M10	2	2	2	2				
21	1	194432-01440-U	ROD, THROTTLE LINK	1	1						
21-1	1	194432-01441	ROD, THROTTLE LINK	1	1	1	1				N
(A=T/# 20933) (B=T/# 40541)											
22	1	22137-060000	WASHER, 6	2	2	2	2				
23	1	22417-160180	PIN, COTTER 1.6X18	2	2	2	2				
24	1	22487-060120	PIN, H 6X 12	1	1	1	1				
25	1	194430-01510	ROD, DECOMPRESSION	1	1	1	1				
26	1	194440-01550	GROMMET	1	1	1	1				
27	1	22417-160180	PIN, COTTER 1.6X18	1	1	1	1				
28	1	23418-060000	GASKET, 6X1.0	1	1	1	1				

(A)=YM220
 (B)=YM220D
 (C)=YM250

(D)=YM250D
 (E)=
 (F)=

Fig. 29 FUEL TANK

D94292-04100
 D94432-04100
 D94432-04200
 D94247-04600
 D94432-04600



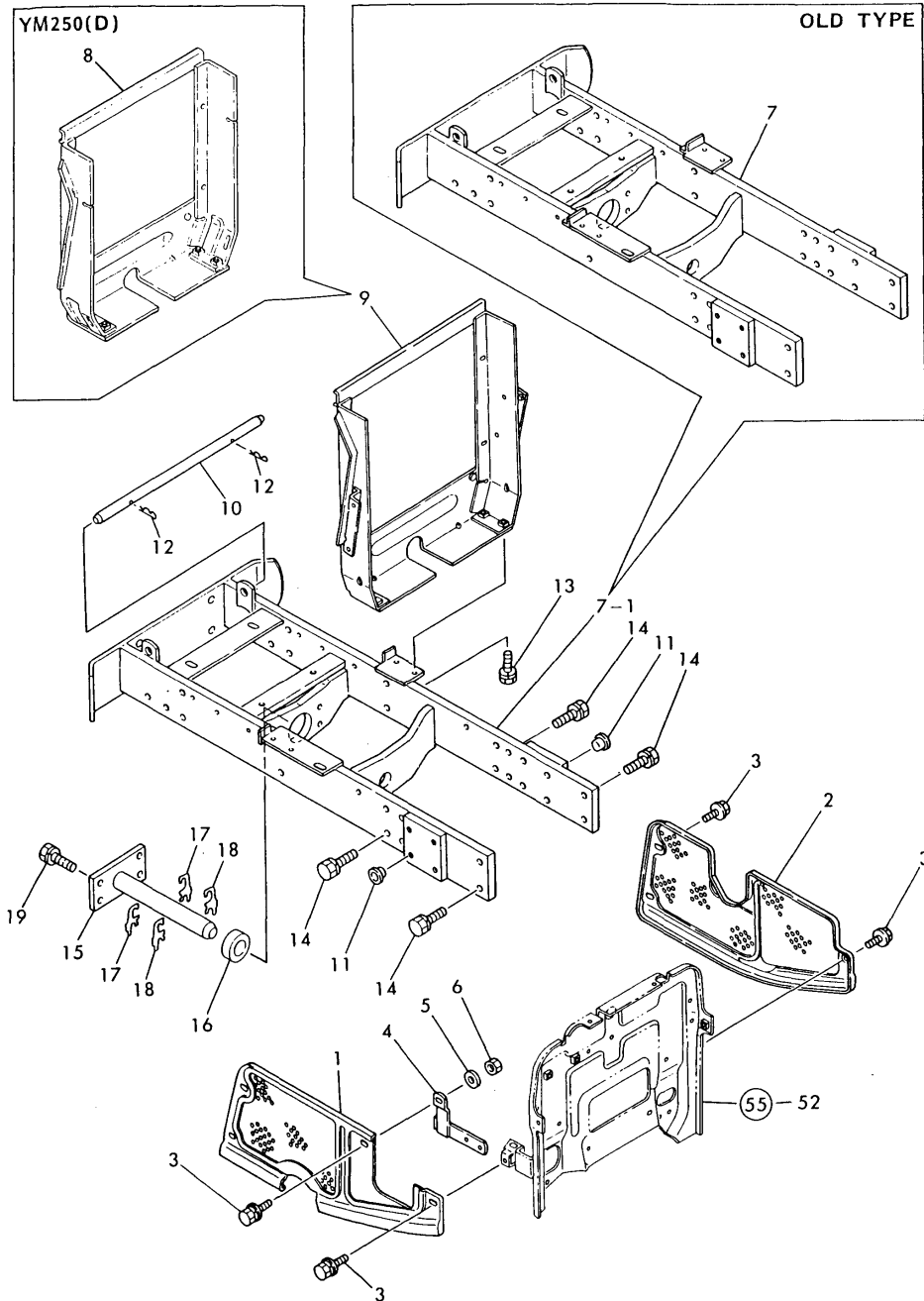
No.	Lev.	Parts No.	Description	Q'ty						I	R
				(A)	(B)	(C)	(D)	(E)	(F)		
1	1	194432-04112	TANK (19L), FUEL	1	1	1	1				
2	1	194286-04140	STRAINER, FUEL TANK			1	1				
3	1	194145-04302	CAP ASSY, TANK	1	1	1	1				
4	2	194145-04311	CAP, FUEL TANK	1	1	1	1				
5	2	194145-04322	CAP, FUEL TANK	1	1	1	1				
6	2	194145-04351	LENS	1	1	1	1				
7	2	194145-04460	SCREW, TAPPING M4X12	4	4	4	4				
8	2	194145-04521	GASKET	1	1	1	1				
9	2	26557-030062	SCREW, M3X 6	2	2	2	2				
10	1	24311-000450	O-RING, 1AP45.0				1	1			
11	1	194310-04250	BAND, FUEL OIL TANK	2	2	2	2				
12	1	194151-04260	GASKET, FUEL TANK	1	1	1	1				
13	1	26013-080162	BOLT, M8X 16	2	2	2	2				
14	1	26116-080502	BOLT, M8X 50 PLATED	2	2	2	2				
15	1	26716-080002	NUT, M8	4	4	4	4				
16	1	194136-04720	PIPE, FUEL OIL	1	1	1	1				
17	1	194247-04730	PIPE, FUEL OIL			1	1				
18	1	121257-55700	SEPARATOR, WATER				1	1			
19	1	124766-59050	CLIP, HOSE 12			4	4				
20	1	124060-77680	CLIP, HOSE 10	1	1	1	1				
21	1	22117-080000	WASHER, 8			1	1				Z
			(C=T/# 20116) (D=T/# 40027)								
22	1	22217-080000	WASHER, SPRING 8			1	1				Z
			(C=T/# 20116) (D=T/# 40027)								
23	1	124766-59050	CLIP, HOSE 12	2	2						
23-1	1	23080-012000	CLAMP, 12	2	2						N
			(A=T/# 21113) (B=T/# 40611)								
24	1	26116-080652	BOLT, M8X 65 PLATED			1	1				
24-1	1	26106-080652	BOLT, M8X 65 PLATED			1	1				N
			(C=T/# 20116) (D=T/# 40027)								

Fig.30. BELT COVER & FRONT AXLE BRACKE

(A)=YM220
(B)=YM220D
(C)=YM250

(D)=YM250D
(E)=
(F)=

Fig. 30 BELT COVER & FRONT AXLE BRACKET

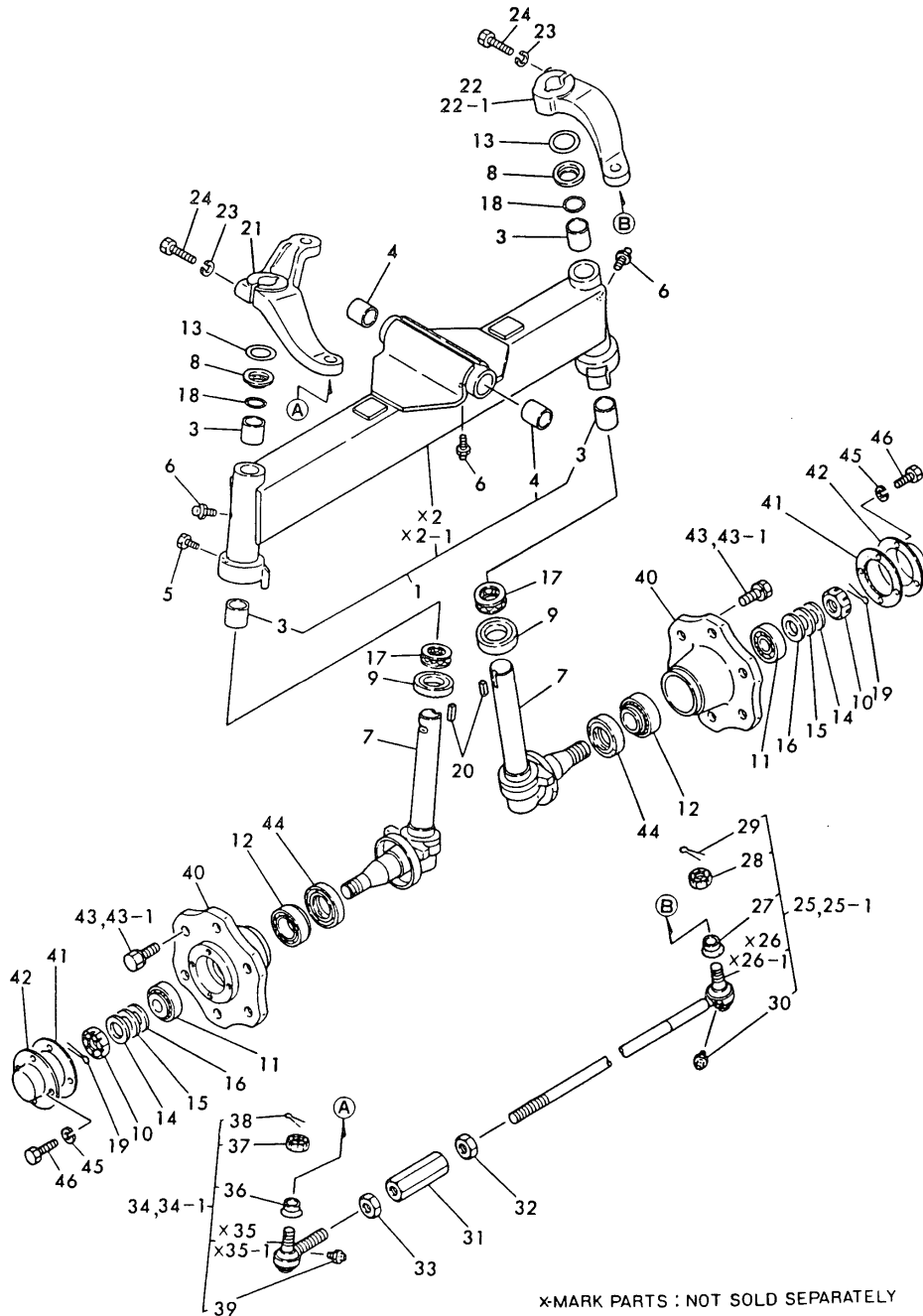


No.	Lev.	Parts No.	Description	Q'ty						I	R
				(A)	(B)	(C)	(D)	(E)	(F)		
1	1	194446-05110-R	COVER, BELT	1	1						
2	1	194446-05121-R	COVER, BELT	1	1						
3	1	194420-05210	BOLT, M6X16	7	7						
4	1	194446-05220	STAY	1	1						
5	1	22157-060000	WASHER, 6	1	1						
6	1	26716-060002	NUT, M6	1	1						
7	1	194432-11110-X	BRACKET, FRONT AXLE	1	1						
7-1	1	194432-11111	BRACKET, FRONT AXLE	1	1	1	1				N
		(A=T/# 21133) (B=T/# 40721)									
7-2	1	194432-11112	BRACKET, FRONT AXLE	1	1						N
		(A=T/# 21338) (B=T/# 40816)									
8	1	194247-11130	BRACKET, RADIATOR			1	1				
9	1	194432-11130-X	BRACKET, RADIATOR	1	1						
10	1	194432-11140	PIN, LOCK	1	1	1	1				
11	1	194150-21910	PLUG, 11.2	8	8	8	8				
12	1	22360-160000	PIN, SNAP 16	2	2	2	2				
13	1	26013-080162	BOLT, M8X 16	4	4	4	4				
14	1	26013-120302	BOLT, M12X 30	12	12	12	12				
15	1	194311-11510	PIN, CENTER	1	1	1	1				
16	1	194311-11520	SPACER, 30X55X18	1	1	1	1				
17	1	194191-13232	SHIM (T=0.5)	4	4	4	4				
18	1	194191-13240	SHIM, T=0.25	4	4	4	4				
19	1	26013-120302	BOLT, M12X 30	4	4	4	4				

(A)=YM220
 (B)=YM220D
 (C)=YM250

(D)=YM250D
 (E)=
 (F)=

Fig. 31 FRONT AXLE (For Model YM220, YM250)



x-MARK PARTS : NOT SOLD SEPARATELY

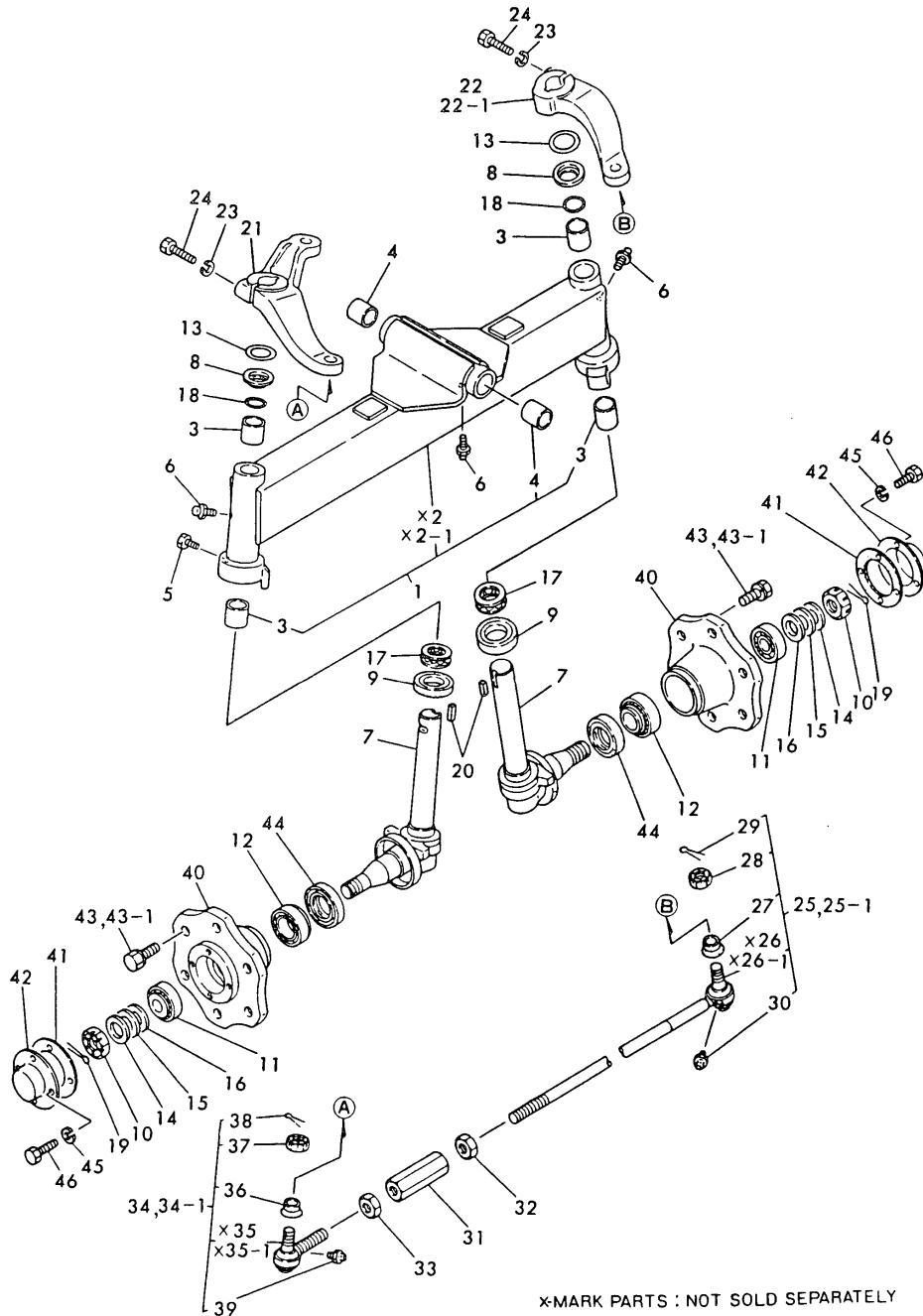
No.	Lev.	Parts No.	Description	Qty						I	R
				(A)	(B)	(C)	(D)	(E)	(F)		
1	1	194363-11200-X	AXLE ASSY, FRONT	1		1					
3	2	194464-11340	BUSH, 30X34X32	4		4					
4	2	194312-11520	BUSH, 30X34X25	2		2					
5	1	194145-11350	BOLT, M6X5	2		2					W
(A=T/# 21018)											
6	1	24761-060000	NIPPLE, GREASE MT6X1	3		3					
7	1	194145-11801	PIN ASSY, KING	2		2					
8	1	194145-11820	COVER, KING PIN	2		2					
9	1	194145-11860	SEAL, OIL TC38529	2		2					
10	1	194145-11870	CASTLE NUT	2		2					
11	1	194145-11910	ROLLER BEARING	2		2					
11-1	1	24141-302050	BEARING, 30205	2		2					N
(A=T/# 21375) (C=T/# 20055)											
12	1	194145-11920	ROLLER BEARING	2		2					
13	1	194145-11930	SHIM	2		2					
14	1	194145-11970	WASHER T=3	2		2					
15	1	194145-11980	WASHER T=3	2		2					
16	1	194145-11990	WASHER T=3	2		2					
17	1	1A1030-12200	BALL BEARING	2		2					
18	1	194990-57740	O-RING, 30X2.4	2		2					
19	1	22417-400450	PIN, COTTER 4.0X45	2		2					
20	1	22512-100340	KEY, 10X 34	2		2					
21	1	194432-14110-X	ARM (L), KNUCKLE	1		1					
22-1	1	194240-14210	ARM, KNUCKLE	1		1					
23	1	22217-120000	WASHER, SPRING 12	2		2					
24	1	26116-120602	BOLT, M12X 60 PLATED	2		2					
25	1	194312-12300-X	TIE-ROD ASSY	1							
25-1	1	194312-12301	TIE-ROD (L) ASSY	1		1					N
(A=T/# 21113)											
27	2	194730-57220	COVER, DUCT	1		1					
28	2	194730-57241	NUT M12	1		1					
29	2	22417-300250	PIN, COTTER 3.0X25	1		1					
30	2	24761-060000	NIPPLE, GREASE MT6X1	1		1					
31	1	194150-12410	TURNBUCKLE M17X95	1		1					
32	1	194990-22830	NUT M17	1		1					
33	1	194990-22840	NUT M17	1		1					
34	1	794730-57112-X	END(RR) ASSY,TIE-ROD	1							
34-1	1	194730-57110	END ASSY, TIE-ROD	1		1					N
(A=T/# 21113)											
36	2	194730-57220	COVER, DUCT	1		1					
37	2	194730-57241	NUT M12	1		1					
38	2	22417-300250	PIN, COTTER 3.0X25	1		1					
39	2	24761-060000	NIPPLE, GREASE MT6X1	1		1					
40	1	194145-12611	HUB, FRONT WHEEL	2		2					
41	1	194145-12630	GASKET	2		2					
42	1	194145-12640	CAP, WHEEL HUB	2		2					
43	1	26013-140252	BOLT, M14X 25	12							
43-1	1	194180-12650	BOLT M14X 25	12		12					N
(A=*1982.10)											
43-2	1	194278-12650	BOLT, M14X25	12		12					N
(A=T/# 21206) (C=T/# 20055)											

Fig.31. FRONT AXLE

(A)=YM220
(B)=YM220D
(C)=YM250

(D)=YM250D
(E)=
(F)=

Fig. 31 FRONT AXLE (For Model YM220, YM250)



X-MARK PARTS : NOT SOLD SEPARATELY

No.	Lev.	Parts No.	Description	Q'ty						I	R
				(A)	(B)	(C)	(D)	(E)	(F)		
44	1	194130-12720	SEAL, OIL TC6406219	2		2					
45	1	22217-060000	WASHER, SPRING 6	8		8					
46	1	26116-060122	BOLT, M6X 12 PLATED	8		8					

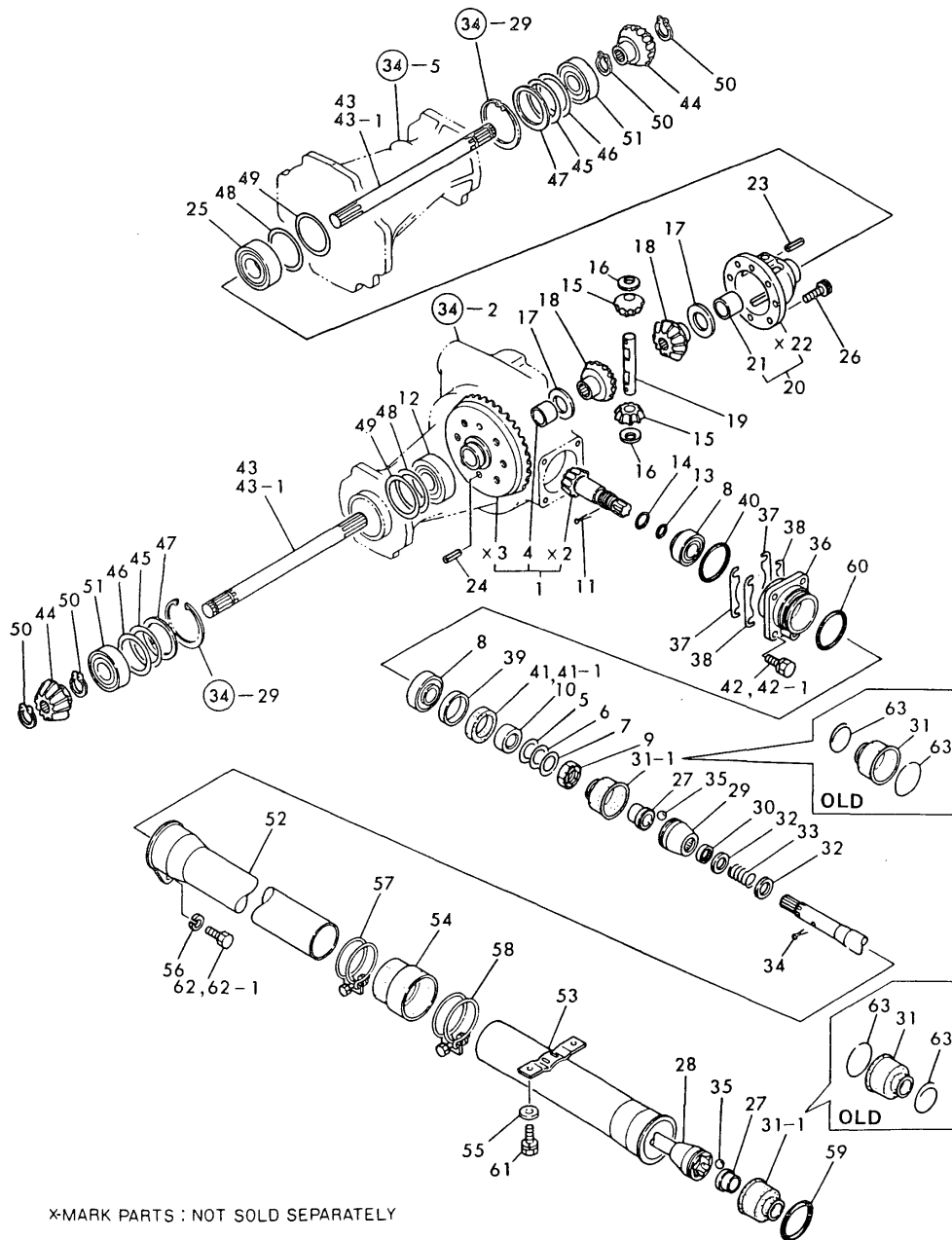
Fig.32. RING GEAR & PROPELLER SHAFT

(A)=YM220
(B)=YM220D
(C)=YM250

(D)=YM250D
(E)=
(F)=

Fig. 32 PROPELLER SHAFT & RING GEAR OF FRONT AXLE

(For Model YM220D, YM250D)



X-MARK PARTS : NOT SOLD SEPARATELY

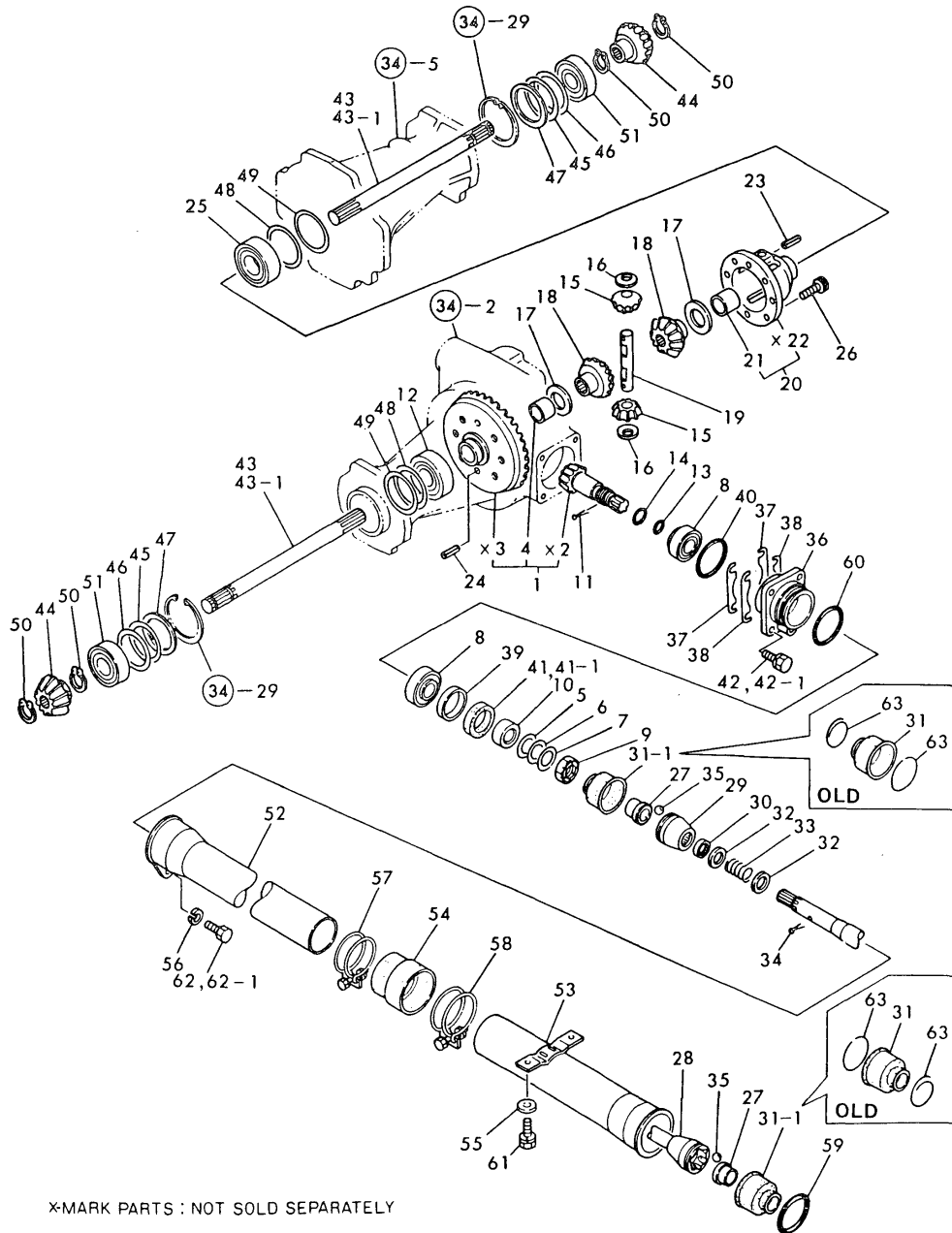
No.	Lev.	Parts No.	Description	Q'ty						I	R
				(A)	(B)	(C)	(D)	(E)	(F)		
1	1	194311-13101	GEAR ASSY, RING	1		1					
4	2	194190-31490	BUSH, 32X36X20		1		1				
5	1	194311-13130	SHIM, A		1		1				
6	1	194311-13140	SHIM, B		1		1				
7	1	194311-13150	SHIM (C)		1		1				
8	1	194191-13530	BEARING, HR32006XJ		2		2				
9	1	194191-13540	NUT, CASTLE M28X1.5		1		1				
10	1	194191-13671	COLLAR 28X40X12		1		1				
11	1	22417-250400	PIN, COTTER 2.5X40		1		1				
12	1	24101-060094	BEARING, BALL 6009		1		1				
13	1	24311-000210	O-RING, 1AP21.0		1		1				
14	1	24341-000250	O-RING, 1AS25.0		1		1				
15	1	194740-10850	PINION, DIFFERENTIAL		2		2				
16	1	194740-10870	LINER, PINION		2		2				
17	1	194740-10880	WASHER, DIFFERENTIAL		2		2				
18	1	194190-31510	GEAR, DIFFERENTIAL		2		2				
19	1	194420-31820	SHAFT, DIFFERENTIAL		1		1				
20	1	194190-32100	HOUSING ASSY		1		1				
21	2	194190-31490	BUSH, 32X36X20		1		1				
23	1	22351-040025	PIN, SPRING 4.0X25		1		1				
24	1	22351-080018	PIN, SPRING 8.0X18		2		2				
25	1	24101-060094	BEARING, BALL 6009		1		1				
26	1	26450-080182	BOLT, M8X 18		6		6				
27	1	194191-13270	SLEEVE		2		2				
28	1	194362-13300-X	SHAFT ASSY,PROPELLER		1		1				
29	1	194191-13331	COUPLING, B		1		1				
30	1	194191-13340	SEAL, SPLINE SHAFT		1		1				
31	1	194191-13370	BOOT (RUBBER)		2						
31-1	1	194640-13340	BOOT, RUBBER		2		2				N
(B=T/# 40696)											
32	1	194191-13350	SPACER, 20X30X1.6		2		2				
33	1	194311-13360	SPRING, TENSION		1		1				
34	1	22417-400400	PIN, COTTER 4.0X40		1		1				
35	1	24190-100001	BALL, STEEL 5/16		12		12				
36	1	194311-13450	CAP, FRONT AXLE CASE		1		1				
37	1	194311-13460	SHIM(A) T=0.3		4		4				
38	1	194311-13470	SHIM, T=0.2		4		4				
39	1	194191-13662	COLLAR 52.4X55X6		1		1				
40	1	24341-000630	O-RING, 1AS63.0		1		1				
41	1	194191-13681	SEAL TC40 55 8, OIL		1						
41-1	1	24421-405508	SEAL, OIL TC405508		1		1				N
(B=T/# 40640)											
42	1	26013-080222	BOLT, M8X 22		4						
42-1	1	26013-080252	BOLT, M8X 25		4		4				N
(B=*1982.12)											
43	1	194311-13510	SHAFT, FRONT DRIVE		2						
43-1	1	194311-13511	SHAFT, FRONT 1ST		2		2				N
(B=T/# 40541)											
44	1	194311-13520	PINION, SHAFT		2		2				
45	1	194311-13530	SHIM, L=0.3 A		4		4				
46	1	194311-13540	SHIM, L=0.3 B		4		4				

Fig.32. RING GEAR & PROPELLER SHAFT

(A)=YM220
(B)=YM220D
(C)=YM250

(D)=YM250D
(E)=
(F)=

Fig. 32 PROPELLER SHAFT & RING GEAR OF FRONT AXLE
(For Model YM220D, YM250D)



No.	Lev.	Parts No.	Description	Q'ty						I	R
				(A)	(B)	(C)	(D)	(E)	(F)		
47	1	194311-13550	SPACER, GEAR CASE		2		2				
48	1	194190-31120	SHIM, L=0.3 A		2		2				
49	1	194190-31130	SHIM, L=0.2 B		2		2				
50	1	22242-000240	RING, 24		4		4				
51	1	24101-062074	BEARING, BALL 6207		2		2				
52	1	194362-14610-X	COVER, FRONT SHAFT		1		1				
53	1	194362-14640-X	COVER, REAR SHAFT		1		1				
54	1	194362-14650	BOOT, SHAFT COVER		1		1				
55	1	22137-080000	WASHER, 8		2		2				
56	1	22217-100000	WASHER, SPRING 10		1		1				
57	1	23010-060000	CLAMP, 60		1		1				
58	1	23010-066000	CLAMP 66						1		
59	1	24321-000600	O-RING, 1AG60.0		1		1				
60	1	24321-000600	O-RING, 1AG60.0		1		1				
61	1	26013-080162	BOLT, M8X 16		2		2				
62	1	26126-100162	BOLT M10X 16 PLATED		1						
62-1	1	26116-100162	BOLT, M10X 16 PLATED		1		1				N
(B=T/# 40424)											
63	1	194150-51620	CLAMP, HARNESS		4						Z
(B=T/# 40696)											

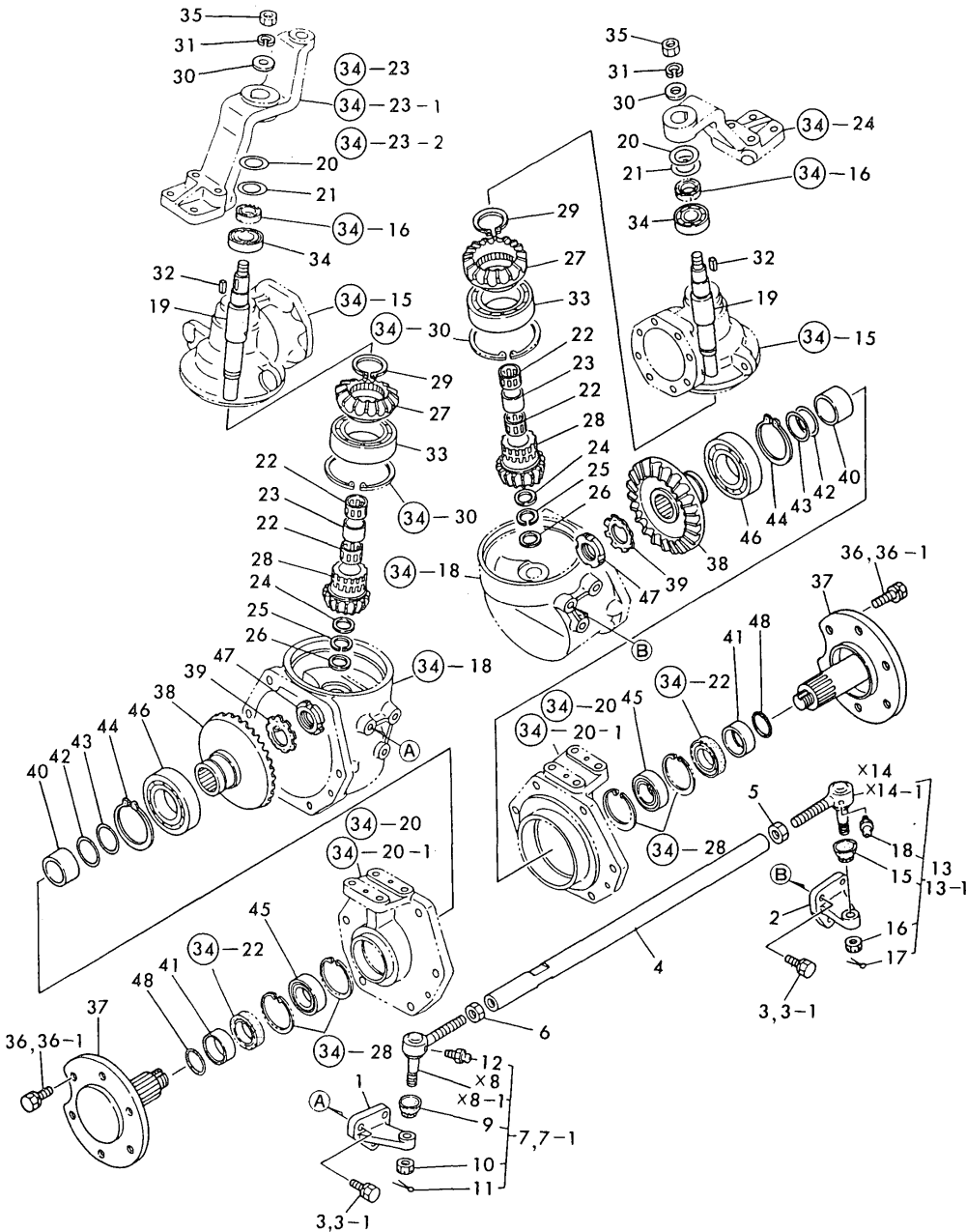
X-MARK PARTS : NOT SOLD SEPARATELY

Fig.33. 2ND SHAFT & FRONT SPINDLE

(A)=YM220
(B)=YM220D
(C)=YM250

(D)=YM250D
(E)=
(F)=

Fig. 33 2nd SHAFT & SPINDLE OF FRONT AXLE
[For Model YM220D, YM250D]



No.	Lev.	Parts No.	Description	Qty						I	R
				(A)	(B)	(C)	(D)	(E)	(F)		
1	1	194311-12110	ARM (L), KNUCKLE	1			1				
2	1	194311-12210	ARM (R), KNUCKLE	1			1				
3	1	26013-100282	BOLT, M10X 28				6				
3-1	1	26013-100302 (B=*1982.12)	BOLT, M10X 30				6		6		N
4	1	194311-12310	TIE-ROD				1		1		
5	1	194990-22830	NUT M17				1		1		
6	1	194990-22840	NUT M17				1		1		
7	1	794730-57122-X	END(RL) ASSY,TIE-ROD				1				
7-1	1	194730-57120 (B=T/# 40609)	END(RL) ASSY,TIE-ROD				1		1		N
9	2	194730-57220	COVER, DUCT				1		1		
10	2	194730-57241	NUT M12				1		1		
11	2	22417-300250	PIN, COTTER 3.0X25				1		1		
12	2	24761-060000	NIPPLE, GREASE MT6X1				1		1		
13	1	794730-57132-X	END(LR) ASSY,TIE-ROD				1				
13-1	1	194730-57130 (B=T/# 40609)	END(LR) ASSY, TIE-ROD				1		1		N
15	2	194730-57220	COVER, DUCT				1		1		
16	2	194730-57241	NUT M12				1		1		
17	2	22417-300250	PIN, COTTER 3.0X25				1		1		
18	2	24761-060000	NIPPLE, GREASE MT6X1				1		1		
19	1	194311-13850	SHAFT, FRONT 2ND				2		2		
20	1	194311-13860	SHIM, T=1.0 A				2		2		
21	1	194311-13870	SHIM, T=1.2 B				2		2		
22	1	194311-13880	BEARING, 283518				4		4		
23	1	194311-13890	COLLAR, 28X33.5X22.5				2		2		
24	1	194311-13910	WASHER, 28X33.5X2				2		2		
25	1	194311-13920	CIRCLIP, NEEDLE WR28				2		2		
26	1	194311-13930	SPACER, 25X35X5				2		2		
27	1	194311-13940	GEAR, FRONT SHAFT				2		2		
28	1	194311-13950	PINION, FRONT FINAL				2		2		
29	1	194311-13960	CIRCLIP, 50-S				2		2		
30	1	22137-160000	WASHER, 16				2		2		
31	1	22217-160000	WASHER, SPRING 16				2		2		
32	1	22512-070220	KEY, 7X 22				2		2		
33	1	24101-060134	BEARING, BALL 6013				2		2		
34	1	24101-062054	BEARING, BALL 6205				2		2		
35	1	26716-160002	NUT, M16				2		2		
36	1	26013-140252	BOLT, M14X 25				12				
36-1	1	194180-12650 (B=*1982.10)	BOLT M14X 25				12		12		N
36-2	1	194278-12650 (B=T/# 40611)	BOLT, M14X25				12		12		N
37	1	194241-14101-X	SPINDLE ASSY, FRONT				2		2		
37-1	1	194171-14110 (B=T/# 40904)	SPINDLE, FRONT				2		2		S
38	1	194311-14121	GEAR, FRONT FINAL				2		2		
38-1	1	194311-14122 (B=T/# 40904)	GEAR, FRONT SHAFT				2		2		N
39	1	194311-14130	WASHER, 35				2		2		Z

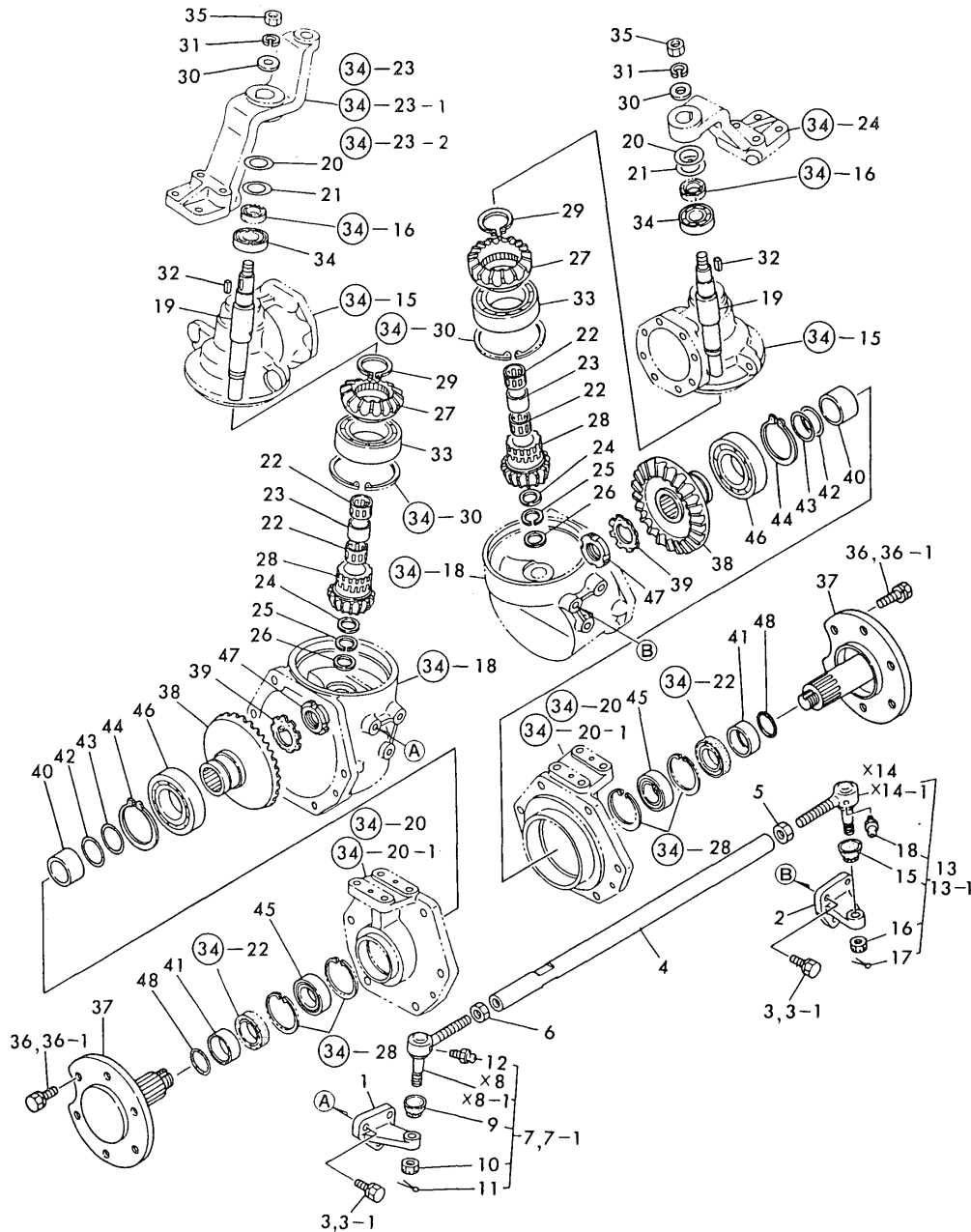
N:Old $\frac{Yes}{No}$ New, Q:Old $\frac{No}{Yes}$ New, R:Old $\frac{Yes}{Yes}$ New, S:Old $\frac{No}{No}$ New, W:Add, Z:Discontinued, F:Interchangeable by set, K:Q'ty Change
++ CONTINUE ++
Copyright (C) YANMAR CO., LTD. All Rights Reserved.

Fig.33. 2ND SHAFT & FRONT SPINDLE

(A)=YM220
(B)=YM220D
(C)=YM250

(D)=YM250D
(E)=
(F)=

Fig. 33 2nd SHAFT & SPINDLE OF FRONT AXLE
[For Model YM220D, YM250D]



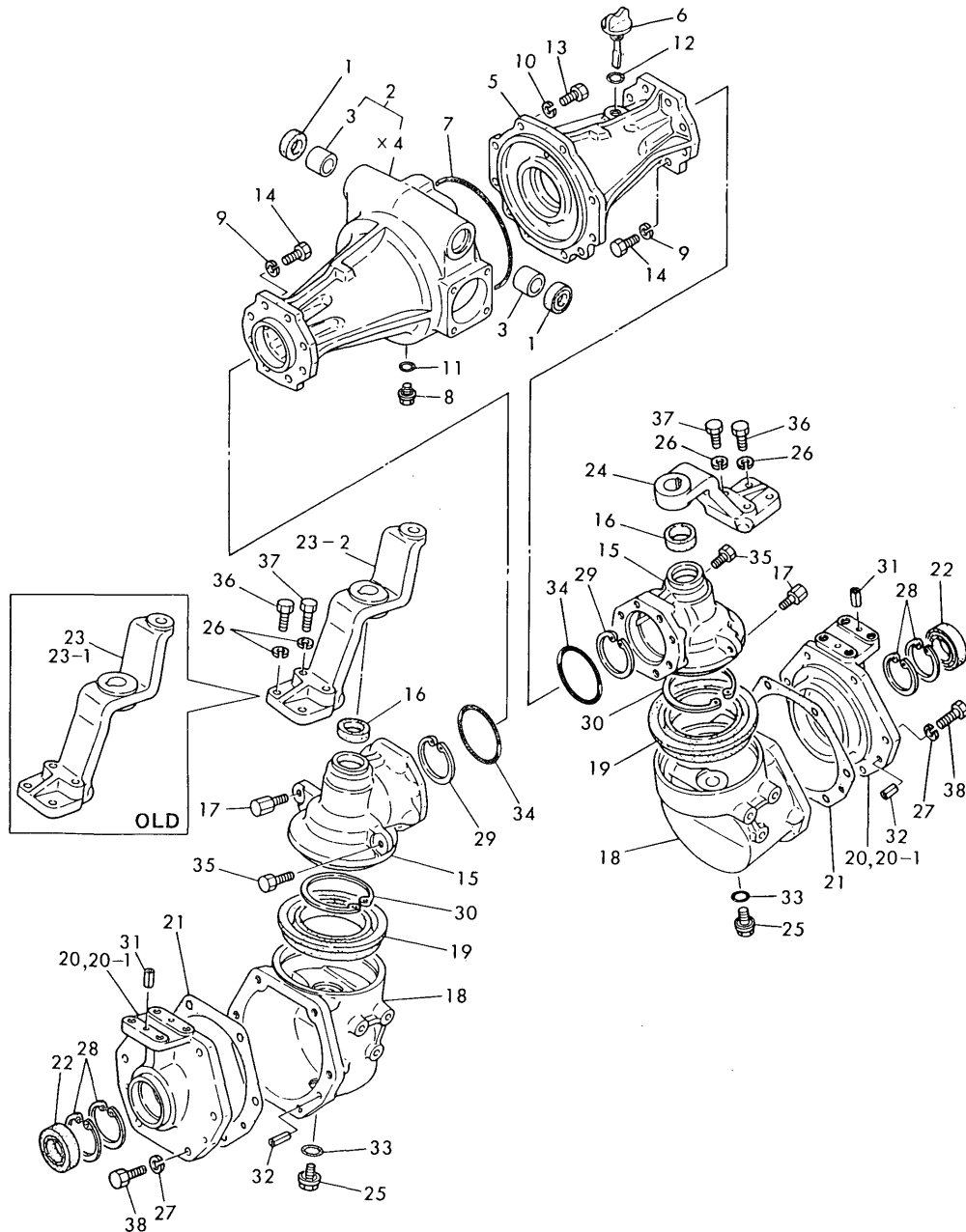
No.	Lev.	Parts No.	Description	Q'ty						I	R	
				(A)	(B)	(C)	(D)	(E)	(F)			
			(B=T/# 40904)									
			(D=T/# 40023)									
40	1	194311-14161	COLLAR, 48.6X41.6		2		2					
40-1	1	194171-14160	COLLAR, 60.5X26.5		2		2				S	
			(B=T/# 40904)									
			(D=T/# 40023)									
41	1	194311-14172	COLLAR, 40X50X20		2		2					
41-1	1	194171-14170	COLLAR, 50X68X17.5		2		2				S	
			(B=T/# 40904)									
			(D=T/# 40023)									
42	1	194311-14180	SHIM, L=0.2 A		4		4					
42-1	1	194171-14180	SHIM (A), FRONT		4		4				S	
			(B=T/# 40904)									
			(D=T/# 40023)									
43	1	194311-14190	SHIM(B) L=0.3		4		4					
43-1	1	194171-14190	SHIM (B), FRONT FINA		4		4				S	
			(B=T/# 40904)									
			(D=T/# 40023)									
44	1	22242-000550	RING, 55		2		2					
45	1	24101-060084	BEARING, BALL 6008		2		2					
45-1	1	24101-062104	BEARING, BALL 6210		2		2				S	
			(B=T/# 40904)									
			(D=T/# 40023)									
46	1	24101-062114	BEARING, BALL 6211		2		2					
47	1	24211-035002	NUT, BEARING 35		2		2					
47-1	1	194491-14190	NUT, M30		2		2				S	
			(B=T/# 40904)									
			(D=T/# 40023)									
48	1	24321-000400	O-RING, 1AG40.0		2		2					
48-1	1	24321-000500	O-RING, 1AG50.0		2		2				S	
			(B=T/# 40904)									
			(D=T/# 40023)									

Fig.34. CASING OF FRONT AXLE

(A)=YM220
(B)=YM220D
(C)=YM250

(D)=YM250D
(E)=
(F)=

Fig. 34 CASING OF FRONT AXLE
(For Model YM220D, YM250D)



No.	Lev.	Parts No.	Description	Q'ty						I	R
				(A)	(B)	(C)	(D)	(E)	(F)		
1	1	194311-13430	SEAL, OIL KC30427		2		2				
2	1	194431-13600	HOUSING, FRONT AXLE		1		1				
3	2	194312-11520	BUSH, 30X34X25		2		2				
5	1	194431-13620	HOUSING, FRONT AXLE		1		1				
6	1	194313-13630	PLUG, 20		1		1				
7	1	194313-13640	O-RING, S159.3		1		1				
8	1	194151-24770	PLUG 14, OIL		1						
8-1	1	23491-140002 (B=T/# 40797)	PLUG, 14		1		1				N
9	1	22217-100000	WASHER, SPRING 10		16		16				
10	1	22217-100000	WASHER, SPRING 10		10		10				
11	1	24311-000160	O-RING, 1AP16.0		1		1				
12	1	24311-000220	O-RING, 1AP22.0		1		1				
13	1	26116-100252	BOLT, M10X 25 PLATED		10		10				
14	1	26116-100302	BOLT, M10X 30 PLATED		16		16				
15	1	194313-13710	CASE, FRONT GEAR		2		2				
16	1	194311-13720	SEAL, OIL TC6254007		2		2				
17	1	194311-13730	BOLT		2		2				
18	1	194311-13751	BOX, GEAR		2		2				
19	1	194311-13760	SEAL, TCS11514513.5		2		2				
20	1	194311-13771-X	CASE, FRONT BEARING		2						
20-1	1	194311-13772-X (B=T/# 40541)	CASE, FRONT BEARING		2		2				N
20-2	1	194171-13770 (B=T/# 40904)	CASE, FRONT BEARING		2		2				S
21	1	194362-13780	GASKET		2		2				
22	1	194313-13790	SEAL, TC6Y506812.5		2		2				
22-1	1	194171-13870 (B=T/# 40904)	SEAL, OIL TC6Y689013		2		2				S
23	1	194362-13810-X	BRACKET(L), KING PIN		1						
23-1	1	194362-13811-X (B=*1982.12)	BRACKET(L), KING PIN		1						N
23-2	1	194362-13812-X (B=T/# 40645)	SUPPORT, KING PIN		1		1				N
24	1	194362-13820-X	SUPPORT, KING PIN		1		1				
25	1	194151-24770	PLUG 14, OIL		2						
25-1	1	23491-140002 (B=T/# 40797)	PLUG, 14		2		2				N
26	1	22217-100000	WASHER, SPRING 10		8		8				
27	1	22217-120000	WASHER, SPRING 12		12		12				
28	1	22252-000680	RING, 68		4		4				
28-1	1	22252-000900 (B=T/# 40904)	RING, 90		4		4				S
29	1	22252-000720	RING, 72		2		2				
30	1	22252-001000	RING, 100		2		2				
31	1	22351-080020	PIN, SPRING 8.0X20		4		4				
32	1	22351-080020	PIN, SPRING 8.0X20		4		4				
33	1	24311-000160	O-RING, 1AP16.0		2		2				
34	1	24321-000700	O-RING, 1AG70.0		2		2				
35	1	26116-100162	BOLT, M10X 16 PLATED		2		2				
36	1	26116-100302	BOLT, M10X 30 PLATED		4		4				

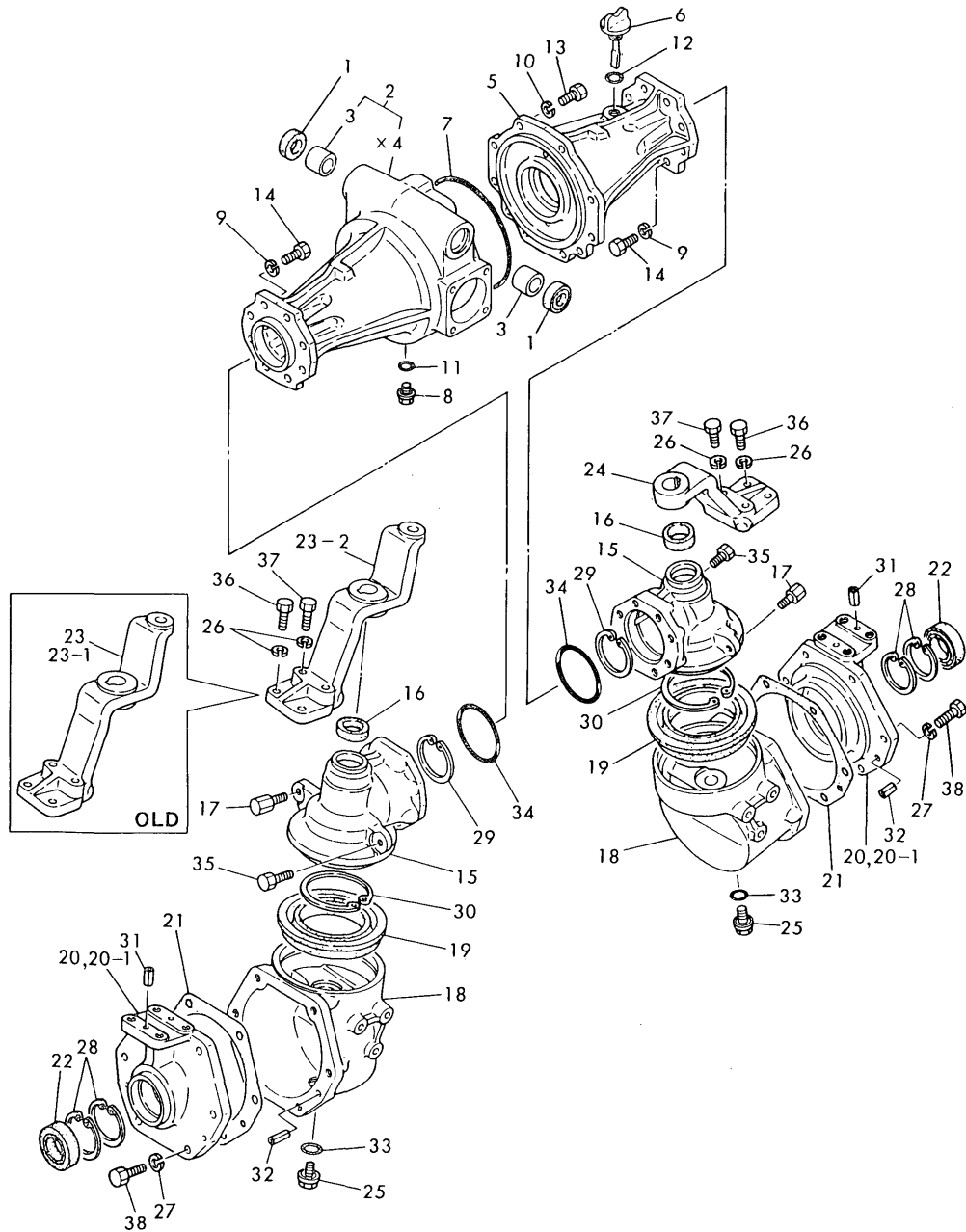
N:Old $\xrightarrow{\text{Yes}}$ New, Q:Old $\xrightarrow{\text{No}}$ New, R:Old $\xrightarrow{\text{Yes}}$ New, S:Old $\xrightarrow{\text{No}}$ New, W:Add, Z:Discontinued, F:Interchangeable by set, K:Q'ty Change
 ++ CONTINUE ++
 Copyright (C) YANMAR CO., LTD. All Rights Reserved.

Fig.34. CASING OF FRONT AXLE

(A)=YM220
(B)=YM220D
(C)=YM250

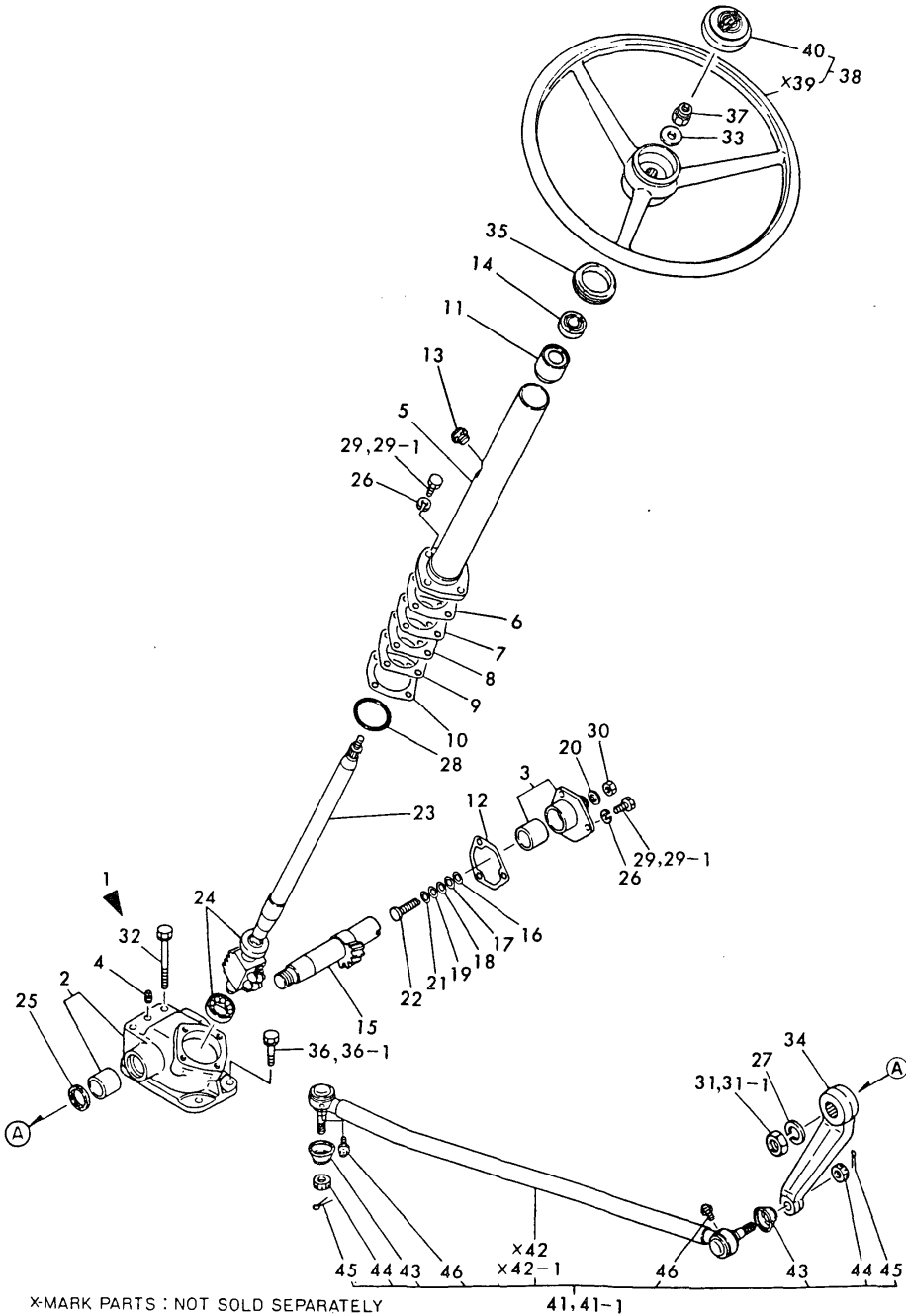
(D)=YM250D
(E)=
(F)=

Fig. 34 CASING OF FRONT AXLE
(For Model YM220D, YM250D)



No.	Lev.	Parts No.	Description	Q'ty						I	R
				(A)	(B)	(C)	(D)	(E)	(F)		
37	1	26116-100452	BOLT, M10X 45 PLATED		4		4				
38	1	26116-120352	BOLT, M12X 35 PLATED		12		12				

Fig. 35 STEERING



x-MARK PARTS : NOT SOLD SEPARATELY

41, 41-1

(A)=YM220
 (B)=YM220D
 (C)=YM250

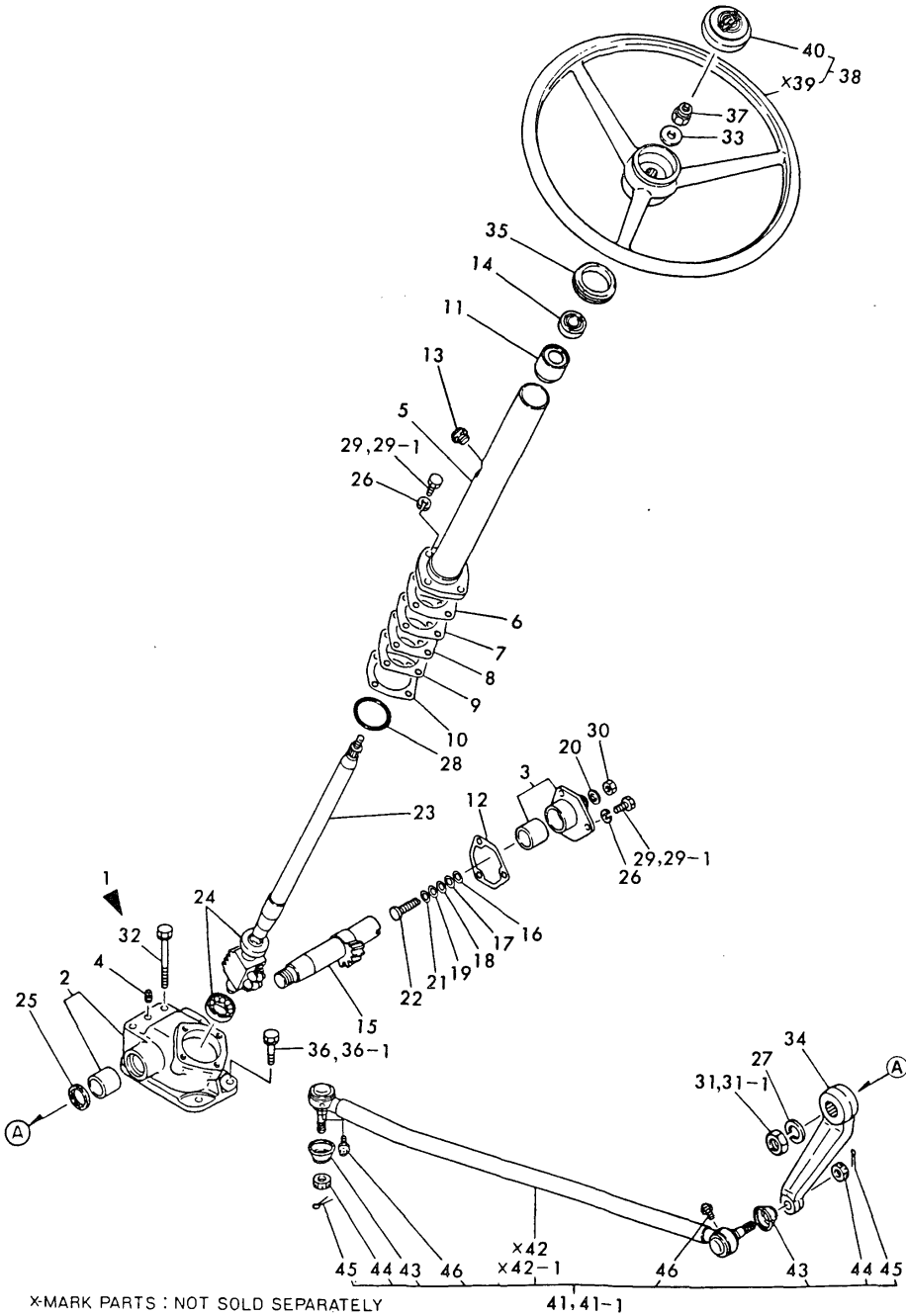
(D)=YM250D
 (E)=
 (F)=

No.	Lev.	Parts No.	Description	Q'ty						I	R
				(A)	(B)	(C)	(D)	(E)	(F)		
1	1	194241-15100	GEAR ASSY, STEERING	1	1	1	1				
2	2	194241-15110	BOX, GEAR	1	1	1	1				
3-1	2	194197-15150	COVER, SIDE	1	1	1	1				
4	2	194310-15170	PLUG	1	1	1	1				
5	2	194241-15200	COLUMN	1	1	1	1				
6	2	194750-15250	SHIM, T=0.5	1	1	1	1				
7	2	194750-15260	SHIM, T=0.7	1	1	1	1				
8	2	194750-15270	SHIM, T=0.08	1	1	1	1				
9	2	194750-15280	SHIM, T=0.1	1	1	1	1				
10	2	194750-15290	SHIM, T=0.2	1	1	1	1				
11	2	194241-15310	BUSH, COLUMN	1	1	1	1				
12	2	194310-15320	GASKET, SIDE COVER	1	1	1	1				
13	2	194440-15340	PLUG, BREATHER	1	1	1	1				
13-1	2	194440-15341	PLUG, BREATHER	1	1	1	1				S
(A=T/# 21338) (B=T/# 40816) (C=T/# 20055) (D=T/# 40001)											
14	2	194241-15350	SEAL, OIL TC1939.510	1	1	1	1				
15	2	194310-15411	SHAFT, SECTOR	1	1	1	1				
16	2	194080-15420	SHIM, T=1.525 A	1	1	1	1				
17	2	194080-15430	SHIM, T=1.555 B	1	1	1	1				
18	2	194080-15440	SHIM, T=1.585 C	1	1	1	1				
19	2	194080-15450	SHIM, T=1.615 D	1	1	1	1				
20	2	194464-15450	WASHER, SEAL 10	1	1	1	1				
21	2	194080-15460	SHIM, T=1.645 E	1	1	1	1				
22	2	194130-15470	SCREW, ADJUSTING	1	1	1	1				
23	2	194241-15500	NUT ASSY, BALL	1	1	1	1				
24	2	194750-15520	BEARING, VBT17Z-2A	2	2	2	2				
25	2	194740-55620	SEAL, OIL TC263807	1	1	1	1				
26	2	22217-080000	WASHER, SPRING 8	7	7	7	7				
27	2	22217-200000	WASHER, SPRING 20	1	1	1	1				
28	2	24321-000500	O-RING, 1AG50.0	1	1	1	1				Z
(A=T/# 21338) (B=T/# 40816) (C=T/# 20055) (D=T/# 40001)											
29	2	26116-080222	BOLT, M8X 22 PLATED	7	7						
29-1	2	26116-080202	BOLT, M8X 20 PLATED	7	7	7	7				N
(A=T/# 20581) (B=T/# 40368)											
30	2	26776-100002	NUT, LOCK M10	1	1	1	1				
31	2	26736-200002	NUT, M20	1	1						
31-1	2	26776-200002	NUT, LOCK M20	1	1	1	1				N
(A=T/# 21133) (B=T/# 40721)											
32	1	194310-15181	BOLT M10X 80	2	2	2	2				
33	1	194080-15550	WASHER, 12	1	1	1	1				
34	1	194197-15610-X	ARM, PITMAN	1	1	1	1				
35	1	194145-15651	GROMMET, 42	1	1	1	1				
36	1	194190-15560	BOLT	2	2						
36-1	1	26013-100302	BOLT, M10X 30	2	2	2	2				N
(A=*1982.10) (B=*1982.10)											
37	1	26356-120002	NUT, M12	1	1	1	1				
38	1	194420-15700	WHEEL ASSY, STEERING	1	1	1	1				
40	2	194440-15870	CAP, WHEEL	1	1	1	1				
41	1	194361-16100-X	ROD ASSY, DRAG	1	1						
41-1	1	194361-16101	ROD ASSY, DRAG	1	1	1	1				N
(A=T/# 20001) (B=T/# 40816)											

(A)=YM220
 (B)=YM220D
 (C)=YM250

(D)=YM250D
 (E)=
 (F)=

Fig. 35 STEERING



No.	Lev.	Parts No.	Description	Qty						I	R
				(A)	(B)	(C)	(D)	(E)	(F)		
43	2	194730-57220	COVER, DUCT	2	2	2	2				
44	2	194730-57241	NUT M12	2	2	2	2				
45	2	22417-300250	PIN, COTTER 3.0X25	2	2	2	2				
46	2	24761-060000	NIPPLE, GREASE MT6X1	2	2	2	2				

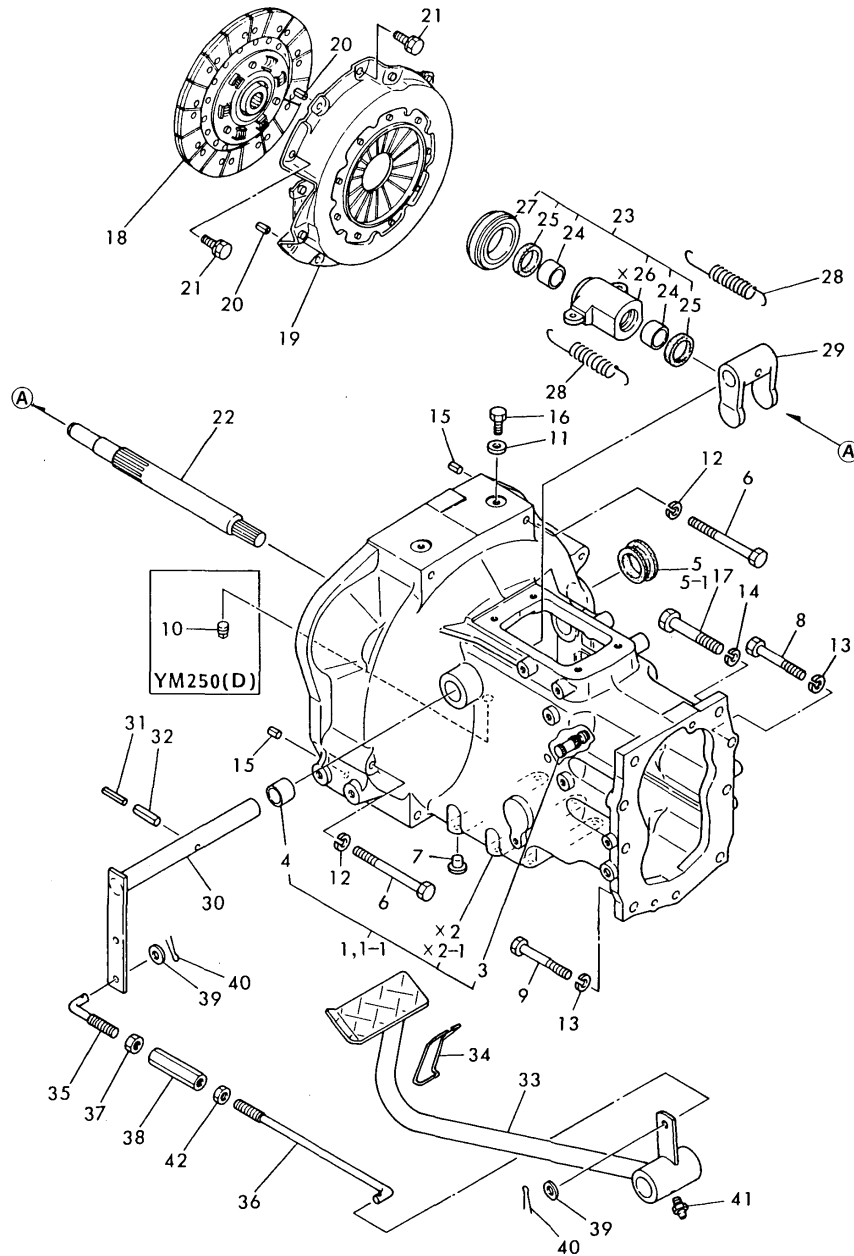
X-MARK PARTS : NOT SOLD SEPARATELY

41, 41-1

(A)=YM220
(B)=YM220D
(C)=YM250

(D)=YM250D
(E)=
(F)=

Fig. 36 CLUTCH HOUSING



*MARK PARTS : NOT SOLD SEPARATELY

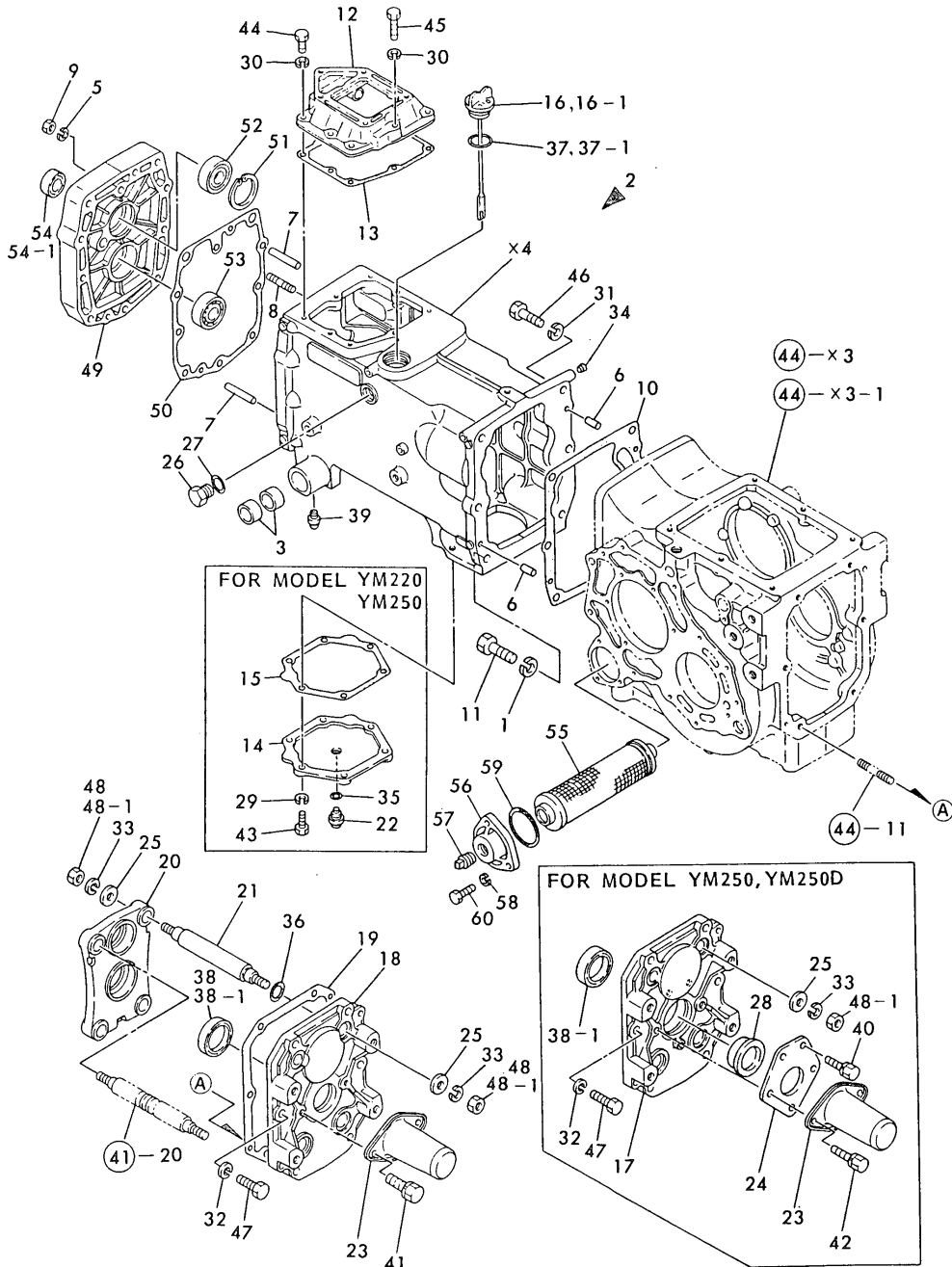
No.	Lev.	Parts No.	Description	Qty						I	R
				(A)	(B)	(C)	(D)	(E)	(F)		
1	1	194361-21101-X	HOUSING ASSY, CLUTCH	1	1						
1-1	1	194361-21102-X	HOUSING ASSY, CLUTCH	1	1	1	1				N
		(A=T/# 20581) (B=T/# 40368)									
3	2	194190-22250	PIN, HOOK	2	2	2	2				
4	2	194130-22280	BUSH, 20X25X25	2	2	2	2				
5	1	194450-21150	CAP, HOUSING	1	1						
5-1	1	194450-21151	CAP, HOUSING	1	1	1	1				N
		(A=T/# 20933) (B=T/# 40558)									
6	1	194197-21160	BOLT M10X115	7	7	7	7				
7	1	194150-21910	PLUG, 11.2	8	8	8	8				
8	1	194420-22610	BOLT M10X 65	2	2	2	2				
9	1	194361-22620	BOLT M10X70	5	5	5	5				
10	1	194151-36670	PLUG, PF02			1	1				
11	1	22137-080000	WASHER, 8	2	2	2	2				
12	1	22217-100000	WASHER, SPRING 10	7	7	7	7				
13	1	22217-100000	WASHER, SPRING 10	7	7	7	7				
14	1	22217-120000	WASHER, SPRING 12	2	2	2	2				
15	1	22351-080018	PIN, SPRING 8.0X18	2	2	2	2				
16	1	26116-080122	BOLT, M8X 12 PLATED	2	2	2	2				
17	1	26116-120652	BOLT, M12X 65 PLATED	2	2	2	2				
18	1	194361-21400	DISC, CLUTCH	1	1	1	1				
19	1	794150-21700	PLATE, PRESSURE	1	1	1	1				
20	1	22351-080018	PIN, SPRING 8.0X18	3	3	3	3				
21	1	26013-080162	BOLT, M8X 16	6	6	6	6				
22	1	194430-22110	SHAFT, MAIN DRIVE	1	1	1	1				
23	1	794150-22150	SLEEVE ASSY, BEARING	1	1	1	1				
24	2	194150-22160	BUSH, 22428224	2	2	2	2				
25	2	194130-22170	FELT	2	2	2	2				
27	2	194990-42710	BEARING, TK40-14	1	1	1	1				
28	1	194420-22240	SPRING, RETURN	2	2	2	2				
29	1	194197-22310	YOKE, CLUTCH SHIFT	1	1	1	1				
30	1	194420-22330	SHAFT, RELEASE	1	1	1	1				
31	1	22351-035032	PIN, SPRING 3.5X32	1	1	1	1				
32	1	22351-060032	PIN, SPRING 6.0X32	1	1	1	1				
33	1	194432-22411-X	PEDAL, CLUTCH	1	1	1	1				
34	1	194440-22441	LEVER, CLUTCH LOCK	1	1	1	1				
35	1	194150-22460	ROD, CLUTCH	1	1	1	1				
36	1	194420-22470	ROD, CLUTCH	1	1	1	1				
37	1	194150-22480	NUT, M10 L	1	1	1	1				
38	1	194130-37730	TURNBUCKLE M10X70	1	1	1	1				
39	1	22137-100000	WASHER, 10	2	2	2	2				
40	1	22417-200300	PIN, COTTER 2.0X30	2	2	2	2				
41	1	24761-010000	NIPPLE, GREASE M6F	1	1	1	1				
42	1	26716-100002	NUT, M10	1	1	1	1				

Fig.37. TRANSMISSION HOUSING

(A)=YM220
(B)=YM220D
(C)=YM250

(D)=YM250D
(E)=
(F)=

Fig. 37 TRANSMISSION HOUSING



No.	Lev.	Parts No.	Description	Qty						I	R
				(A)	(B)	(C)	(D)	(E)	(F)		
1	1	194274-13580	WASHER, SPRING 12	2	2	2	2				
2	1	194361-24102-X	HOUSING, TRANSMISSION	1	1	1	1				
3	2	194740-06080	BUSH, 25X30X18	4	4	4	4				
5	2	22217-100000	WASHER, SPRING 10	1	1	1	1				
6	2	22312-100180	PIN, PARALLEL M10X18	2	2	2	2				
7	2	22312-100500	PIN, PARALLEL M10X50	2	2	2	2				
8	2	26216-100452	STUD, M10X 45	1	1	1	1				
9	2	26716-100002	NUT, M10	1	1	1	1				
10	1	194420-24120	GASKET, MISSION CASE	1	1	1	1				
11	1	194361-24140	STUD, M12X40	2	2	2	2				
12	1	194361-24210-X	COVER, TRANS. CASE	1	1	1	1				
13	1	194361-24220	GASKET, MISSION CASE	1	1	1	1				
14	1	194420-24270	COVER, LOWER CASE	1	1						
15	1	194420-24280	GASKET	1	1						
16	1	194190-24290	DIPSTICK 33X157	1	1						
16-1	1	194361-24290	DIPSTICK, 33X157	1	1	1	1				N
(A=T/# 21133) (B=T/# 40721)											
17	1	194247-24350	COVER, MISSION			1	1				
18	1	194420-24350	COVER, MISSION REAR	1	1						
19	1	194420-24360	GASKET, REAR COVER	1	1	1	1				
20	1	194420-24371	PLATE, P.T.O.	1	1	1	1				
21	1	194361-24380	SUPPORT, P.T.O	3	3	3	3				
22	1	194151-24770	PLUG 14, OIL	1	1						
22-1	1	23491-140002	PLUG, 14	1	1						N
(A=T/# 21285) (C=T/# 20055)											
23	1	194190-26860	COVER, P.T.O. SHAFT	1	1	1	1				
24	1	194370-26880	PLATE, OIL SEAL			1	1				
25	1	194150-27870	WASHER, 16X26X2	6	6	6	6				
26	1	194464-45920	PLUG, 3/4-16UNF	1	1	1	1				
27	1	194464-45930	O-RING, 8-1	1	1	1	1				
28	1	1E7150-53190	OIL SEAL QLF305519			1	1				
29	1	22217-080000	WASHER, SPRING 8	6		6					
30	1	22217-080000	WASHER, SPRING 8	7	7	7	7				
31	1	22217-120000	WASHER, SPRING 12	4	4	4	4				
32	1	22217-120000	WASHER, SPRING 12	2	2	2	2				
33	1	22217-160000	WASHER, SPRING 16	6	6	6	6				
34	1	23873-010000	PLUG, R01	1	1	1	1				
34-1	1	23871-010000	PLUG, R01	1	1	1	1				N
(A=EXXX) (B=EXXX) (C=EXXX) (D=EXXX)											
35	1	24311-000160	O-RING, 1AP16.0	1		1					
36	1	24311-000160	O-RING, 1AP16.0	3	3	3	3				
37	1	24341-000320	O-RING, 1AS32.0	1	1						
37-1	1	24341-000300	O-RING, 1AS30.0	1	1	1	1				N
(A=T/# 21133) (B=T/# 40721)											
37-2	1	24351-020300	O-RING 1A 2030	1	1	1	1				N
(A=T/# 21133) (B=T/# 40721) (C=T/# 20041) (D=T/# 40001)											
38	1	194990-52600	SEAL TC 38 55 8, OIL	1	1						
38-1	1	24423-385508	SEAL, OIL TC385508	1	1	1	1				N
(A=T/# 21022) (B=T/# 40640)											
39	1	24761-010000	NIPPLE, GREASE M6F	2	2	2	2				
40	1	26013-060122	BOLT, M6X 12			3	3				

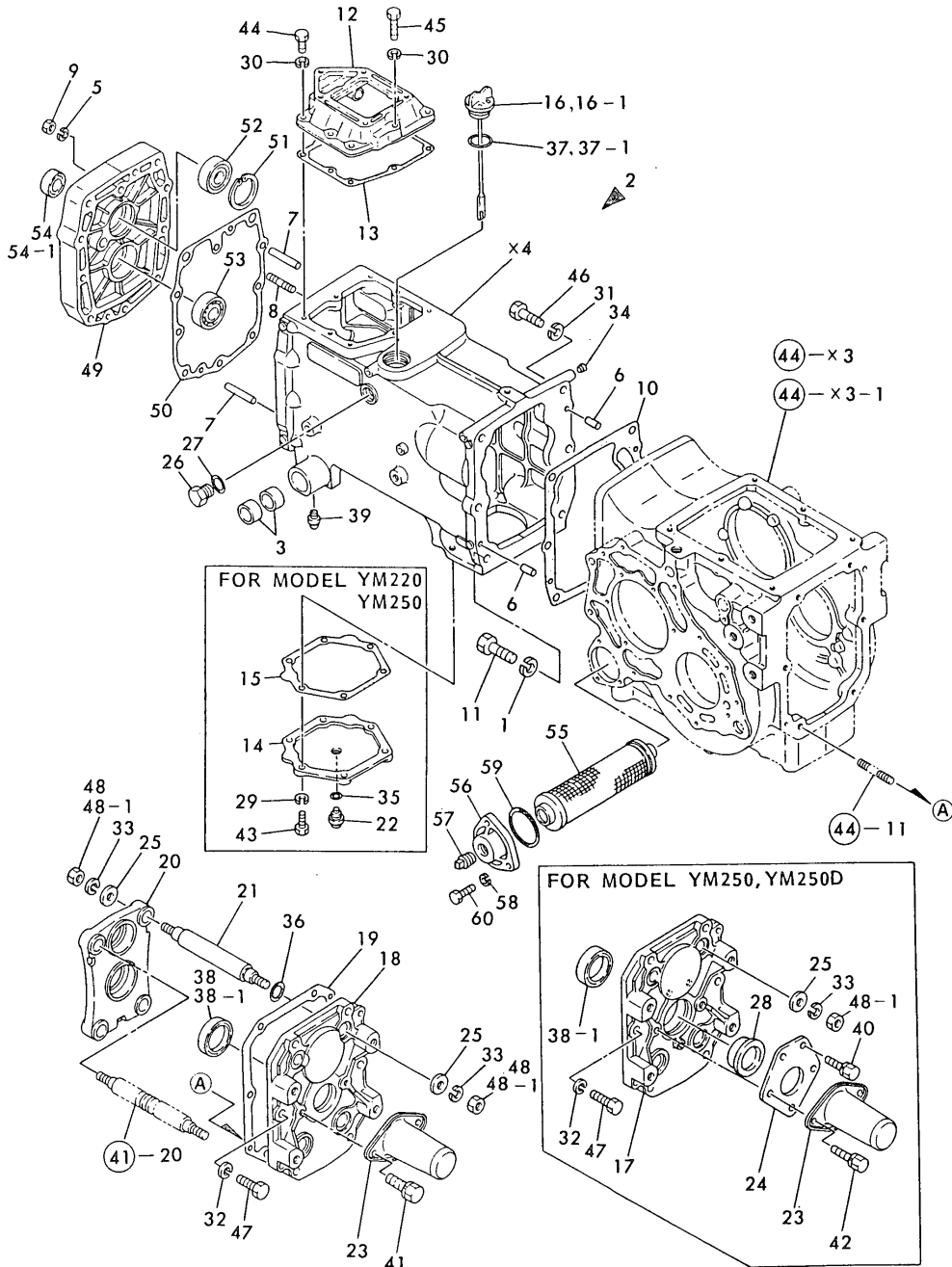
N:Old \xrightarrow{Yes} New, Q:Old \xrightarrow{No} New, R:Old \xrightarrow{Yes} New, S:Old \xrightarrow{No} New, W:Add, Z:Discontinued, F:Interchangeable by set, K:Q'ty Change
 ++ CONTINUE ++
 Copyright (C) YANMAR CO., LTD. All Rights Reserved.

Fig.37. TRANSMISSION HOUSING

(A)=YM220
(B)=YM220D
(C)=YM250

(D)=YM250D
(E)=
(F)=

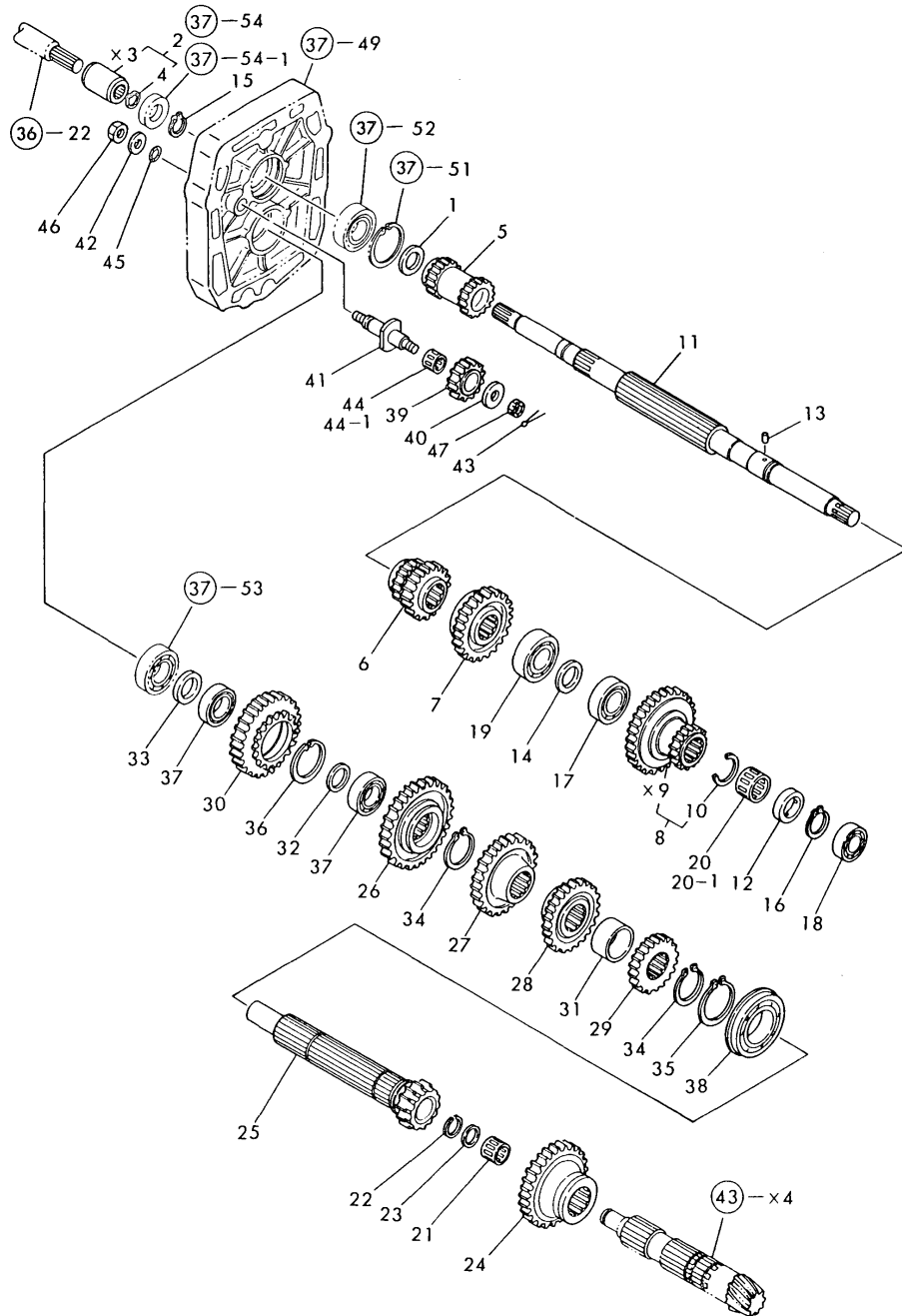
Fig. 37 TRANSMISSION HOUSING



No.	Lev.	Parts No.	Description	Qty						I	R
				(A)	(B)	(C)	(D)	(E)	(F)		
41	1	26013-080122	BOLT, M8X 12	2	2						
42	1	26014-060162	BOLT, M6X 16								
43	1	26116-080202	BOLT, M8X 20 PLATED	6	6						
44	1	26116-080202	BOLT, M8X 20 PLATED	6	6	6	6				
45	1	26116-080352	BOLT, M8X 35 PLATED	1	1	1	1				
46	1	26116-120352	BOLT, M12X 35 PLATED	4	4	4	4				
47	1	26116-120352	BOLT, M12X 35 PLATED	2	2	2	2				
48	1	26716-160002	NUT, M16	6	6						
48-1	1	26736-160002	NUT, M16	6	6	6	6				N
				(A=*)	(B=*)						
49	1	194361-24160-X	PLATE, CENTER	1	1	1	1				
50	1	194422-24181	GASKET, CENTER PLATE	1	1	1	1				
51	1	22252-000470	RING, 47	1	1	1	1				
52	1	24101-062044	BEARING, BALL 6204	1	1	1	1				
53	1	24101-062054	BEARING, BALL 6205	1	1	1	1				
54	1	194150-27810	SEAL SC20 35 8, OIL	1	1						
54-1	1	24411-203508	SEAL, OIL SC203508	1	1	1	1				N
				(A=T/# 21022)	(B=T/# 40640)						
55	1	194430-24930	STRAINER, OIL	1	1	1	1				
56	1	194197-24970-X	CAP, STRAINER	1	1	1	1				
57	1	194322-24980	PLUG, 1-2NPT	1	1	1	1				
58	1	22217-060000	WASHER, SPRING 6	3	3	3	3				
59	1	24341-000550	O-RING, 1AS55.0	1	1	1	1				
60	1	26116-060202	BOLT, M6X 20 PLATED	3	3	3	3				

Fig.38. TRANSMISSION GEARS

Fig. 38 TRANSMISSION GEARS



(A)=YM220
(B)=YM220D
(C)=YM250

(D)=YM250D
(E)=
(F)=

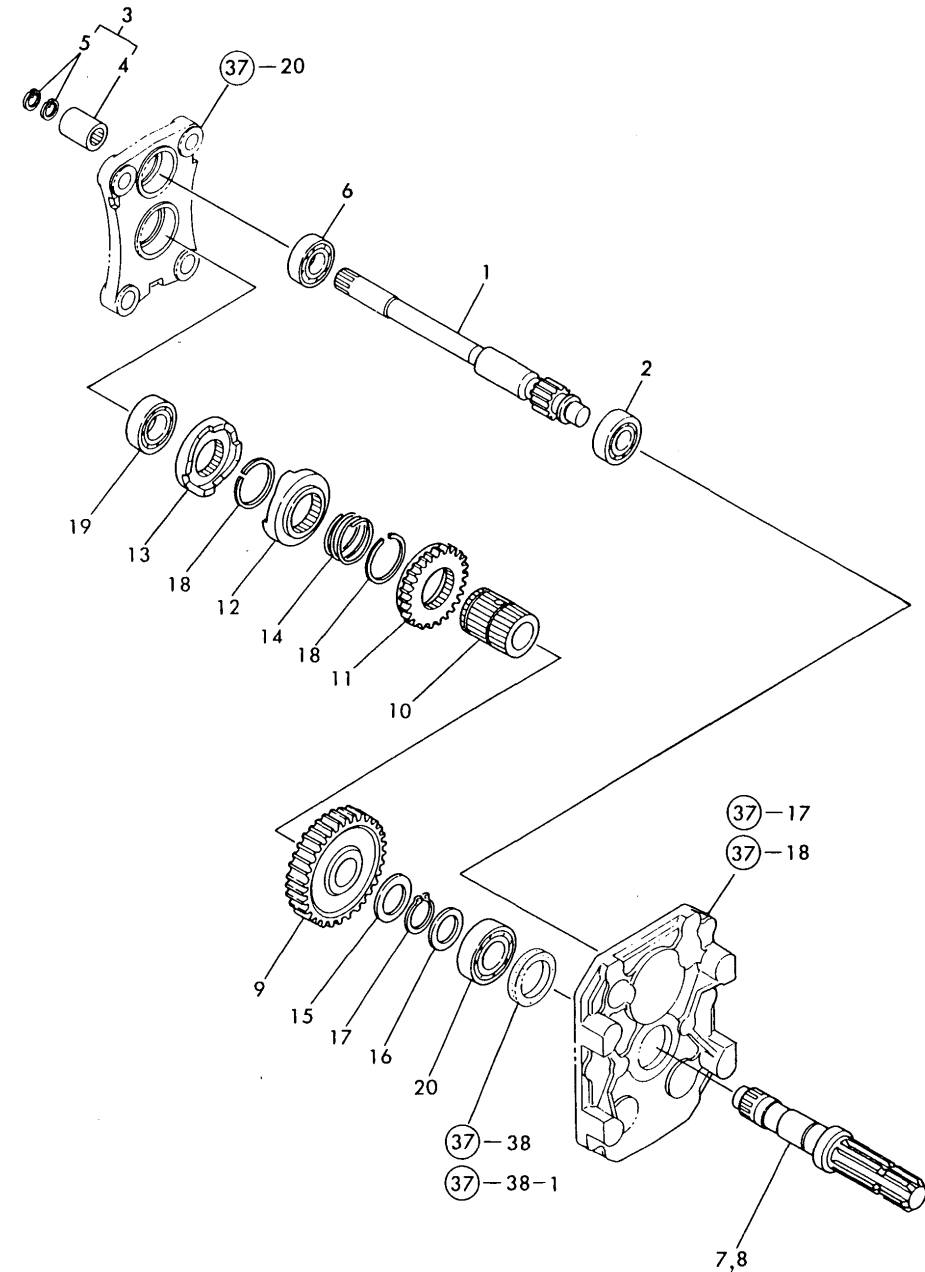
No.	Lev.	Parts No.	Description	Qty						I	R
				(A)	(B)	(C)	(D)	(E)	(F)		
1	1	1C6120-12360	SPACER, 20X32X3.2	1	1	1	1				
2	1	794300-25100	COUPLING ASSY	1	1	1	1				
4	2	22252-000150	RING, 15	1	1	1	1				
5	1	194361-25130	GEAR, MAIN	1	1	1	1				
6	1	194361-25140	GEAR, SLIDE	1	1	1	1				
7	1	194361-25150	GEAR, SLIDING	1	1	1	1				
8	1	194361-25160	GEAR, COUNTER	1	1	1	1				
10	2	194361-25250	CIRCLIP BR30	1	1	1	1				
11	1	194361-25210	SHAFT, MAIN	1	1	1	1				
12	1	194322-25260	WASHER 25X36X10	1	1	1	1				
13	1	194130-25270	PIN, PARALLEL 3.5X6	1	1	1	1				
14	1	194190-26840	SPACER, 25X35X1.6	1	1	1	1				
15	1	22242-000190	RING, 19	1	1	1	1				
16	1	22242-000250	RING, 25	1	1	1	1				
17	1	24101-060054	BEARING, BALL 6005	1	1	1	1				
18	1	24101-062044	BEARING, BALL 6204	1	1	1	1				
19	1	24101-062054	BEARING, BALL 6205	1	1	1	1				
20	1	194190-26430	NEEDLE BEARING	1	1						
20-1	1	24161-253017	BEARING, 253017	1	1	1	1				N
				(A=T/# 20662)	(B=T/# 40424)						
21	1	194310-25830	NEEDLE BEARING	1	1	1	1				
22	1	194310-25840	CIRCLIP WR18	1	1	1	1				
23	1	194310-25850	COLLAR 18X23X3	1	1	1	1				
24	1	194361-25960	GEAR, SLIDE	1	1	1	1				
25	1	194361-25610	SHAFT, DRIVEN	1	1	1	1				
26	1	194361-25620	GEAR, DRIVEN	1	1	1	1				
27	1	194361-25630	GEAR, DRIVEN	1	1	1	1				
28	1	194361-25640	GEAR, DRIVEN	1	1	1	1				
29	1	194361-25650	GEAR, DRIVEN	1	1	1	1				
30	1	194361-25660	GEAR, DRIVEN	1	1	1	1				
31	1	194361-25670	COLLAR 36X43X22	1	1	1	1				
32	1	194361-25681	SPACER	1	1	1	1				
33	1	194110-26370	SPACER 25X36X4	1	1	1	1				
34	1	22242-000340	RING, 34	2	2	2	2				
35	1	22242-000400	RING, 40	1	1	1	1				
36	1	22252-000470	RING, 47	1	1	1	1				
37	1	24101-060054	BEARING, BALL 6005	2	2	2	2				
38	1	24121-060084	BEARING, BALL 6008NR	1	1	1	1				
39	1	194361-25910	GEAR, REVERSE IDLE	1	1	1	1				
40	1	194361-25920	WASHER, THRUST	1	1	1	1				
41	1	194361-25950	SHAFT, REVERSE IDLE	1	1	1	1				
42	1	22117-120000	WASHER, 12	1	1	1	1				
43	1	22417-250250	PIN, COTTER 2.5X25	1	1	1	1				
44	1	1C6140-13710	NEEDLE BEARING	1	1						
44-1	1	24161-172117	BEARING, 172117	1	1	1	1				N
				(A=T/# 20662)	(B=T/# 40424)						
45	1	24311-000100	O-RING, 1AP10.0	1	1	1	1				
46	1	26346-120002	NUT, M12	1	1	1	1				
47	1	26837-100002	NUT, CASTLE M10	1	1	1	1				

Fig.39. P.T.O. DRIVING SHAFT

(A)=YM220
(B)=YM220D
(C)=YM250

(D)=YM250D
(E)=
(F)=

Fig. 39 P.T.O. DRIVING SHAFT



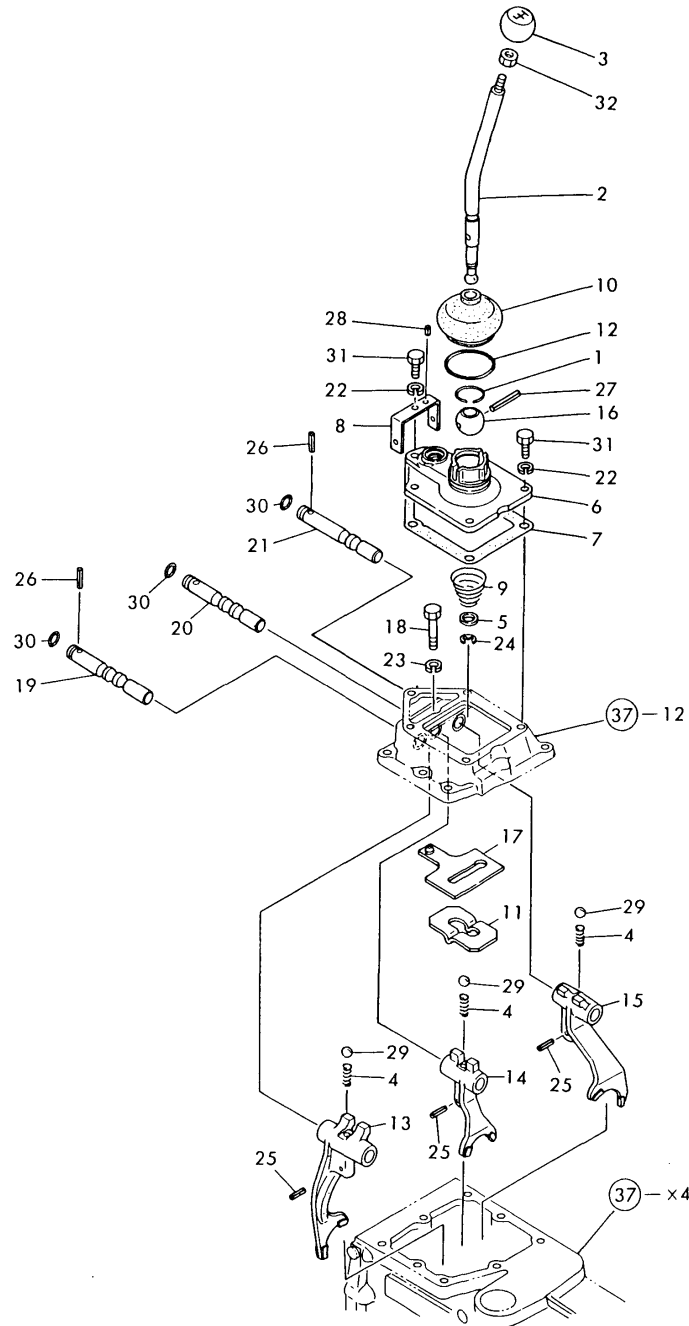
No.	Lev.	Parts No.	Description	Q'ty						I	R
				(A)	(B)	(C)	(D)	(E)	(F)		
1	1	194361-26110	SHAFT, PTO PINION	1	1	1	1				
2	1	194361-26120	BALL BEARING	1	1	1	1				
3	1	794190-26180	COUPLING ASSY	1	1	1	1				
4	2	194190-26180	JOINT	1	1	1	1				
5	2	22252-000170	RING, 17	2	2	2	2				
6	1	24101-062044	BEARING, BALL 6204	1	1	1	1				
7	1	194197-26500	SHAFT, P.T.O.	1	1						
8	1	194247-26500	SHAFT, P.T.O.			1	1				
9	1	194361-26550	GEAR, P.T.O.	1	1	1	1				
10	1	194197-26670	COLLAR, SLIDER	1	1	1	1				
11	1	194197-26680	SLIDER	1	1	1	1				
12	1	194197-26690	CAM (A), PTO CLUTCH	1	1	1	1				
13	1	194197-26700	CAM (B), PTO CLUTCH	1	1	1	1				
14	1	194197-26710	SPRING, 23	1	1	1	1				
15	1	194191-28350	WASHER, 30X45X2.5	1	1	1	1				
16	1	194310-37560	WASHER	1	1	1	1				
17	1	22242-000290	RING, 29	1	1	1	1				
18	1	22292-000450	RING, S-45	2	2	2	2				
19	1	24101-062054	BEARING, BALL 6205	1	1	1	1				
20	1	24101-062064	BEARING, BALL 6206	1	1	1	1				

Fig.40. MAIN SHIFT LEVER

(A)=YM220
(B)=YM220D
(C)=YM250

(D)=YM250D
(E)=
(F)=

Fig. 40 MAIN SHAFT LEVER



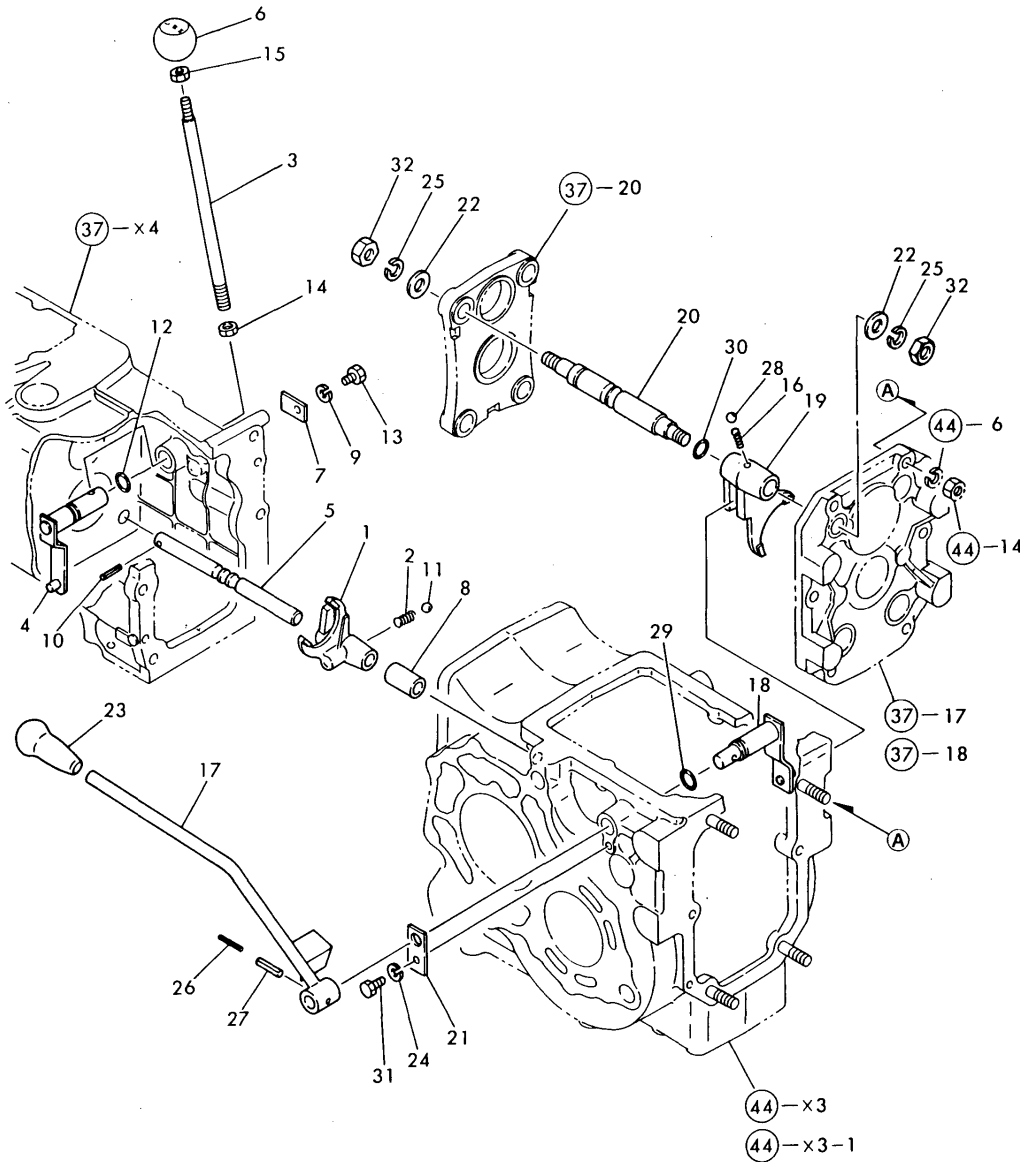
No.	Lev.	Parts No.	Description	Qty						I	R
				(A)	(B)	(C)	(D)	(E)	(F)		
1	1	1A1040-26320	CIRCLIP, 30-H	1	1	1	1				
2	1	194361-27110-X	LEVER, GEAR SHIFT	1	1	1	1				
3	1	194197-27121	KNOB, LEVER	1	1	1	1				
4	1	194310-27180	SPRING, 22.2	3	3	3	3				
5	1	194080-27190	WASHER, 13X19X2	1	1	1	1				
6	1	194361-27210	RETAINER	1	1	1	1				
7	1	194361-27220	GASKET	1	1	1	1				
8	1	194361-27230	STAY, SAFETY SWITCH	1	1	1	1				
9	1	194422-27230	SPRING	1	1	1	1				
10	1	194080-27252	BOOT, RUBBER	1	1	1	1				
11	1	194150-27260	GUIDE, LEVER	1	1	1	1				
12	1	194190-27280	O-RING	1	1	1	1				
13	1	194361-27300	FORK, SHIFT	1	1	1	1				
14	1	194361-27310	FORK, SHIFT	1	1	1	1				
15	1	194361-27320	FORK, SHIFT 4	1	1	1	1				
16	1	1E4030-27340	BALL, SHIFTER	1	1	1	1				
17	1	194361-27372-X	GUIDE	1	1	1	1				
18	1	194361-27380	REAMER BOLT 8X35	1	1	1	1				
19	1	194361-27450	SHAFT, FORK	1	1	1	1				
20	1	194361-27460	SHAFT, FORK	1	1	1	1				
21	1	194361-27470	SHAFT, FORK	1	1	1	1				
22	1	22217-080000	WASHER, SPRING 8	5	5	5	5				
23	1	22217-090000	WASHER, SPRING 3/8	1	1	1	1				
24	1	22272-000100	RING, E-10	1	1	1	1				
25	1	22351-030018	PIN, SPRING 3.0X18	3	3	3	3				
26	1	22351-050025	PIN, SPRING 5.0X25	2	2	2	2				
27	1	22351-050040	PIN, SPRING 5.0X40	1	1	1	1				
28	1	22351-060012	PIN, SPRING 6.0X12	1	1	1	1				
29	1	24190-100001	BALL, STEEL 5/16	3	3	3	3				
30	1	24311-000110	O-RING, 1AP11.0	3	3	3	3				
31	1	26116-080252	BOLT, M8X 25 PLATED	5	5	5	5				
32	1	26756-100002	NUT, LOCK M10	1	1	1	1				

Fig.41. RANGE SHIFT LEVER

(A)=YM220
(B)=YM220D
(C)=YM250

(D)=YM250D
(E)=
(F)=

Fig. 41 RANGE SHIFT LEVER



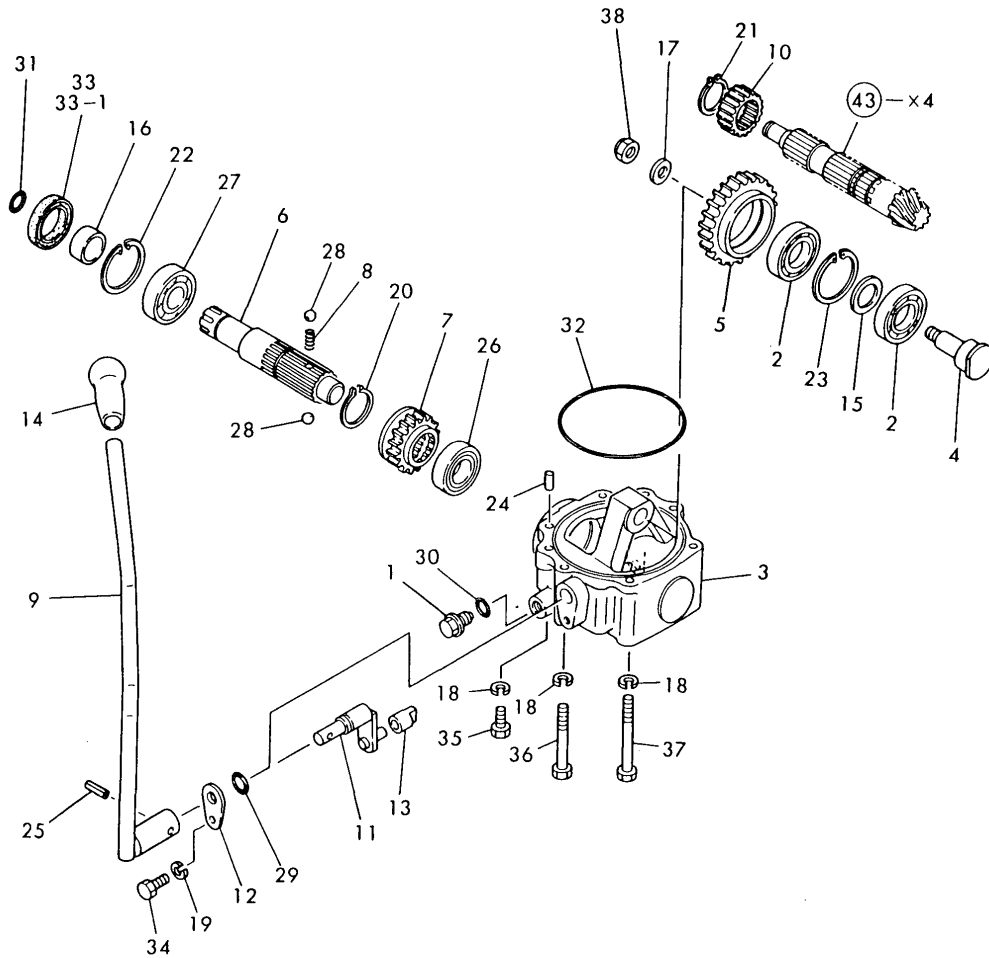
No.	Lev.	Parts No.	Description	Q'ty						I	R
				(A)	(B)	(C)	(D)	(E)	(F)		
1	1	194420-27160	FORK, SHIFT	1	1	1	1				
2	1	194310-27180	SPRING, 22.2	1	1	1	1				
3	1	194361-27350-X	LEVER, RANGE SHIFT	1	1	1	1				
4	1	194361-27360	ARM, SHIFT	1	1	1	1				
5	1	194361-27510	SHAFT, FORK	1	1	1	1				
6	1	194197-27521	KNOB, SHIFT	1	1	1	1				
7	1	194241-27540	PLATE, KEEP	1	1	1	1				
8	1	194361-27550	COLLAR 15X22X37	1	1	1	1				
9	1	22217-080000	WASHER, SPRING 8	1	1	1	1				
10	1	22351-060025	PIN, SPRING 6.0X25	1	1	1	1				
11	1	24190-100001	BALL, STEEL 5/16	1	1	1	1				
12	1	24311-000160	O-RING, 1AP16.0	1	1	1	1				
13	1	26116-080162	BOLT, M8X 16 PLATED	1	1	1	1				
14	1	26716-120002	NUT, M12	1	1	1	1				
15	1	26756-100002	NUT, LOCK M10	1	1	1	1				
16	1	194310-27180	SPRING, 22.2	1	1	1	1				
17	1	194363-27560-X	LEVER, SHIFT	1	1	1	1				
18	1	194361-27570	ARM, P.T.O. SHIFT	1	1	1	1				
18-1	1	194361-27571	ARM, P.T.O. SHIFT	1	1	1	1				N
(A=T/# 21338) (B=T/# 40816) (C=T/# 20055) (D=T/# 40001)											
19	1	194361-27640	FORK, SHIFT	1	1	1	1				
20	1	194361-27660	SHAFT, FORK	1	1	1	1				
21	1	194150-27760	PLATE, KEEP	1	1	1	1				
22	1	194150-27870	WASHER, 16X26X2	2	2	2	2				
23	1	194145-27960	KNOB	1	1	1	1				
24	1	22217-080000	WASHER, SPRING 8	1	1	1	1				
25	1	22217-160000	WASHER, SPRING 16	2	2	2	2				
26	1	22351-035032	PIN, SPRING 3.5X32	1	1	1	1				
27	1	22351-060032	PIN, SPRING 6.0X32	1	1	1	1				
28	1	24190-100001	BALL, STEEL 5/16	1	1	1	1				
29	1	24311-000160	O-RING, 1AP16.0	1	1	1	1				
30	1	24341-000160	O-RING, 1AS16.0	1	1	1	1				
31	1	26116-080162	BOLT, M8X 16 PLATED	1	1	1	1				
32	1	26736-160002	NUT, M16	2	2	2	2				

Fig.42. FRONT DRIVE & SHIFT

(A)=YM220
(B)=YM220D
(C)=YM250

(D)=YM250D
(E)=
(F)=

Fig. 42 FRONT DRIVE & SHIFT



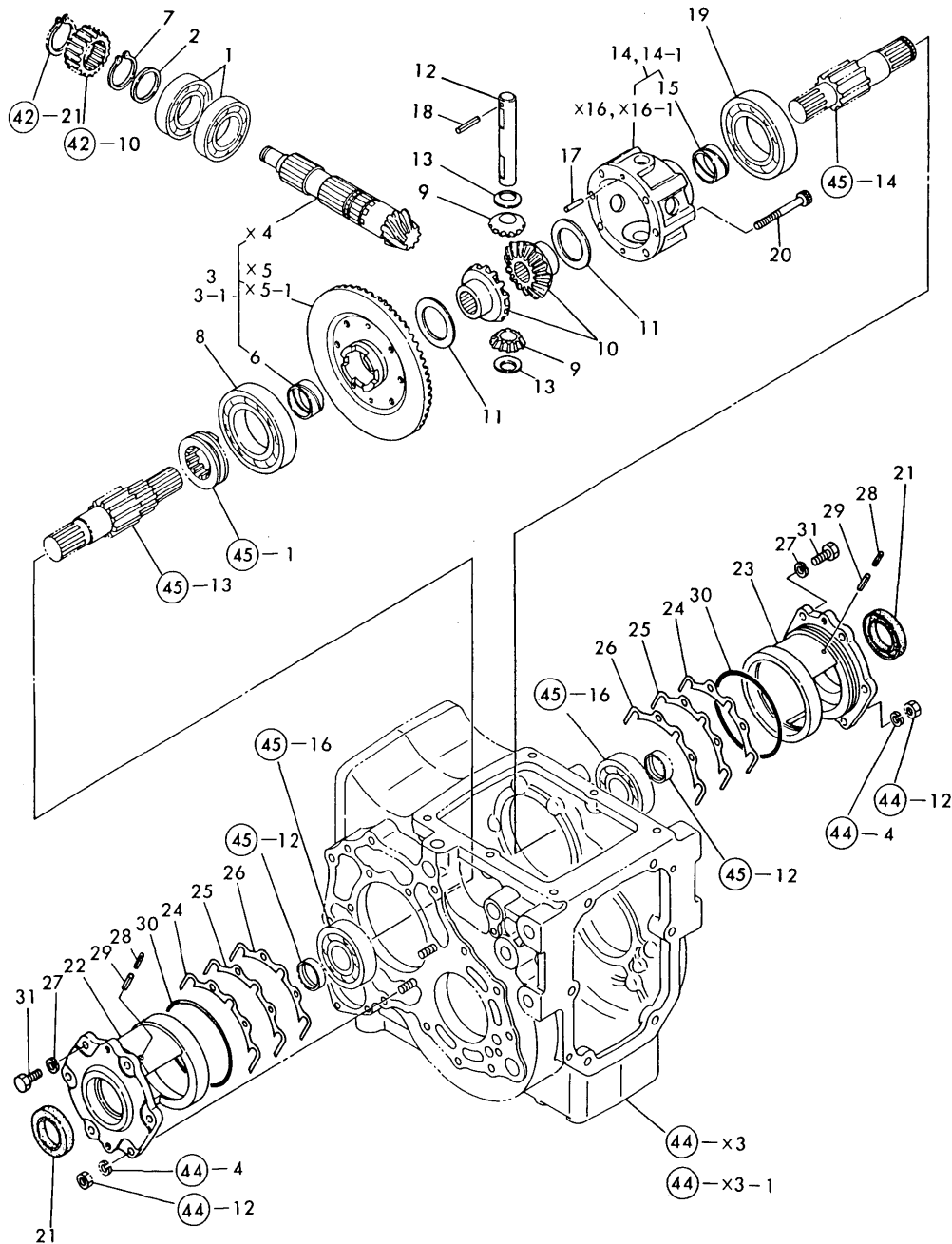
No.	Lev.	Parts No.	Description	Q'ty						I	R
				(A)	(B)	(C)	(D)	(E)	(F)		
1	1	194151-24770	PLUG 14, OIL		1		1				
1-1	1	23491-140002	PLUG, 14		1		1				N
		(B=T/# 40876)									
		(D=T/# 40021)									
2	1	194430-25460	BEARING, BALL 16006		2		2				
3	1	194362-28111	HOUSING, FRONT DRIVE		1		1				
4	1	194362-28150	SHAFT, FRONT IDLE		1		1				
5	1	194362-28161	GEAR, FRONT IDLE		1		1				
6	1	194421-28211	SHAFT, FRONT DRIVE		1		1				
7	1	194362-28221	GEAR, FRONT DRIVE		1		1				
8	1	194311-28230	SPRING, 21.2		1		1				
9	1	194362-28230	LEVER, SHIFT		1		1				
10	1	194362-28281	PINION, FRONT DRIVE		1		1				
11	1	194421-28310	ARM, SHIFT		1		1				
12	1	194311-28320	PLATE, KEEP		1		1				
13	1	194191-28451	BLOCK, SHIFT		1		1				
14	1	194191-28480	KNOB, SHIFT		1		1				
15	1	194310-37560	WASHER		1		1				
16	1	1E6190-54080	SLEEVE SI25X30X13		1		1				
17	1	22117-120000	WASHER, 12		1		1				
18	1	22217-080000	WASHER, SPRING 8		6		6				
19	1	22217-080000	WASHER, SPRING 8		1		1				
20	1	22242-000290	RING, 29		1		1				
21	1	22242-000340	RING, 34		1		1				
22	1	22252-000520	RING, 52		1		1				
23	1	22252-000550	RING, 55		1		1				
24	1	22312-100140	PIN, PARALLEL M10X14		2		2				
25	1	22351-060025	PIN, SPRING 6.0X25		1		1				
26	1	24101-060054	BEARING, BALL 6005		1		1				
27	1	24101-062054	BEARING, BALL 6205		1		1				
28	1	24190-080001	BALL, STEEL 1/4		2		2				
29	1	24311-000110	O-RING, 1AP11.0		1		1				
30	1	24311-000160	O-RING, 1AP16.0		1		1				
31	1	24311-000210	O-RING, 1AP21.0		1		1				
32	1	24321-001150	O-RING, 1AG115.0		1		1				
33	1	1A1040-28820	SEAL TC30 52 8, OIL		1						
33-1	1	24421-305208	SEAL, OIL TC305208		1		1				N
		(B=T/# 40640)									
34	1	26116-080162	BOLT, M8X 16 PLATED		1		1				
35	1	26116-080202	BOLT, M8X 20 PLATED		1		1				
36	1	26116-080752	BOLT, M8X 75 PLATED		3		3				
37	1	26116-080802	BOLT, M8X 80 PLATED		2		2				
38	1	26346-120002	NUT, M12		1		1				

Fig.43. DIFF. GEARS OF REAR AXLE

(A)=YM220
(B)=YM220D
(C)=YM250

(D)=YM250D
(E)=
(F)=

Fig. 43 DIFFERENTIAL GEARS OF REAR AXLE



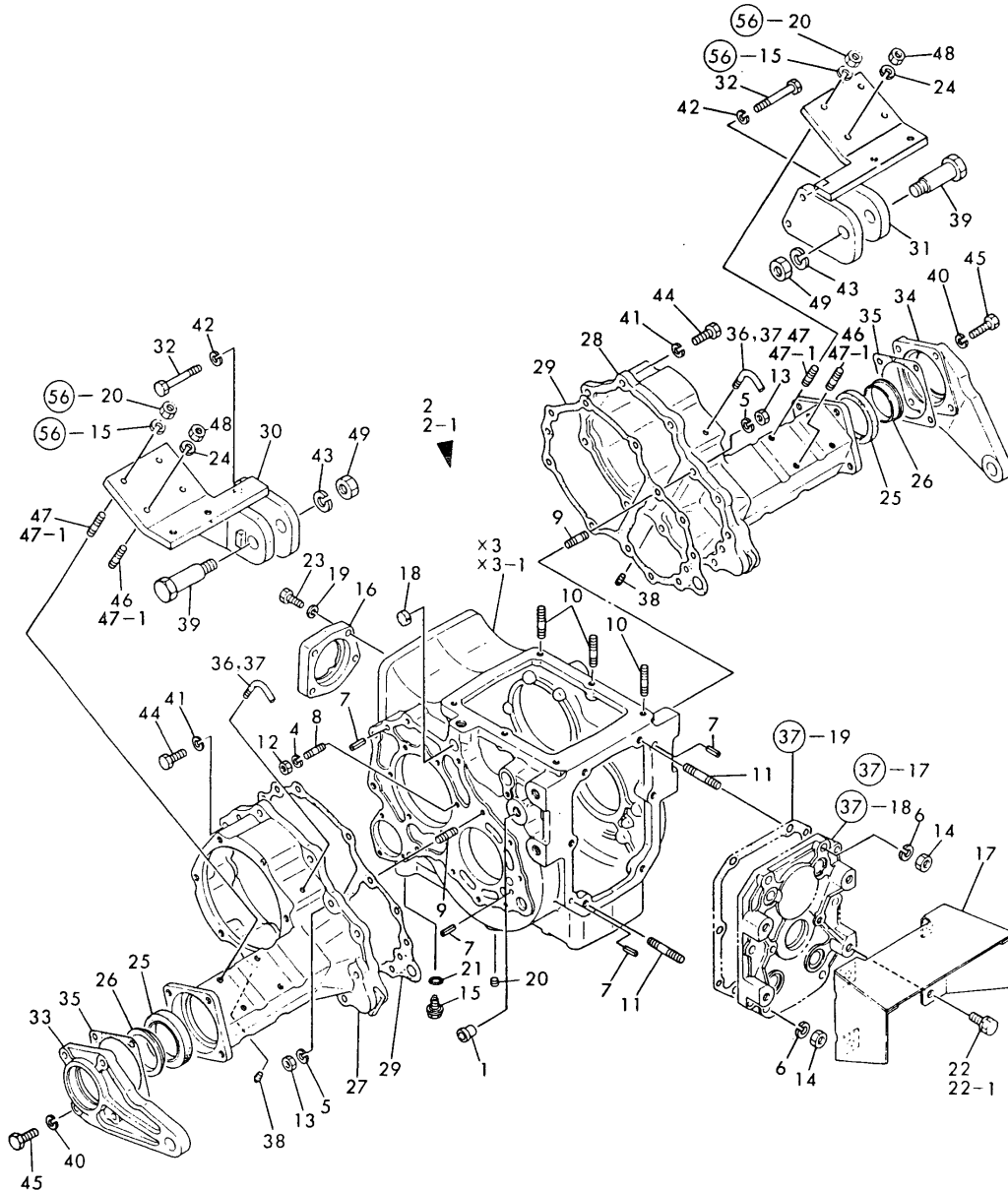
No.	Lev.	Parts No.	Description	Qty						I	R
				(A)	(B)	(C)	(D)	(E)	(F)		
1	1	194430-25810	BEARING, BALL TMB207	2	2	2	2				
2	1	194420-25860	COLLAR 35X47X4.5	1	1	1	1				
3	1	194361-31300	GEAR W/COUNTERSHAFT	1	1						
3-1	1	194361-31301	GEAR ASSY, RING	1	1	1	1				N
		(A=T/# 21133) (B=T/# 40721)									
6	2	194430-31490	BUSH, 38X41X18	1	1	1	1				
7	1	22242-000340	RING, 34	1	1	1	1				
8	1	24101-062114	BEARING, BALL 6211	1	1	1	1				
9	1	194321-13230	PINION, DIFFERENTIAL	2	2	2	2				
10	1	194430-31510	GEAR, DIFFERENTIAL	2	2	2	2				
11	1	194430-31610	WASHER, DIFFERENTIAL	2	2	2	2				
12	1	194430-31820	SHAFT, DIFFERENTIAL	1	1	1	1				
13	1	194430-31850	WASHER, DIFFERENTIAL	2	2	2	2				
14	1	194430-32100	HOUSING ASSY, DIFF.	1	1						
14-1	1	194430-32101	HOUSING ASSY	1	1	1	1				N
		(A=T/# 21133) (B=T/# 40721)									
15	2	194430-31490	BUSH, 38X41X18	1	1	1	1				
17	1	22312-080160	PIN, PARALLEL M8X16	2	2	2	2				W
		(A=T/# 21133) (B=T/# 40721)									
18	1	22351-050030	PIN, SPRING 5.0X30	1	1	1	1				
19	1	24101-060124	BEARING, BALL 6012	1	1	1	1				
20	1	26450-080652	BOLT, M8X 65	6	6	6	6				
21	1	194420-24340	SEAL, OIL TC35558	2	2	2	2				
22	1	194430-32300	CARRIER,DIFFERENTIAL	1	1	1	1				
23	1	194430-32310	CARRIER,DIFFERENTIAL	1	1	1	1				
24	1	194420-32350	SHIM T=0.1	8	8	8	8				
25	1	194420-32360	SHIM T=0.3	4	4	4	4				
26	1	194420-32370	SHIM T=0.5	4	4	4	4				
27	1	22217-080000	WASHER, SPRING 8	8	8	8	8				
28	1	22351-035025	PIN, SPRING 3.5X25	4	4	4	4				
29	1	22351-060025	PIN, SPRING 6.0X25	4	4	4	4				
30	1	24321-001000	O-RING, 1AG100.0	2	2	2	2				
31	1	26116-080252	BOLT, M8X 25 PLATED	8	8	8	8				

Fig.44. REAR AXLE HOUSING

(A)=YM220
(B)=YM220D
(C)=YM250

(D)=YM250D
(E)=
(F)=

Fig. 44 REAR AXLE HOUSING



X-MARK PARTS : NOT SOLD SEPARATELY

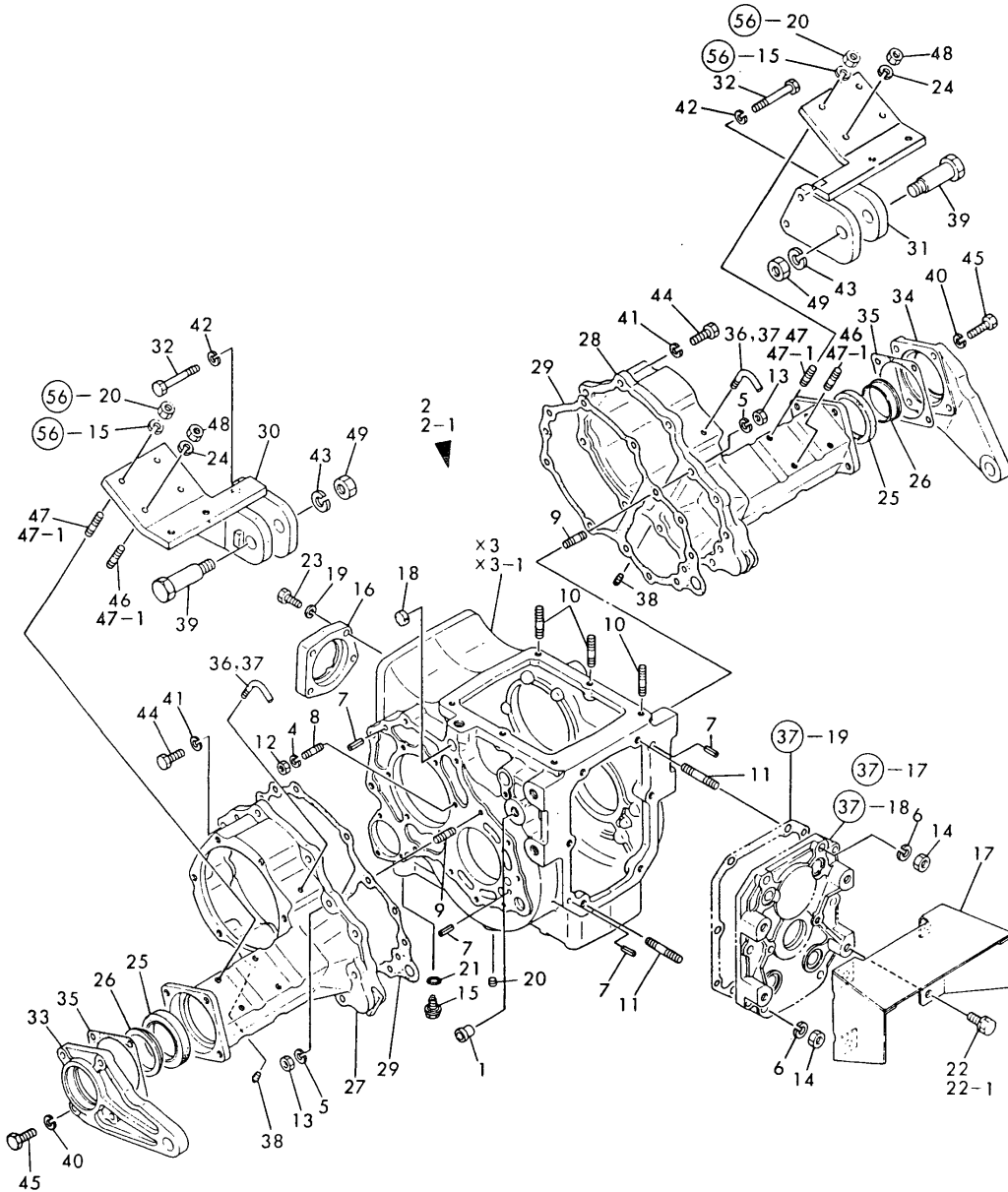
No.	Lev.	Parts No.	Description	Qty						I	R
				(A)	(B)	(C)	(D)	(E)	(F)		
1	1	194450-11190	PLUG, 15.0	6	6	6	6				
2	1	194432-24300-X	CASE ASSY, REAR AXLE	1	1						
2-1	1	194432-24301	CASE ASSY, REAR AXLE	1	1	1	1			N	
(A=T/# 20620) (B=T/# 40609)											
4	2	22217-080000	WASHER, SPRING 8	4	4	4	4				
5	2	22217-100000	WASHER, SPRING 10	4	4	4	4				
6	2	22217-120000	WASHER, SPRING 12	4	4	4	4				
7	2	22351-100020	PIN, SPRING 10.0X20	6	6	6	6				
8	2	26216-080182	STUD, M8X 18	4	4	4	4				
9	2	26216-100252	STUD, M10X 25	4	4	4	4				
10	2	26216-100322	STUD, M10X 32	3	3	3	3				
11	2	26216-120352	STUD, M12X 35	4	4	4	4				
12	2	26716-080002	NUT, M8	4	4	4	4				
13	2	26716-100002	NUT, M10	4	4	4	4				
14	2	26716-120002	NUT, M12	4	4	4	4				
15	1	194151-24770	PLUG 14, OIL	1	1	1	1				
15-1	1	23491-140002	PLUG, 14	1	1	1	1			N	
(A=T/# 21285) (B=T/# 40797) (C=T/# 20055) (D=T/# 40001)											
16	1	194430-25830	RETAINER, BEARING	1	1	1	1				
17	1	194197-26911	GUARD, PTO SHAFT	1	1	1	1				
18	1	194130-33190	CAP, SEAL 20X8	1	1	1	1				
19	1	22217-080000	WASHER, SPRING 8	4	4	4	4				
20	1	23873-030000	PLUG, R03	1	1	1	1				
20-1	1	23871-030000	PLUG, R03	1	1	1	1			N	
(A=E=XXX) (B=E=XXX) (C=E=XXX) (D=E=XXX)											
21	1	24311-000160	O-RING, 1AP16.0	1	1	1	1				
22	1	26013-120222	BOLT, M12X 22	4	4						
22-1	1	26013-120252	BOLT, M12X 25	4	4	4	4			N	
(A=T/# 20581) (B=T/# 40368)											
23	1	26116-080302	BOLT, M8X 30 PLATED	4	4	4	4				
24	1	194274-13570	WASHER, SPRING 10	4	4	4	4				
25	1	194447-14140	SEAL, OIL TC6Y577512	2	2	2	2				
26	1	194447-14180	SLEEVE, SL 52X57X18	2	2	2	2				
27	1	194432-32600-X	HOUSING, REAR AXLE	1	1	1	1				
28	1	194432-32610-X	HOUSING, REAR AXLE	1	1	1	1				
29	1	194420-32620	GASKET, HOUSING	2	2	2	2				
30	1	194432-32820-X	BRACKET, LINK	1	1	1	1				
31	1	194432-32830-X	BRACKET, LINK	1	1	1	1				
32	1	194432-32850	BOLT M10X 65	4	4	4	4				
33	1	194432-34310-X	CASE, OIL SEAL	1	1	1	1				
34	1	194432-34320-X	CASE, OIL SEAL	1	1	1	1				
35	1	194420-34340	GASKET	2	2	2	2				
36	1	194145-36651	BREATHER, AIR	2	2						
37	1	194150-36651	BREATHER, AIR			2	2				
38	1	194151-36670	PLUG, PF02	2	2	2	2				
39	1	194275-73180	BOLT	2	2	2	2				
40	1	22217-100000	WASHER, SPRING 10	8	8	8	8				
41	1	22217-100000	WASHER, SPRING 10	14	14	14	14				
42	1	22217-100000	WASHER, SPRING 10	4	4	4	4				
43	1	22217-160000	WASHER, SPRING 16	2	2	2	2				
44	1	26116-100302	BOLT, M10X 30 PLATED	14	14	14	14				

Fig.44. REAR AXLE HOUSING

(A)=YM220
(B)=YM220D
(C)=YM250

(D)=YM250D
(E)=
(F)=

Fig. 44 REAR AXLE HOUSING



X-MARK PARTS : NOT SOLD SEPARATELY

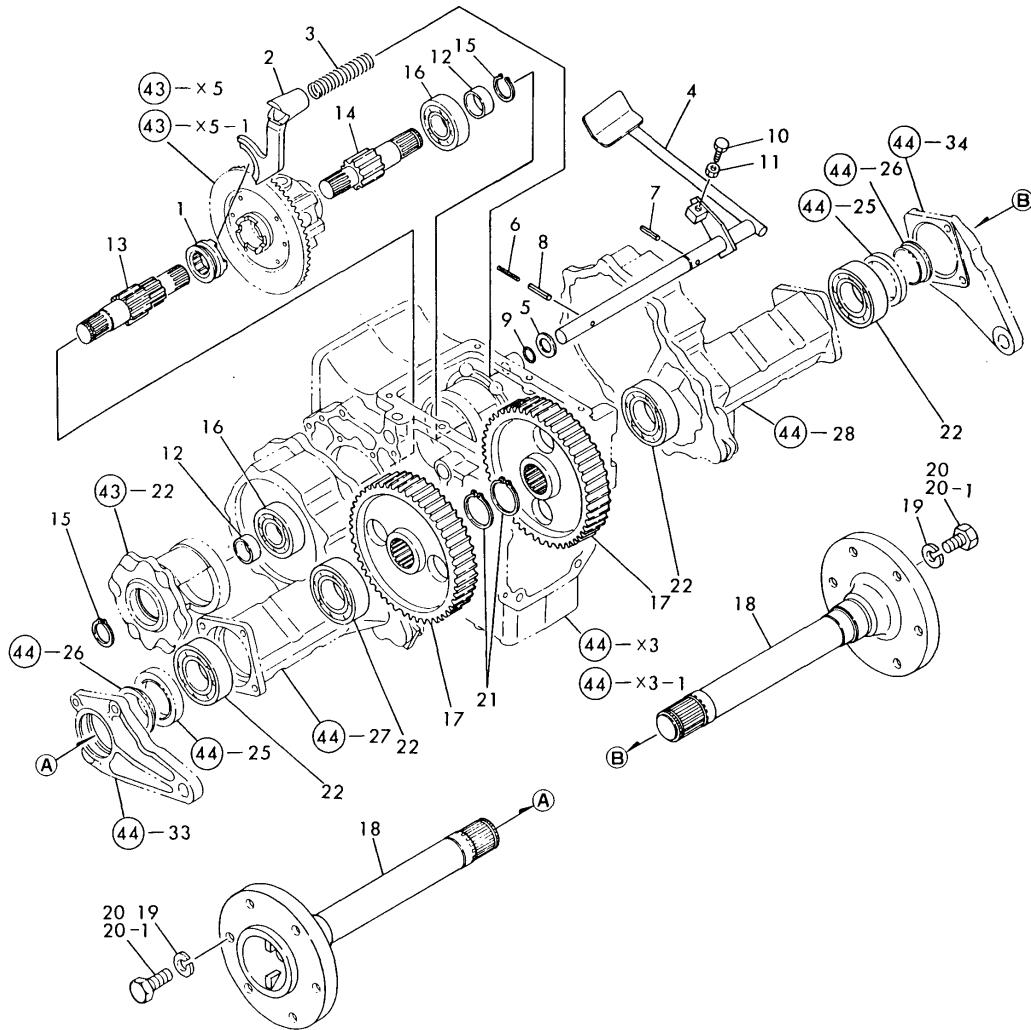
No.	Lev.	Parts No.	Description	Qty						I	R
				(A)	(B)	(C)	(D)	(E)	(F)		
45	1	26116-100352	BOLT, M10X 35 PLATED	8	8	8	8				
46	1	26216-100252	STUD, M10X 25	4	4	4	4				Z
				(A=T/# 21152) (B=T/# 40375) (C=T/# 20055) (D=T/# 40001)							
47	1	26216-100302	STUD, M10X 30	4	4	4	4				
47-1	1	26216-100302	STUD, M10X 30	8	8	8	8				K
				(A=T/# 21152) (B=T/# 40735) (C=T/# 20055) (D=T/# 40001)							
48	1	26716-100002	NUT, M10	4	4	4	4				
49	1	26716-160002	NUT, M16	2	2	2	2				

Fig.45. REAR AXLE SHAFT

(A)=YM220
(B)=YM220D
(C)=YM250

(D)=YM250D
(E)=
(F)=

Fig. 45 REAR AXLE SHAFT



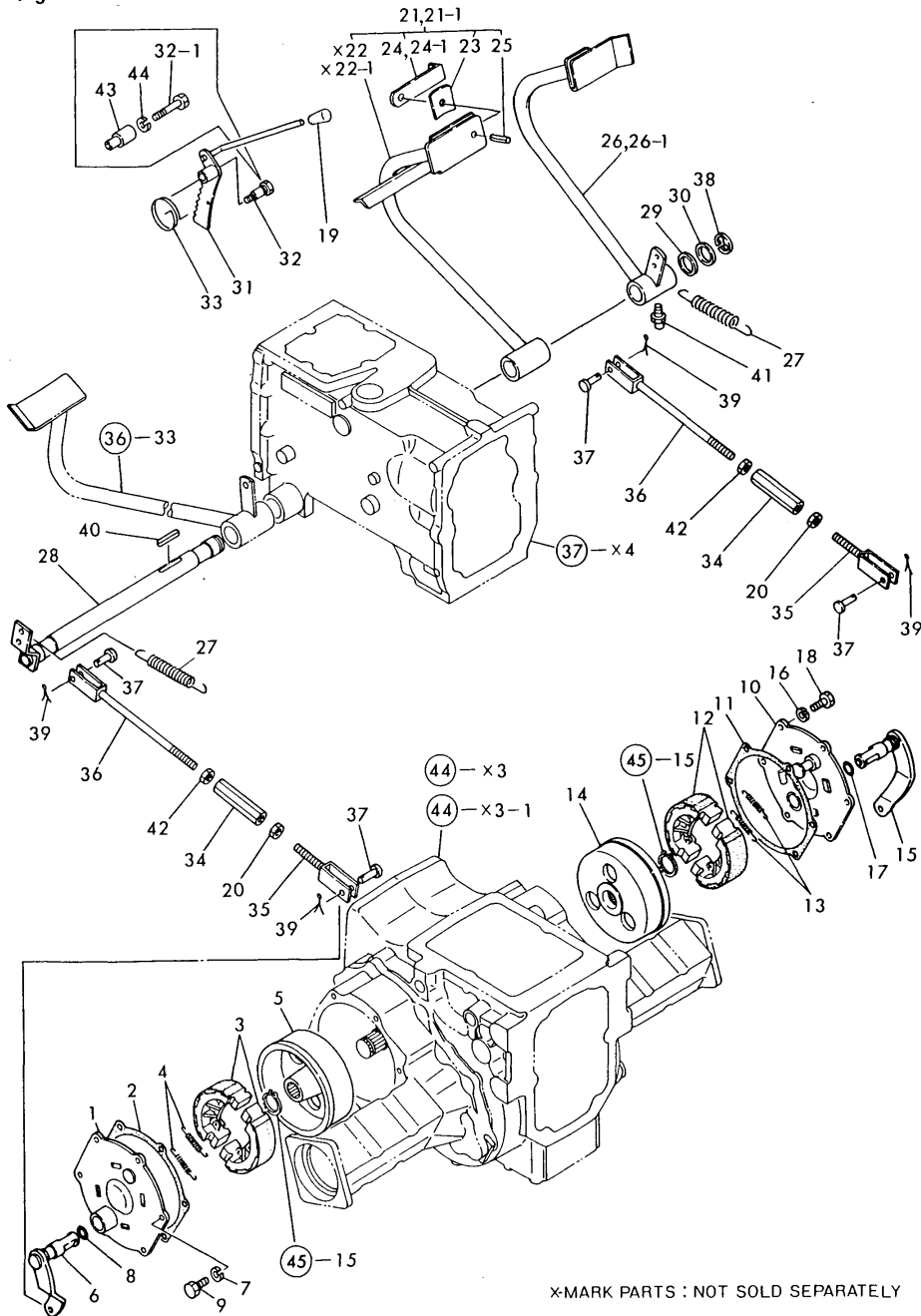
No.	Lev.	Parts No.	Description	Qty						I	R
				(A)	(B)	(C)	(D)	(E)	(F)		
1	1	194361-33100	SLIDER, DIFFERENTIAL	1	1	1	1				
2	1	194430-33140	FORK, SHIFT	1	1	1	1				
3	1	194150-33150	SPRING, RETURN	1	1	1	1				
4	1	194432-33160-X	PEDAL, DIFF. LOCK	1	1	1	1				
5	1	194300-33200	SPACER, 20X32X3.2	1	1	1	1				
6	1	22351-050040	PIN, SPRING 5.0X40	1	1	1	1				
7	1	22351-080032	PIN, SPRING 8.0X32	1	1	1	1				
8	1	22351-080040	PIN, SPRING 8.0X40	1	1	1	1				
9	1	24311-000160	O-RING, 1AP16.0	1	1	1	1				
10	1	26116-100352	BOLT, M10X 35 PLATED	1	1	1	1				
11	1	26756-100002	NUT, LOCK M10	1	1	1	1				
12	1	194420-26650	SLEEVE 30X35X13	2	2	2	2				
13	1	194430-33400	PINION, FINAL	1	1	1	1				
14	1	194430-33410	PINION, FINAL	1	1	1	1				
15	1	22242-000290	RING, 29	2	2	2	2				
16	1	24101-063064	BEARING, BALL 6306	2	2	2	2				
17	1	194430-33500	GEAR, FINAL	2	2	2	2				
18	1	194361-34100-X	SHAFT, REAR AXLE	2	2	2	2				
19	1	194280-34170	WASHER 16	12	12	12	12				
19-1	1	194065-34170	WASHER, 16	12	12	12	12				N
		(A=T/# 21206) (B=T/# 40770) (C=T/# 20055) (D=T/# 40001)									
20-1	1	194322-34180	BOLT M16X 30	12	12	12	12				
21	1	22242-000450	RING, 45	2	2	2	2				
22	1	24101-062094	BEARING, BALL 6209	4	4	4	4				

Fig.46. BRAKES

(A)=YM220
(B)=YM220D
(C)=YM250

(D)=YM250D
(E)=
(F)=

Fig. 46 BRAKES



X-MARK PARTS : NOT SOLD SEPARATELY

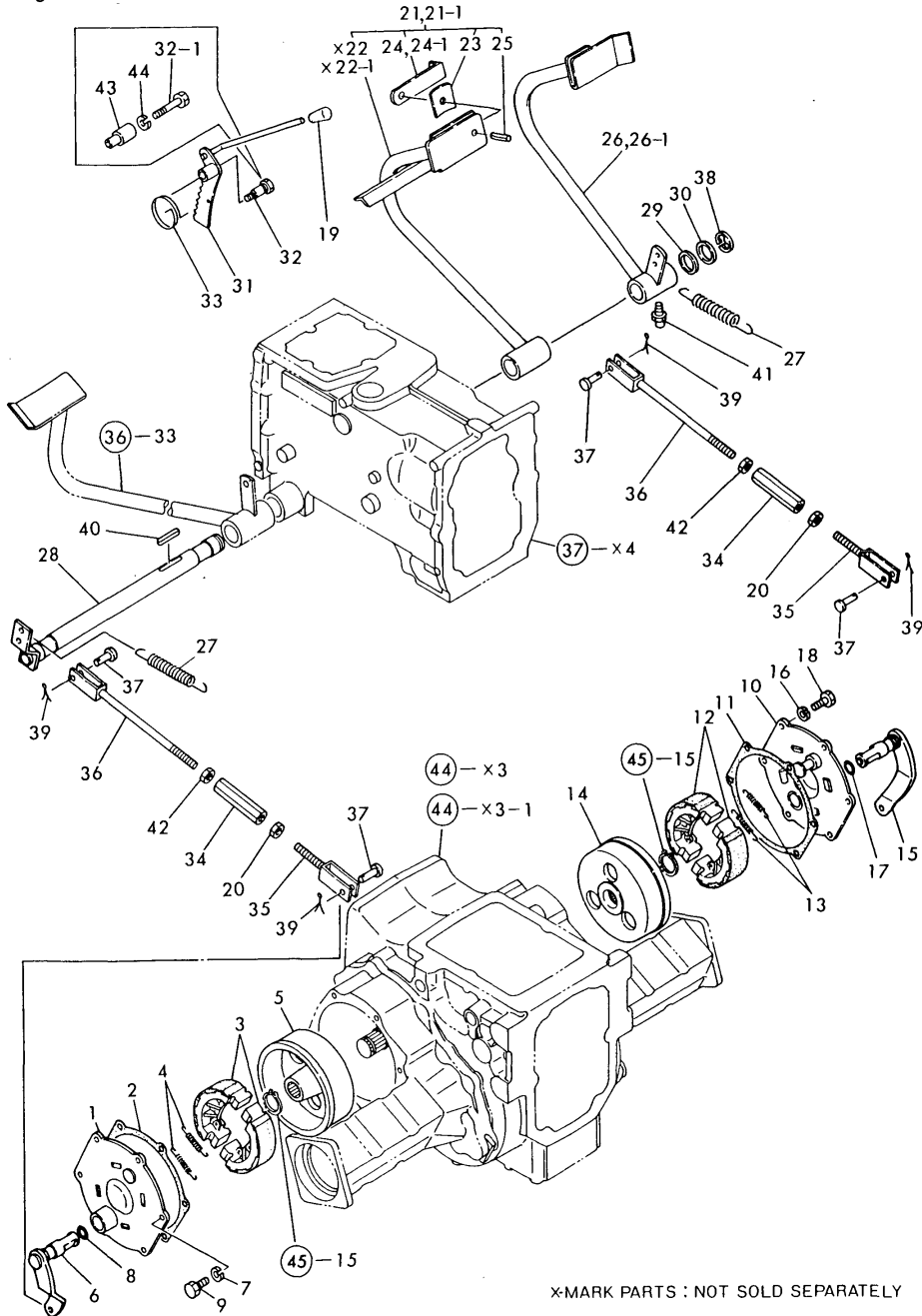
No.	Lev.	Parts No.	Description	Qty						I	R
				(A)	(B)	(C)	(D)	(E)	(F)		
1	1	194420-36300	COVER, BRAKE	1	1	1	1				
2	1	194420-36320	GASKET, BRAKE COVER	1	1	1	1				
3	1	194420-36510	SHOE, BRAKE	2	2	2	2				
4	1	194150-36550	SPRING, SHOE	2	2	2	2				
5	1	194420-36570	DRUM, BRAKE	1	1	1	1				
6	1	194312-36710	SHAFT, BRAKE CAM	1	1	1	1				
7	1	22217-080000	WASHER, SPRING 8	6	6	6	6				
8	1	24341-000200	O-RING, 1AS20.0	1	1	1	1				
9	1	26116-080252	BOLT, M8X 25 PLATED	6	6	6	6				
10	1	194420-36300	COVER, BRAKE	1	1	1	1				
11	1	194420-36320	GASKET, BRAKE COVER	1	1	1	1				
12	1	194420-36510	SHOE, BRAKE	2	2	2	2				
13	1	194150-36550	SPRING, SHOE	2	2	2	2				
14	1	194420-36570	DRUM, BRAKE	1	1	1	1				
15	1	194312-36720	SHAFT, BRAKE CAM	1	1	1	1				
16	1	22217-080000	WASHER, SPRING 8	6	6	6	6				
17	1	24341-000200	O-RING, 1AS20.0	1	1	1	1				
18	1	26116-080252	BOLT, M8X 25 PLATED	6	6	6	6				
19	1	194150-01190	KNOB, LEVER	1	1	1	1				
20	1	194150-22480	NUT, M10 L	2	2	2	2				
21	1	194361-37421-X	PEDAL, BRAKE	1	1						
21-1	1	194432-37421-X	PEDAL ASSY, BRAKE(L)	1	1	1	1				S
		(A=FROM 1ST) (B=FROM 1ST)									
23	2	194150-37530	SPACER	1	1	1	1				
24	2	194145-37540	CONNECTOR, PEDAL	1	1						
24-1	2	194432-37540-R	CONNECTOR	1	1	1	1				S
		(A=FROM 1ST) (B=FROM 1ST)									
25	2	22351-080018	PIN, SPRING 8.0X18	1	1	1	1				
26	1	194361-37471-X	PEDAL, BRAKE	1	1						
26-1	1	194432-37471-X	PEDAL ASSY, BRAKE(R)	1	1	1	1				S
		(A=FROM 1ST) (B=FROM 1ST)									
27	1	194420-37510	SPRING, RETURN	2	2	2	2				
28	1	194361-37550-X	SHAFT, BRAKE PEDAL	1	1	1	1				
29	1	194130-37560	WASHER	1	1	1	1				
30	1	194150-37570	WASHER, 25X38X1.2	1	1	1	1				
31	1	194170-37660-X	LEVER, BRAKE LOCK	1	1	1	1				
32	1	194420-37670	PIN, ROCK LEVER	1	1	1	1				Z
		(A=T/# 21413) (B=T/# 40898) (C=T/# 20055) (D=T/# 40021)									
32-1	1	26116-100802	BOLT, M10X 80 PLATED	1	1	1	1				W
		(A=T/# 21413) (B=T/# 40898) (C=T/# 20055) (D=T/# 40021)									
33	1	194110-37691	SPRING	1	1	1	1				
34	1	194151-37730	TURNBUCKLE M10X90	2	2	2	2				
35	1	194130-37740	ROD, BRAKE L	2	2	2	2				
36	1	194420-37770	ROD, BRAKE R	2	2	2	2				
37	1	194080-37781	PIN, 8X25	4	4	4	4				
38	1	22272-000190	RING, E-19	1	1	1	1				
39	1	22417-200300	PIN, COTTER 2.0X30	4	4	4	4				
40	1	22512-070400	KEY, 7X 40	1	1	1	1				
41	1	24761-010000	NIPPLE, GREASE M6F	1	1	1	1				
42	1	26716-100002	NUT, M10	2	2	2	2				
43	1	194432-37670	COLLAR	1	1	1	1				W

Fig.46. BRAKES

(A)=YM220
(B)=YM220D
(C)=YM250

(D)=YM250D
(E)=
(F)=

Fig. 46 BRAKES



x-MARK PARTS : NOT SOLD SEPARATELY

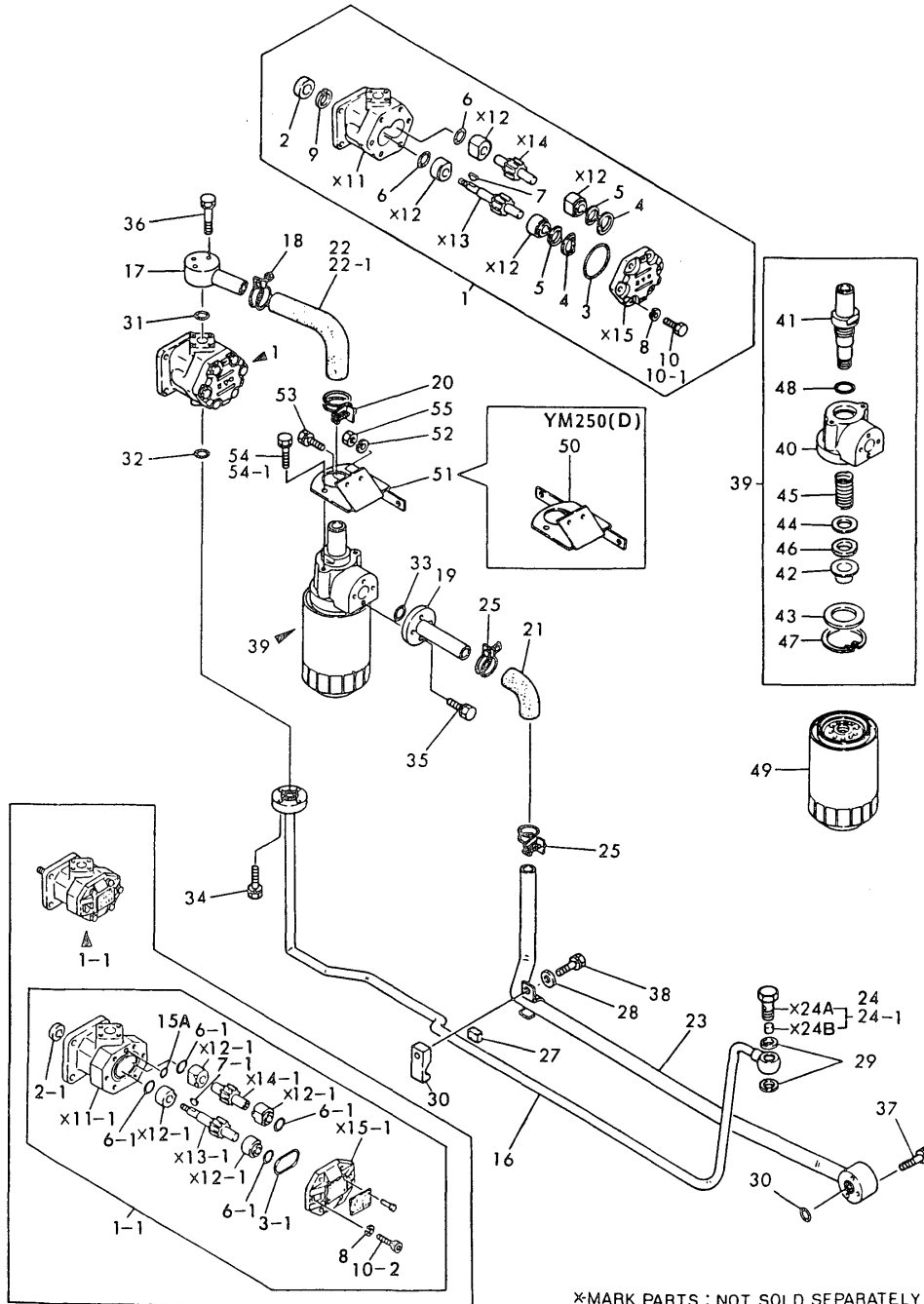
No.	Lev.	Parts No.	Description	Qty						I	R
				(A)	(B)	(C)	(D)	(E)	(F)		
44	1	22217-100000	WASHER, SPRING 10	1	1	1	1			W	
		(A=T/# 21413)	(B=T/# 40898)	(C=T/# 20055)	(D=T/# 40021)						
		(A=T/# 21413)	(B=T/# 40898)	(C=T/# 20055)	(D=T/# 40021)						

Fig.47. HYDRAULIC PIPES

(A)=YM220
(B)=YM220D
(C)=YM250

(D)=YM250D
(E)=
(F)=

Fig. 47 HYDRAULIC PIPES



*MARK PARTS : NOT SOLD SEPARATELY

No.	Lev.	Parts No.	Description	Q'ty						I	R
				(A)	(B)	(C)	(D)	(E)	(F)		
1	1	194432-41120	PUMP ASSY, HYDRAULIC	1	1	1	1				
1-1	1	194361-41120	PUMP ASSY, HYDRAULIC	1	1	1	1				N
		(A=T/# 21413) (B=T/# 40898) (C=T/# 20055) (D=T/# 40021)									
2	2	194432-41150	SEAL, OIL	1	1	1	1				
2-1	2	24421-142507	SEAL, OIL TC142507	1	1	1	1				N
		(A=T/# 21413) (B=T/# 40898) (C=T/# 20055) (D=T/# 40021)									
3	2	194200-41170	O-RING	1	1	1	1				
3-1	2	24341-000480	O-RING, 1AS48.0	1	1	1	1				N
		(A=T/# 21413) (B=T/# 40898) (C=T/# 20055) (D=T/# 40021)									
4	2	194200-41180	SEAL RING	2	2	2	2				Z
		(A=T/# 21413) (B=T/# 40898) (C=T/# 20055) (D=T/# 40021)									
5	2	194200-41190	RING, SUPPORT	2	2	2	2				Z
		(A=T/# 21413) (B=T/# 40898) (C=T/# 20055) (D=T/# 40021)									
6	2	194200-41200	O-RING	2	2	2	2				
6-1	2	24315-000200	O-RING, 1BP20.0	4	4	4	4				N
		(A=T/# 21413) (B=T/# 40898) (C=T/# 20055) (D=T/# 40021)									
7	2	194432-41210	KEY, WOODRUFF	1	1	1	1				
7-1	2	22522-030130	KEY, WOODRUFF 3X13	1	1	1	1				N
		(A=T/# 21413) (B=T/# 40898) (C=T/# 20055) (D=T/# 40021)									
8	2	22217-080000	WASHER, SPRING 8	6	6	6	6				
9	2	22252-000280	RING, 28	1	1	1	1				Z
		(A=T/# 21413) (B=T/# 40898) (C=T/# 20055) (D=T/# 40021)									
10	2	26126-080252	BOLT M 8X 25 PLATED	6	6						
10-1	2	26116-080252	BOLT, M8X 25 PLATED	6	6	6	6				N
		(A=*) (B=*)									
10-2	2	26450-080252	BOLT, M8X 25	6	6	6	6				N
		(A=T/# 21413) (B=T/# 40898) (C=T/# 20055) (D=T/# 40021)									
15A	2	24341-000100	O-RING, 1AS10.0	1	1	1	1				W
		(A=T/# 21413) (B=T/# 40898) (C=T/# 20055) (D=T/# 40021)									
16	1	194432-48110-X	PIPE, HIGH-PRESSURE	1	1	1	1				
17	1	194440-48210	PIPE, LOW PRESSURE	1	1	1	1				
18	1	194464-48210	CLAMP 32	1	1	1	1				
19	1	194432-48220-X	PIPE, LOW PRESSURE	1	1	1	1				
20	1	194464-48220	CLAMP 37	1	1	1	1				
21	1	194440-48230	HOSE, LOW PRESURE	1	1	1	1				
22	1	194432-48250-X	RUBBER PIPE	1	1						
22-1	1	194446-48230-X	HOSE, PRESSURE A	1	1	1	1				N
		(A=T/# 20581) (B=T/# 40368)									
23	1	194432-48240-X	PIPE, LOW PRESSURE	1	1	1	1				
24	1	194130-48650	BOLT, JOINT M12	1	1	1	1				
24-1	1	198220-48750	BOLT ASSY, JOINT	1	1	1	1				N
		(A=T/# 21424) (B=T/# 40904) (C=T/# 20116) (D=T/# 40027)									
25	1	194151-48710	CLAMP	2	2	2	2				
26	1	194440-48830	BASE, PIPE CLAMP	1	1	1	1				
27	1	194440-48840	RUBBER	1	1	1	1				
28	1	22137-080000	WASHER, 8	1	1	1	1				
29	1	23414-180023	GASKET, 18X1.0	2	2	2	2				
30	1	24311-000200	O-RING, 1AP20.0	1	1	1	1				
31	1	24311-000200	O-RING, 1AP20.0	1	1	1	1				
32	1	24311-000200	O-RING, 1AP20.0	1	1	1	1				
33	1	24311-000220	O-RING, 1AP22.0	1	1	1	1				

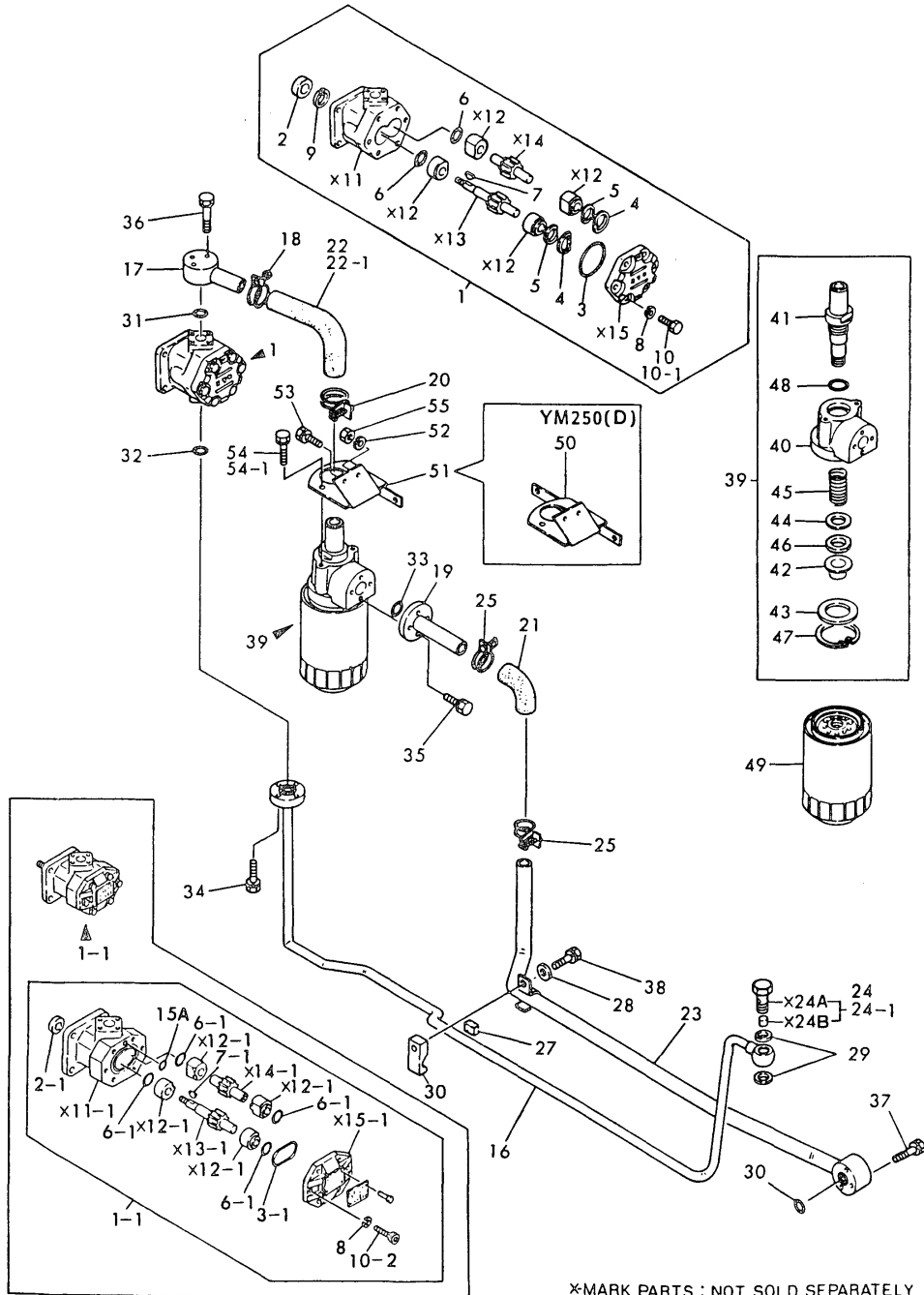
N:Old $\frac{Yes}{No}$ New, Q:Old $\frac{No}{Yes}$ New, R:Old $\frac{Yes}{No}$ New, S:Old $\frac{No}{Yes}$ New, W:Add, Z:Discontinued, F:Interchangeable by set, K:Q'ty Change
 ++ CONTINUE ++
 Copyright (C) YANMAR CO., LTD. All Rights Reserved.

Fig.47. HYDRAULIC PIPES

(A)=YM220
(B)=YM220D
(C)=YM250

(D)=YM250D
(E)=
(F)=

Fig. 47 HYDRAULIC PIPES



*MARK PARTS : NOT SOLD SEPARATELY

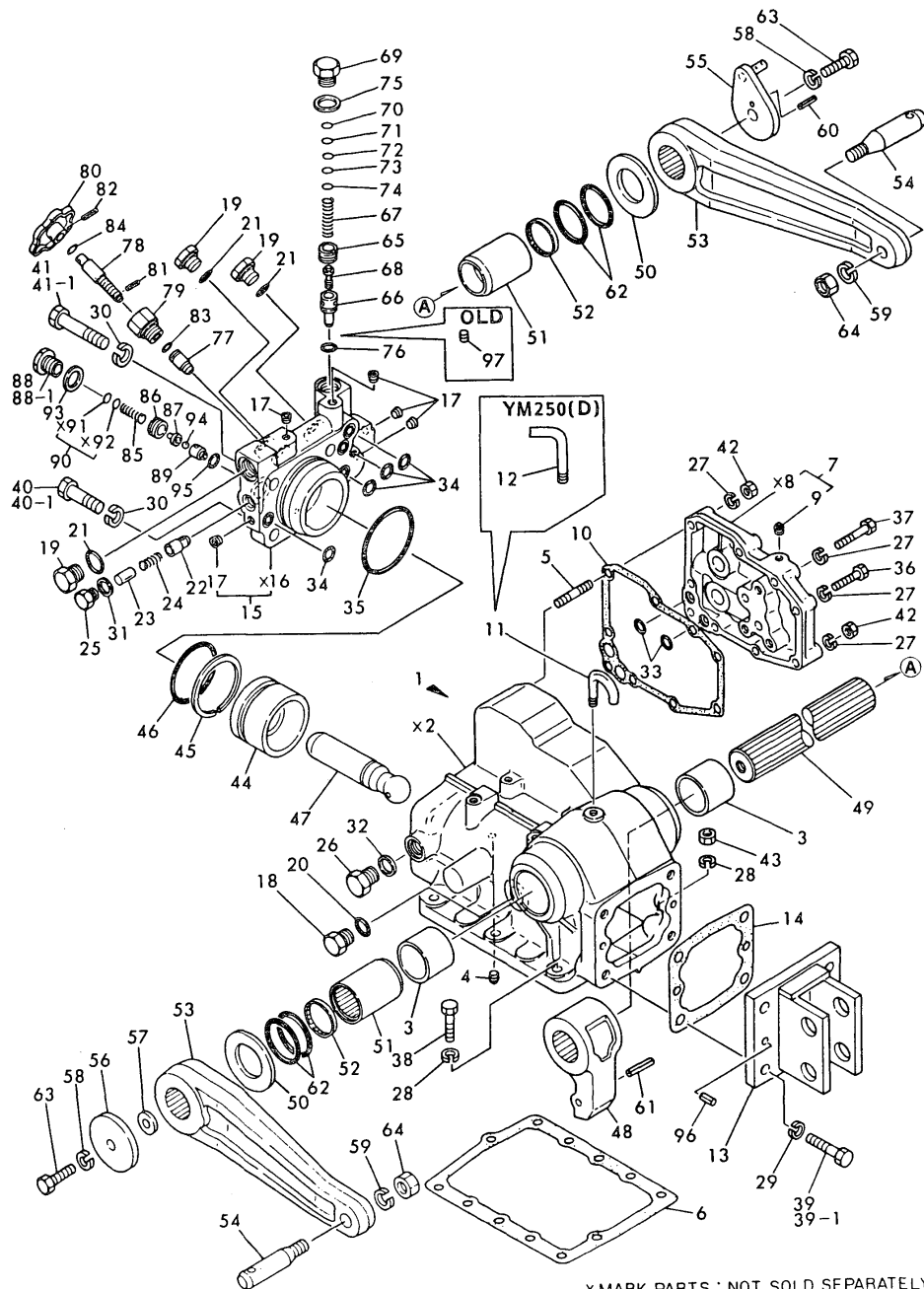
No.	Lev.	Parts No.	Description	Qty						I	R
				(A)	(B)	(C)	(D)	(E)	(F)		
34	1	26013-060252	BOLT, M6X 25	4	4	4	4				
35	1	26013-060252	BOLT, M6X 25	4	4	4	4				
36	1	26013-060402	BOLT, M6X 40	3	3	3	3				
37	1	26013-060402	BOLT, M6X 40	3	3	3	3				
38	1	26013-080352	BOLT, M8X 35	1	1	1	1				
39	1	194464-48300	COVER ASSY, FILTER	1	1	1	1				
40	2	194464-48322	COVER, FILTER	1	1	1	1				
41	2	194464-48331	BOLT, FILTER	1	1	1	1				
42	2	194464-48341	COLLAR, SEAL	1	1	1	1				
43	2	194464-48351	SPACER 56	1	1	1	1				
44	2	194464-48361	WASHER 21.5X35X1.6	1	1	1	1				
45	2	194464-48370	SPRING, FILTER	1	1	1	1				
46	2	194464-48390	GASKET	1	1	1	1				
47	2	22252-000600	RING, 60	1	1	1	1				
48	2	24311-000280	O-RING, 1AP28.0	1	1	1	1				
49	1	194464-48310	FILTER, HYDRAULIC	1	1	1	1				
50	1	194247-48380	BRACKET, STRAINER			1	1				
51	1	194432-48380-X	BRACKET, STRAINER	1	1						
52	1	22217-080000	WASHER, SPRING 8	1	1	1	1				
53	1	26013-080162	BOLT, M8X 16	1	1	1	1				
54	1	26013-080222	BOLT, M8X 22	2	2						
54-1	1	26013-080202	BOLT, M8X 20	2	2	2	2				N
(A=T/# 20581) (B=T/# 40368)											
55	1	26716-080002	NUT, M8	1	1	1	1				

Fig.48. HYDRAULIC CYLINDER & LIFT

(A)=YM220
(B)=YM220D
(C)=YM250

(D)=YM250D
(E)=
(F)=

Fig. 48 HYDRAULIC CYLINDER & LIFT



*-MARK PARTS : NOT SOLD SEPARATELY

No.	Lev.	Parts No.	Description	Q'ty						I	R
				(A)	(B)	(C)	(D)	(E)	(F)		
1	1	194432-42100-X	HOUSING, HYDRAULIC	1	1	1	1				
3	2	194150-42130	BUSH, 50X55X40	2	2	2	2				
4	2	23873-010000	PLUG, R01	1	1	1	1				
4-1	2	23871-010000	PLUG, R01	1	1	1	1			N	
		(A=E)XXX (B=E)XXX (C=E)XXX (D=E)XXX									
5	2	26216-080452	STUD, M8X 45	4	4	4	4				
6	1	194312-42150	GASKET, HOUSING	1	1	1	1				
7	1	194170-42200-X	CASE, CYLINDER	1	1	1	1				
9	2	23873-010000	PLUG, R01	4	4	4	4				
9-1	2	23871-010000	PLUG, R01	4	4	4	4			N	
		(A=E)XXX (B=E)XXX (C=E)XXX (D=E)XXX									
10	1	194170-42220	GASKET, SIDE CASE	1	1	1	1				
11	1	194150-42280	BREATHER, AIR	1	1						
12	1	194205-42280	PIPE, AIR BREATHER			1	1				
13	1	194281-42810-X	HINGE, TOP LINK	1	1	1	1				
14	1	194151-42831	GASKET, HINGE	1	1	1	1				
15	1	194363-43200-X	HEAD ASSY, CYLINDER	1	1	1	1				
17	2	23873-010000	PLUG, R01	5	5	5	5				
17-1	2	23871-010000	PLUG, R01	5	5	5	5			N	
		(A=E)XXX (B=E)XXX (C=E)XXX (D=E)XXX									
18	1	194464-45920	PLUG, 3/4-16UNF	1	1	1	1				
19	1	194464-45920	PLUG, 3/4-16UNF	3	3	3	3				
20	1	194464-45930	O-RING, 8-1	1	1	1	1				
21	1	194464-45930	O-RING, 8-1	3	3	3	3				
22	1	194310-46350	POPPET, CHECK	1	1	1	1				
23	1	194550-46360	SPACER	1	1	1	1				
24	1	194310-46380	SPRING	1	1	1	1				
25	1	194310-46730	PLUG, 14	1	1	1	1				
26	1	194130-46750	PLUG M18	1	1	1	1				
27	1	22217-080000	WASHER, SPRING 8	9	9	9	9				
28	1	22217-100000	WASHER, SPRING 10	6	6	6	6				
29	1	22217-140000	WASHER, SPRING 14	4	4	4	4				
30	1	22217-140000	WASHER, SPRING 14	4	4	4	4				
31	1	23414-140018	GASKET, 14X1.0	1	1	1	1				
32	1	23414-180023	GASKET, 18X1.0	1	1	1	1				
33	1	24315-000110	O-RING, 1BP11.0	2	2	2	2				
34	1	24315-000140	O-RING, 1BP14.0	4	4	4	4				
35	1	24325-000750	O-RING, 1BG75.0	1	1	1	1				
36	1	26116-080352	BOLT, M8X 35 PLATED	1	1	1	1				
37	1	26116-080452	BOLT, M8X 45 PLATED	4	4	4	4				
38	1	26116-100352	BOLT, M10X 35 PLATED	3	3	3	3				
39	1	26126-140352	BOLT M14X 35 PLATED	4	4						
39-1	1	26116-140352	BOLT, M14X 35 PLATED	4	4	4	4			N	
		(A=T/# 20662) (B=T/# 40424)									
40	1	26126-140452	BOLT M14X 45 PLATED	2	2						
40-1	1	26116-140452	BOLT, M14X 45 PLATED	2	2	2	2			N	
		(A=*) (B=*)									
41	1	26126-140652	BOLT M14X 65 PLATED	2	2						
41-1	1	26116-140652	BOLT, M14X 65 PLATED	2	2	2	2			N	
		(A=*) (B=*)									
42	1	26716-080002	NUT, M8	4	4	4	4				

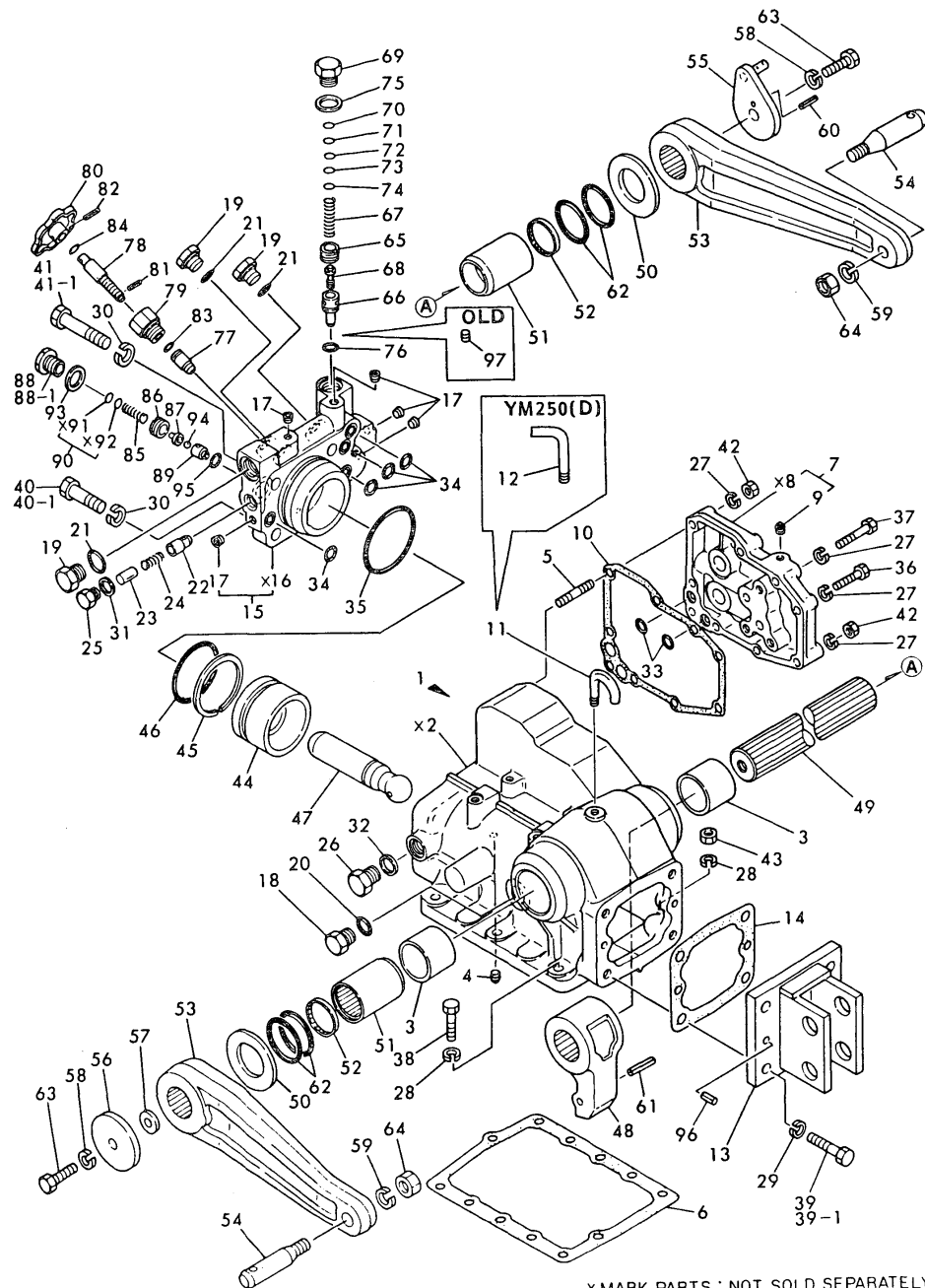
N:Old $\frac{Yes}{No}$ New, Q:Old $\frac{No}{Yes}$ New, R:Old $\frac{Yes}{No}$ New, S:Old $\frac{No}{Yes}$ New, W:Add, Z:Discontinued, F:Interchangeable by set, K:Q'ty Change
++ CONTINUE ++
Copyright (C) YANMAR CO., LTD. All Rights Reserved.

Fig.48. HYDRAULIC CYLINDER & LIFT

(A)=YM220
(B)=YM220D
(C)=YM250

(D)=YM250D
(E)=
(F)=

Fig. 48 HYDRAULIC CYLINDER & LIFT



No.	Lev.	Parts No.	Description	Q'ty						I	R
				(A)	(B)	(C)	(D)	(E)	(F)		
43	1	26716-100002	NUT, M10	3	3	3	3				
44	1	194310-43310	PISTON, HYDRAULIC	1	1	1	1				
45	1	194130-43350	RING, BACK UP P65	1	1	1	1				
46	1	24311-000650	O-RING, 1AP65.0	1	1	1	1				
47	1	194310-43410	ROD, PISTON	1	1	1	1				
48	1	194151-44111	CRANK, LIFT	1	1	1	1				
49	1	194150-44211	SHAFT, LIFT	1	1	1	1				
50	1	194282-44230	WASHER, 40X73X3.2	2	2	2	2				
51	1	194282-44250	SLEEVE, LIFT SHAFT	2	2	2	2				
52	1	194150-44261	SEAL, SPLINE SHAFT	2	2	2	2				
53	1	194310-44420	ARM, LIFT	2	2	2	2				
53-1	1	194361-44420	ARM, LIFT	2	2	2	2				N
(A=T/# 21341) (B=T/# 40821) (C=T/# 20055) (D=T/# 40001)											
54	1	194130-44480	PIN, LIFT ARM	2	2	2	2				
55	1	194432-44510	ARM, FEED BACK	1	1	1	1				
56	1	194282-44530-X	WASHER 12.5X60X10	1	1	1	1				
57	1	22137-160000	WASHER, 16	1	1	1	1				
58	1	22217-120000	WASHER, SPRING 12	2	2	2	2				
59	1	22217-160000	WASHER, SPRING 16	2	2	2	2				
60	1	22351-040022	PIN, SPRING 4.0X22	1	1	1	1				
61	1	22351-050056	PIN, SPRING 5.0X56	1	1	1	1				
62	1	24321-000500	O-RING, 1AG50.0	4	4	4	4				
63	1	26116-120322	BOLT, M12X 32 PLATED	2	2	2	2				
64	1	26736-160002	NUT, M16	2	2	2	2				
65	1	194275-45340	SCREW, VALVE SEAT	1	1	1	1				
66	1	194170-45600	SEAT, RELIEF VALVE	1	1	1	1				
67	1	194170-45610	SPRING, RELIEF VALVE	1	1	1	1				
68	1	194170-45620	HOLDER, VALVE	1	1	1	1				
69	1	194170-45630	PLUG	1	1	1	1				
70	1	194170-45700	SHIM, T=0.1	1	1	1	1				
71	1	194170-45710	SHIM, T=0.2	1	1	1	1				
72	1	194170-45720	SHIM, T=0.3	1	1	1	1				
73	1	194170-45730	SHIM, T=0.5	1	1	1	1				
74	1	194170-45740	SHIM, T=1.0	1	1	1	1				
75	1	23414-200026	GASKET, 20X1.0	1	1	1	1				
76	1	24311-000120	O-RING, 1AP12.0	1	1	1	1				
77	1	194550-46300	VALVE, STOP	1	1	1	1				
78	1	194363-46620	BOLT, STOP	1	1	1	1				
79	1	194312-46630	HOLDER, VALVE	1	1	1	1				
80	1	194151-46640	KNOB	1	1	1	1				
81	1	22351-040012	PIN, SPRING 4.0X12	1	1	1	1				
82	1	22351-040022	PIN, SPRING 4.0X22	1	1	1	1				
83	1	24311-000090	O-RING, 1AP9.0	1	1	1	1				
84	1	24311-000120	O-RING, 1AP12.0	1	1	1	1				
85	1	194150-45320	SPRING, RELIEF VALVE	1	1	1	1				
86	1	194150-45340	SCREW, VALVE	1	1	1	1				
87	1	194150-45361	HOLDER, VALVE	1	1	1	1				
88	1	194145-45370	PLUG, RELIEF VALVE	1	1						
88-1	1	194151-45370	PLUG, RELIEF VALVE	1	1	1	1				N
(A=*) (B=*)											
89	1	194151-46261	SEAT, RELIEF VALVE	1	1	1	1				

x-MARK PARTS : NOT SOLD SEPARATELY

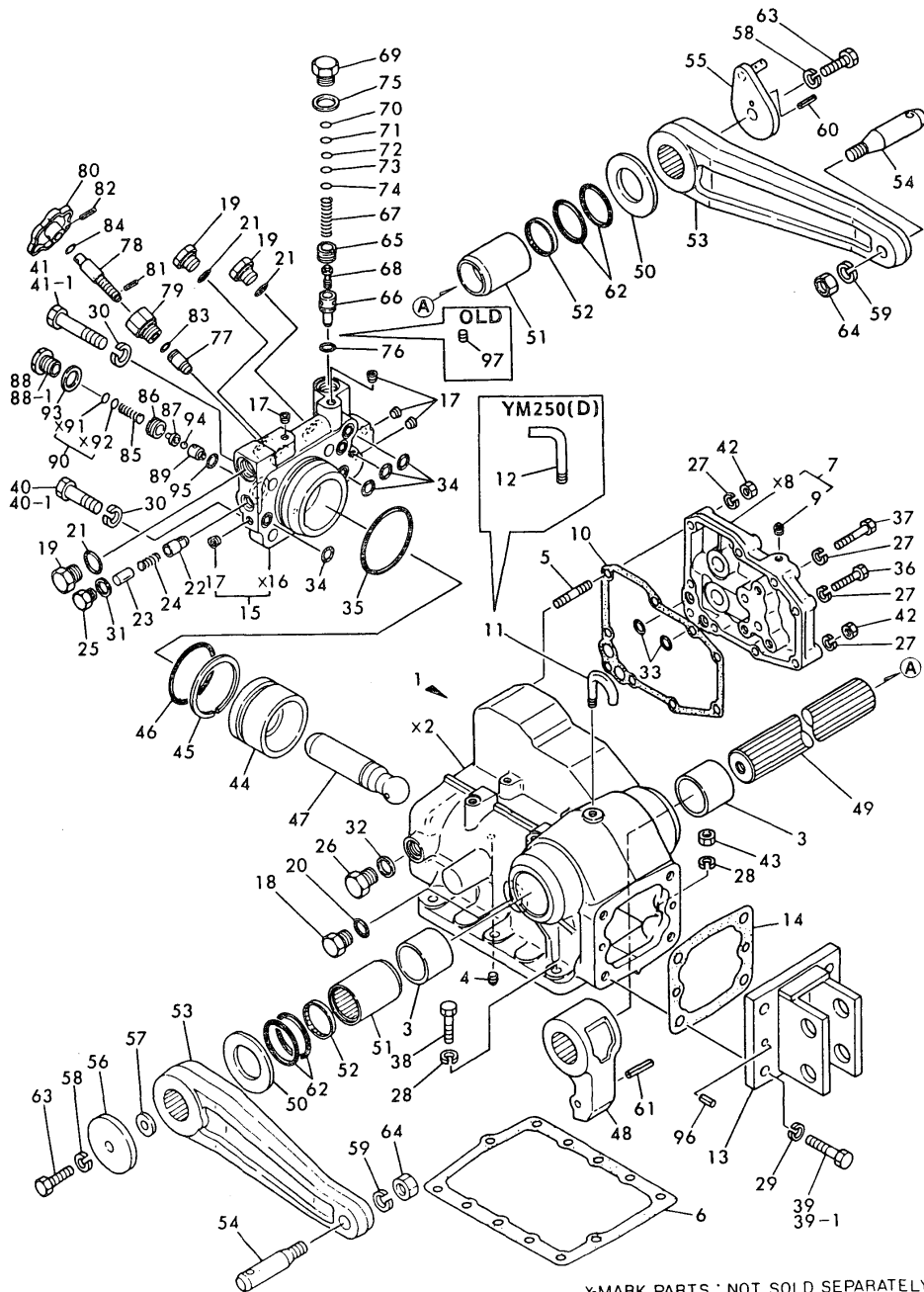
N:Old $\frac{Yes}{No}$ New, Q:Old $\frac{No}{Yes}$ New, R:Old $\frac{Yes}{Yes}$ New, S:Old $\frac{No}{No}$ New, W:Add, Z:Discontinued, F:Interchangeable by set, K:Q'ty Change
 ++ CONTINUE ++
 Copyright (C) YANMAR CO., LTD. All Rights Reserved.

Fig.48. HYDRAULIC CYLINDER & LIFT

(A)=YM220
(B)=YM220D
(C)=YM250

(D)=YM250D
(E)=
(F)=

Fig. 48 HYDRAULIC CYLINDER & LIFT



No.	Lev.	Parts No.	Description	Q'ty						I	R
				(A)	(B)	(C)	(D)	(E)	(F)		
90	1	110250-53150	PLATE ASSY, ADJUST	1	1	1	1				
93	1	23414-200026	GASKET, 20X1.0	1	1	1	1				
94	1	24190-080003	BALL, STEEL 1/4	1	1	1	1				
95	1	24311-000120	O-RING, 1AP12.0	1	1	1	1				
96	1	22351-100020	PIN, SPRING 10.0X20	2	2	2	2				Z
		(A=EXXX) (B=EXXX) (C=EXXX) (D=EXXX)									
97	1	1E6191-54330	SCREW 7X8	1	1						Z
		(A=*) (B=*)									

x-MARK PARTS : NOT SOLD SEPARATELY

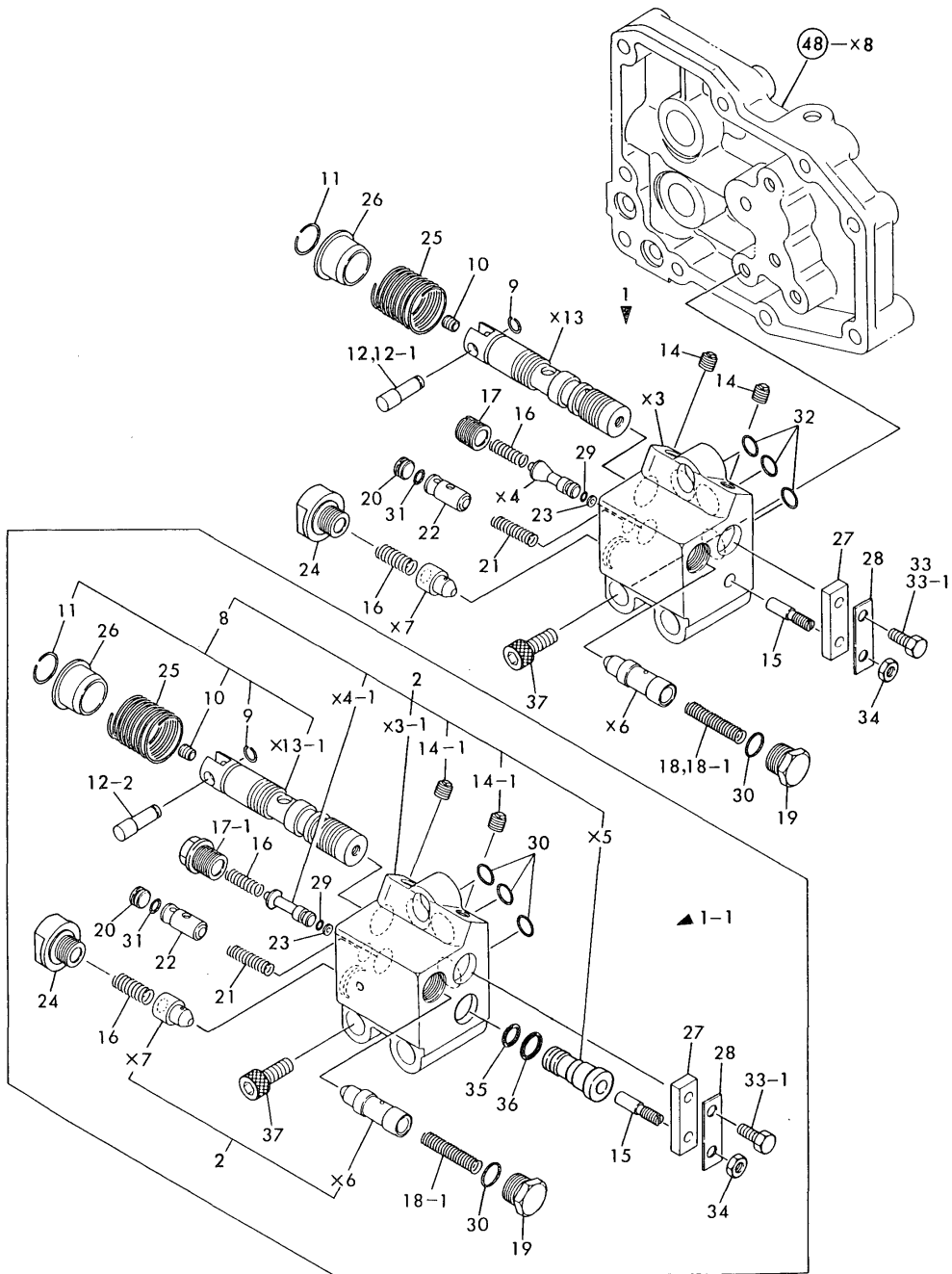
N:Old $\xrightarrow{\text{Yes}}$ New, Q:Old $\xrightarrow{\text{No}}$ New, R:Old $\xrightarrow{\text{Yes}}$ New, S:Old $\xrightarrow{\text{No}}$ New, W:Add, Z:Discontinued, F:Interchangeable by set, K:Q'ty Change
Copyright (C) YANMAR CO., LTD. All Rights Reserved.

Fig.49. HYDRAULIC CONTROL VALVE

(A)=YM220
(B)=YM220D
(C)=YM250

(D)=YM250D
(E)=
(F)=

Fig. 49 HYDRAULIC CONTROL VALVE



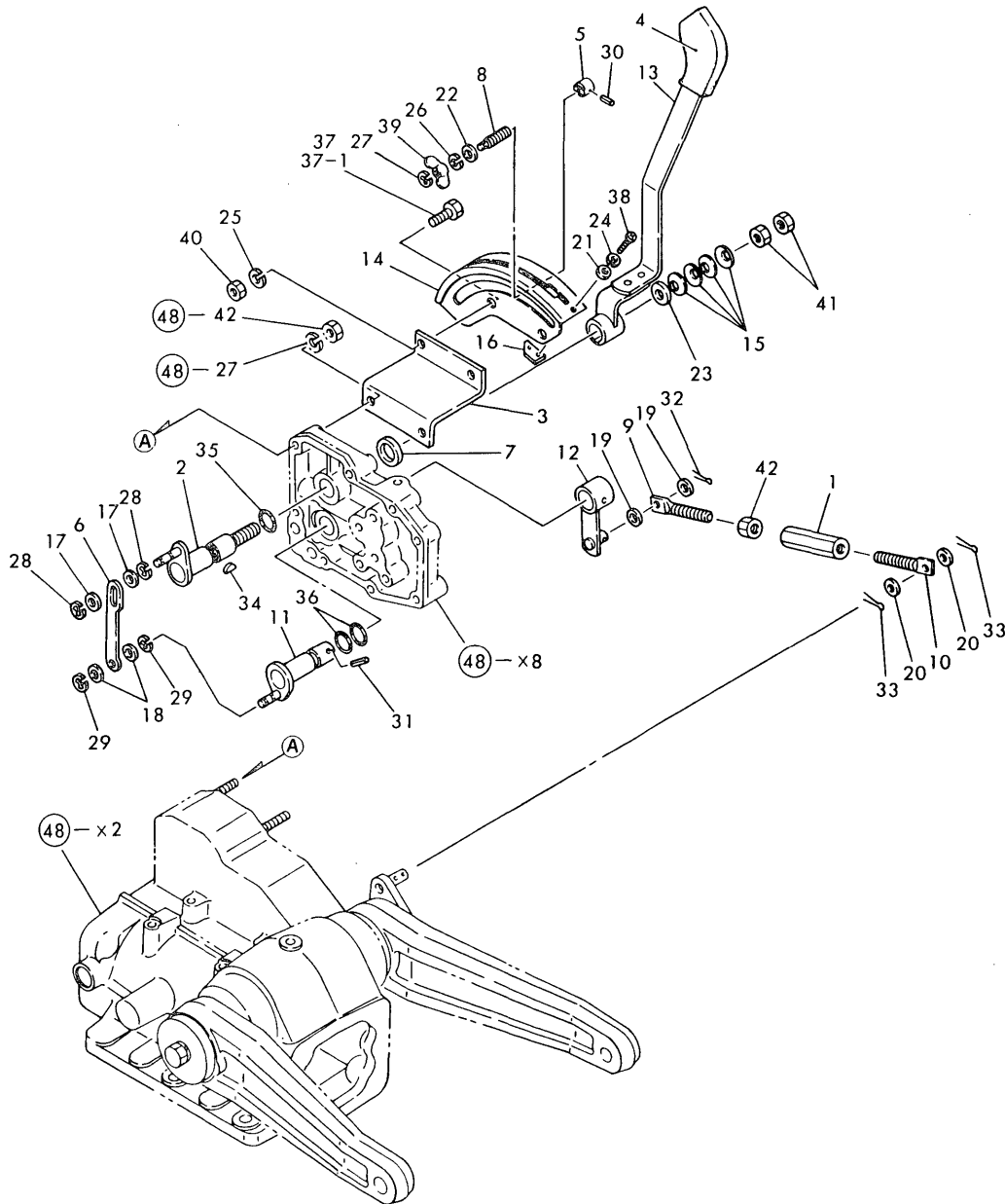
No.	Lev.	Parts No.	Description	Qty						I	R
				(A)	(B)	(C)	(D)	(E)	(F)		
1	1	194170-45100-X	VALVE ASSY, CONTROL	1	1	1	1				
1-1	1	194170-45101-X	VALVE ASSY, CONTROL	1	1	1	1				N
		(A=T/# 21375) (B=T/# 40876) (C=T/# 20055) (D=T/# 40021)									
2	2	194170-45120	BODY ASSY, VALVE	1	1	1	1				W
		(A=T/# 21375) (B=T/# 40876) (C=T/# 20055) (D=T/# 40021)									
8	3	194170-45500	SPOOL ASSY	1	1	1	1				W
		(A=T/# 21375) (B=T/# 40876) (C=T/# 20055) (D=T/# 40021)									
9	4	177088-06160	CIRCLIP	1	1	1	1				Z
		(A=T/# 21424) (B=T/# 40912) (C=T/# 20116) (D=T/# 40027)									
10	4	194170-45410	PLUG	1	1	1	1				Z
		(A=T/# 21424) (B=T/# 40912) (C=T/# 20116) (D=T/# 40027)									
11	4	194170-45570	CIRCLIP	1	1	1	1				Z
		(A=T/# 21424) (B=T/# 40912) (C=T/# 20116) (D=T/# 40027)									
14	3	23873-010000	PLUG, R01	2	2	2	2				
14-1	3	23871-010000	PLUG, R01	2	2	2	2				N
		(A=T/# 21375) (B=T/# 40876) (C=T/# 20055) (D=T/# 40021)									
15	2	194170-45220	BAR, PUSH	1	1	1	1				
16	2	194170-45230	SPRING	2	2	2	2				
17	2	194170-45250	HOLDER, M.CHECK	1	1	1	1				
17-1	2	198421-45440	HOLDER	1	1	1	1				S
		(A=T/# 21375) (B=T/# 40876) (C=T/# 20055) (D=T/# 40021)									
18	2	194170-45320	SPRING	1	1						
18-1	2	194170-45321	SPRING	1	1	1	1				N
		(A=T/# 20795) (B=T/# 40499)									
19	2	194170-45330	PLUG	1	1	1	1				
20	2	194170-45350	SPOOL	1	1	1	1				
21	2	194170-45360	SPRING	1	1	1	1				
22	2	194170-45370	PLUG	1	1	1	1				
23	2	194170-45430	RING, BACK UP	1	1	1	1				
24	2	194170-45440	PLUG	1	1	1	1				
25	2	194170-45520	SPRING, SPOOL	1	1	1	1				
26	2	194170-45530	STOPPER, SPOOL	1	1	1	1				
27	2	194170-45550	BAR, SPOOL	1	1	1	1				
28	2	194170-45560	WASHER, 12X40X0.6	1	1	1	1				
29	2	24311-000050	O-RING, 1AP5.0	1	1	1	1				
30	2	24311-000120	O-RING, 1AP12.0	2	2	2	2				
31	2	24315-000070	O-RING, 1BP7.0	1	1	1	1				
32	2	24315-000110	O-RING, 1BP11.0	3	3	3	3				
33	2	26116-060142	BOLT, M6X 14 PLATED	1	1						
33-1	2	26116-060162	BOLT, M6X 16 PLATED	1	1	1	1				N
		(A=T/# 20581) (B=T/# 40368)									
34	2	26756-060002	NUT, LOCK M6	1	1	1	1				
35	2	24311-000100	O-RING, 1AP10.0	1	1	1	1				W
		(A=T/# 21375) (B=T/# 40876) (C=T/# 20055) (D=T/# 40021)									
36	2	24311-000140	O-RING, 1AP14.0	1	1	1	1				W
		(A=T/# 21375) (B=T/# 40876) (C=T/# 20055) (D=T/# 40021)									
37	1	26450-080202	BOLT, M8X 20	3	3	3	3				

Fig.50. OIL PRESSURE CONTROL

(A)=YM220
(B)=YM220D
(C)=YM250

(D)=YM250D
(E)=
(F)=

Fig. 50 OIL PRESSURE CONTROL

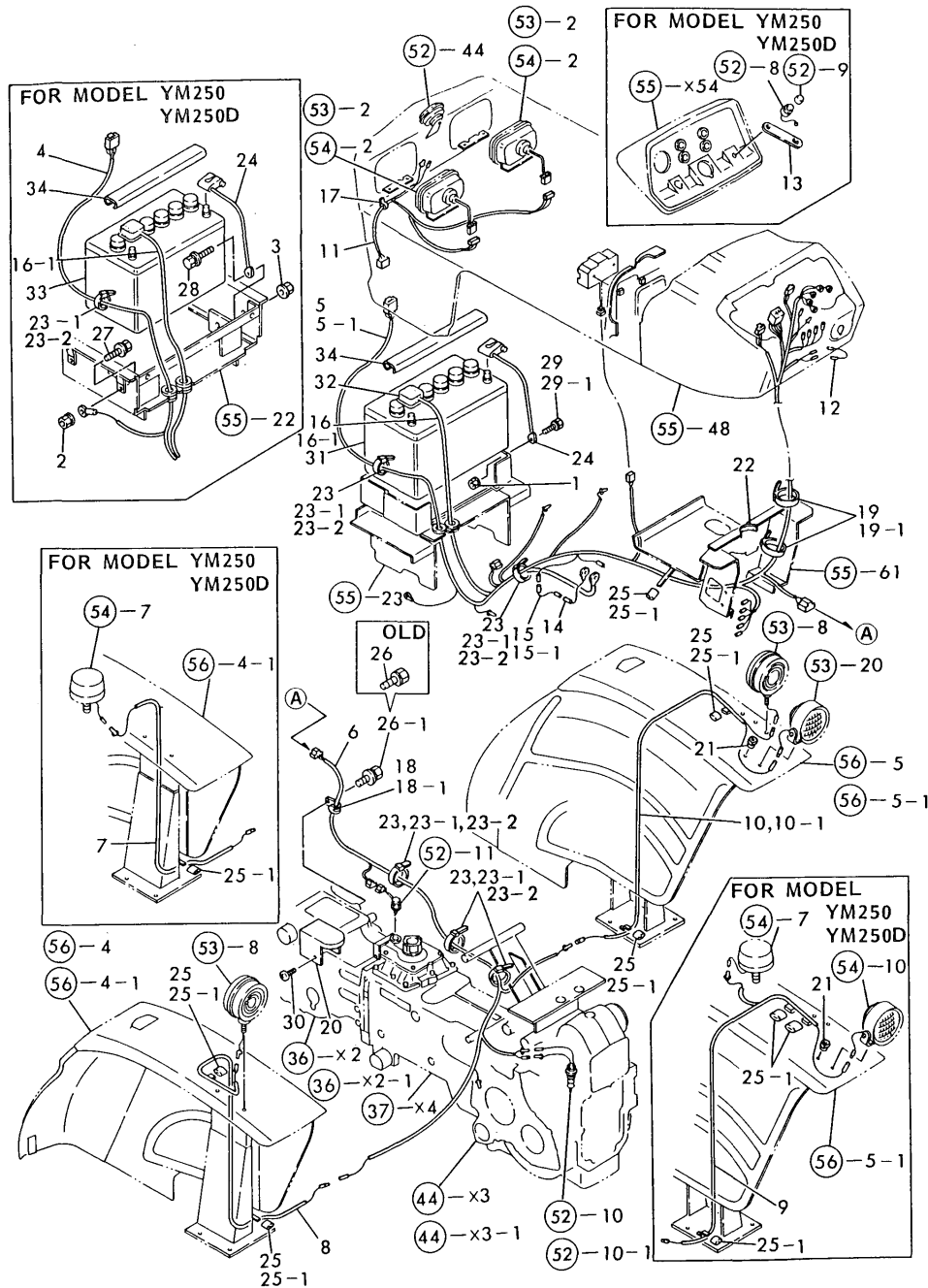


No.	Lev.	Parts No.	Description	Qty						I	R
				(A)	(B)	(C)	(D)	(E)	(F)		
1	1	194130-37730	TURNBUCKLE M10X70	1	1	1	1				
2	1	194432-47121	SHAFT, CONTROL LEVER	1	1	1	1				
3	1	194170-47310-X	BRACKET, LEVER GUIDE	1	1	1	1				
4	1	194420-47370	KNOB, LEVER	1	1	1	1				
5	1	194432-47390	STOPPER	1	1	1	1				
6	1	194170-47420	BAR, CONTROL	1	1	1	1				
7	1	194170-47440	PLATE, FRICTION	1	1	1	1				
8	1	194464-47440	BOLT, STOPPER	1	1	1	1				
9	1	194180-47490	ROD, FEEDBACK A	1	1	1	1				
10	1	194180-47500	ROD, FEEDBACK B	1	1	1	1				
11	1	194432-47530-X	SHAFT, FEED BACK	1	1	1	1				
12	1	194432-47540-X	LEVER, FEED BACK	1	1	1	1				
13	1	194432-47610-X	LEVER, CONTROL	1	1	1	1				
14	1	194432-47710-X	GUIDE, CONTROL LEVER	1	1	1	1				
15	1	194151-47760	WASHER, 12	4	4	4	4				
16	1	194310-47870	STOPPER, B	1	1	1	1				
17	1	22117-080000	WASHER, 8	2	2	2	2				
18	1	22117-080000	WASHER, 8	2	2	2	2				
19	1	22117-100000	WASHER, 10	2	2	2	2				
20	1	22117-100000	WASHER, 10	2	2	2	2				
21	1	22137-050000	WASHER, 5	2	2	2	2				
22	1	22137-080000	WASHER, 8	1	1	1	1				
23	1	22137-120000	WASHER, 12	1	1	1	1				
24	1	22217-050000	WASHER, SPRING 5	2	2	2	2				
25	1	22217-080000	WASHER, SPRING 8	2	2	2	2				
26	1	22217-080000	WASHER, SPRING 8	1	1	1	1				
27	1	22272-000040	RING, E- 4	1	1	1	1				
28	1	22272-000060	RING, E- 6	2	2	2	2				
29	1	22272-000060	RING, E- 6	2	2	2	2				
30	1	22351-040014	PIN, SPRING 4.0X14	1	1	1	1				
31	1	22351-050028	PIN, SPRING 5.0X28	1	1	1	1				
32	1	22417-300200	PIN, COTTER 3.0X20	1	1	1	1				
33	1	22417-300200	PIN, COTTER 3.0X20	2	2	2	2				
34	1	22522-030130	KEY, WOODRUFF 3X13	1	1	1	1				
35	1	24311-000150	O-RING, 1AP15.0	1	1	1	1				
36	1	24311-000150	O-RING, 1AP15.0	2	2	2	2				
37	1	26116-080182	BOLT, M8X 18 PLATED	2	2						
37-1	1	26116-080162	BOLT, M8X 16 PLATED	2	2	2	2				N
(A)=T/# 20581) (B)=T/# 40368)											
38	1	26587-050102	SCREW, M5X10	2	2	2	2				
39	1	26635-080002	NUT, WING M8	1	1	1	1				
40	1	26716-080002	NUT, M8	2	2	2	2				
41	1	26716-120002	NUT, M12	2	2	2	2				
42	1	26756-100002	NUT, LOCK M10	1	1	1	1				

(A)=YM220
 (B)=YM220D
 (C)=YM250

(D)=YM250D
 (E)=
 (F)=

Fig. 51 WIRE HARNESS



No.	Lev.	Parts No.	Description	Qty						I	R
				(A)	(B)	(C)	(D)	(E)	(F)		
1	1	194990-22050	NUT, M8	1	1						
2	1	194990-22050	NUT, M8				1	1			
3	1	194990-22050	NUT, M8				1	1			
4	1	194247-51110	HARNESS (A), WIRE				1	1			
5	1	194363-51110	HARNESS (A), WIRE	1	1						
5-1	1	194363-51111	HARNESS (A), WIRE	1	1						N
(A=T/# 20795) (B=T/# 40499)											
6	1	194363-51120	HARNESS (B), WIRE	1	1	1	1				
7	1	194150-51130	HARNESS (C), WIRE			1	1				
8	1	194322-51130	HARNESS, WIRE	1	1						
9	1	194150-51140	HARNESS (D), WIRE				1	1			
10	1	194322-51140	HARNESS (D), WIRE	1	1						
10-1	1	194275-51141	HARNESS, WIRE	1	1						N
(A=T/# 21109) (B=T/# 40696)											
11	1	194440-51150	HARNESS, WIRE	1	1	1	1				
12	1	194446-51160	WIRE, LEAD	1	1						
13	1	194440-51180	PLATE, EARTH				1	1			
14	1	194312-51210	WIRE, MAIN LEAD	1	1	1	1				
15	1	194312-51220	LINK, FUSIBLE	1	1						
15-1	1	194550-51220	LINK, FUSIBLE 0.85	1	1	1	1				N
(A=T/# 21022) (B=T/# 40620)											
16	1	194312-51411	CABLE, BATTERY	1	1						
16-1	1	194080-51411	CABLE, BATTERY	1	1	1	1				N
(A=*) (B=*)											
17	1	194150-51620	CLAMP, HARNESS	1	1						W
(A=T/# 21018) (B=T/# 40620)											
18	1	194440-51630	CLAMP, HARNESS	2	2						
18-1	1	194440-51620	CLAMP	2	2	2	2				S
(A=T/# 20581) (B=T/# 40393)											
19	1	194250-51660	BAND 250	2	2						
19-1	1	194250-51660	BAND 250	3	3	2	2				K
(A=T/# 21018) (B=T/# 40620)											
20	1	194361-52370	COVER, SAFETY SWITCH	1	1	1	1				
21	1	194080-58810	GROMMET, 8	1	1	1	1				
22	1	194420-58820	GROMMET, L=83	1	1	1	1				
23	1	121750-59890	BAND, 140	5	5						
23-1	1	121750-59890	BAND, 140	6	6	6	6				K
(A=*) (B=*)											
23-2	1	121750-59890	BAND, 140	7	7						K
(A=T/# 21341) (B=T/# 40826)											
24	1	194240-83420	CABLE	1	1	1	1				
25	1	23061-070035	PIPE, 7X 35	7	7						
25-1	1	23061-070035	PIPE, 7X 35	6	6	4	4				K
(A=*1982.) (B=*1982.)											
26	1	26013-060122	BOLT, M6X 12	1	1						
26-1	1	26011-080162	BOLT M 8X 16	1	1						N
(A=T/# 20581) (B=T/# 40368)											
27	1	26011-080162	BOLT M 8X 16				1	1			
28	1	26011-080162	BOLT M 8X 16				1	1			
29	1	26013-080142	BOLT, M8X 14		1	1					
29-1	1	26013-080122	BOLT, M8X 12		1	1					N

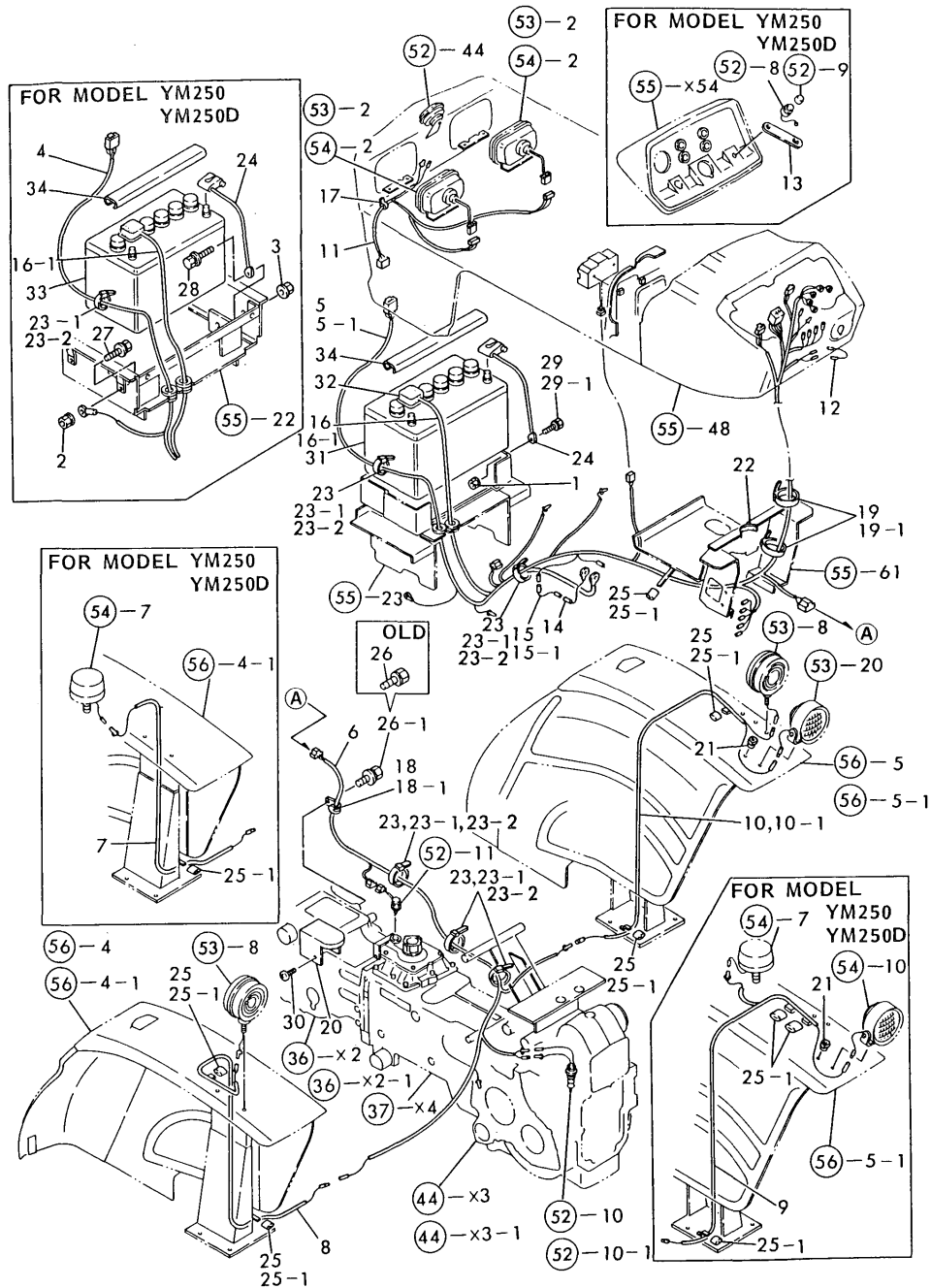
N:Old $\frac{Yes}{No}$ New, Q:Old $\frac{No}{Yes}$ New, R:Old $\frac{Yes}{Yes}$ New, S:Old $\frac{No}{No}$ New, W:Add, Z:Discontinued, F:Interchangeable by set, K:Qty Change
 ++ CONTINUE ++
 Copyright (C) YANMAR CO., LTD. All Rights Reserved.

Fig.51. WIRE HARNESS

(A)=YM220
(B)=YM220D
(C)=YM250

(D)=YM250D
(E)=
(F)=

Fig. 51 WIRE HARNESS



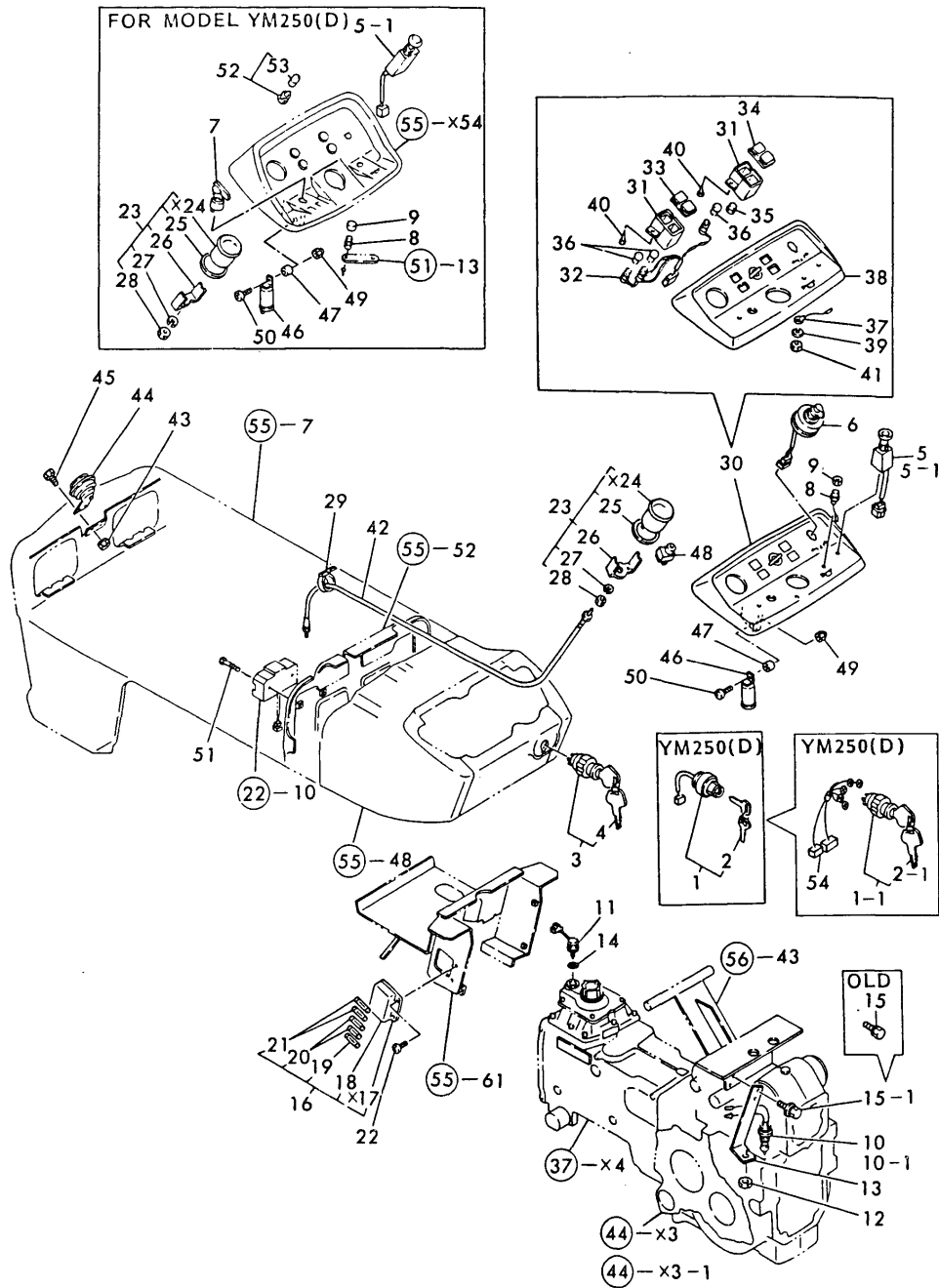
No.	Lev.	Parts No.	Description	Q'ty						I	R
				(A)	(B)	(C)	(D)	(E)	(F)		
		(A=T/# 20581) (B=T/# 40393)									
30	1	26587-060162	SCREW, M6X16		2	2	2	2			
31	1	194432-51310	BATTERY (DRN50Z), DRY	1	1						
32	1	194080-51430	INSULATOR	1	1						Z
		(A=T/# 21015) (B=T/# 40590)									
33	1	194247-51500	BATTERY N50				1	1			
34	1	194432-51550	COVER, BATTERY	1	1	1	1				

Fig.52. ELECTRIC PARTS

(A)=YM220
(B)=YM220D
(C)=YM250

(D)=YM250D
(E)=
(F)=

Fig. 52 ELECTRIC PARTS



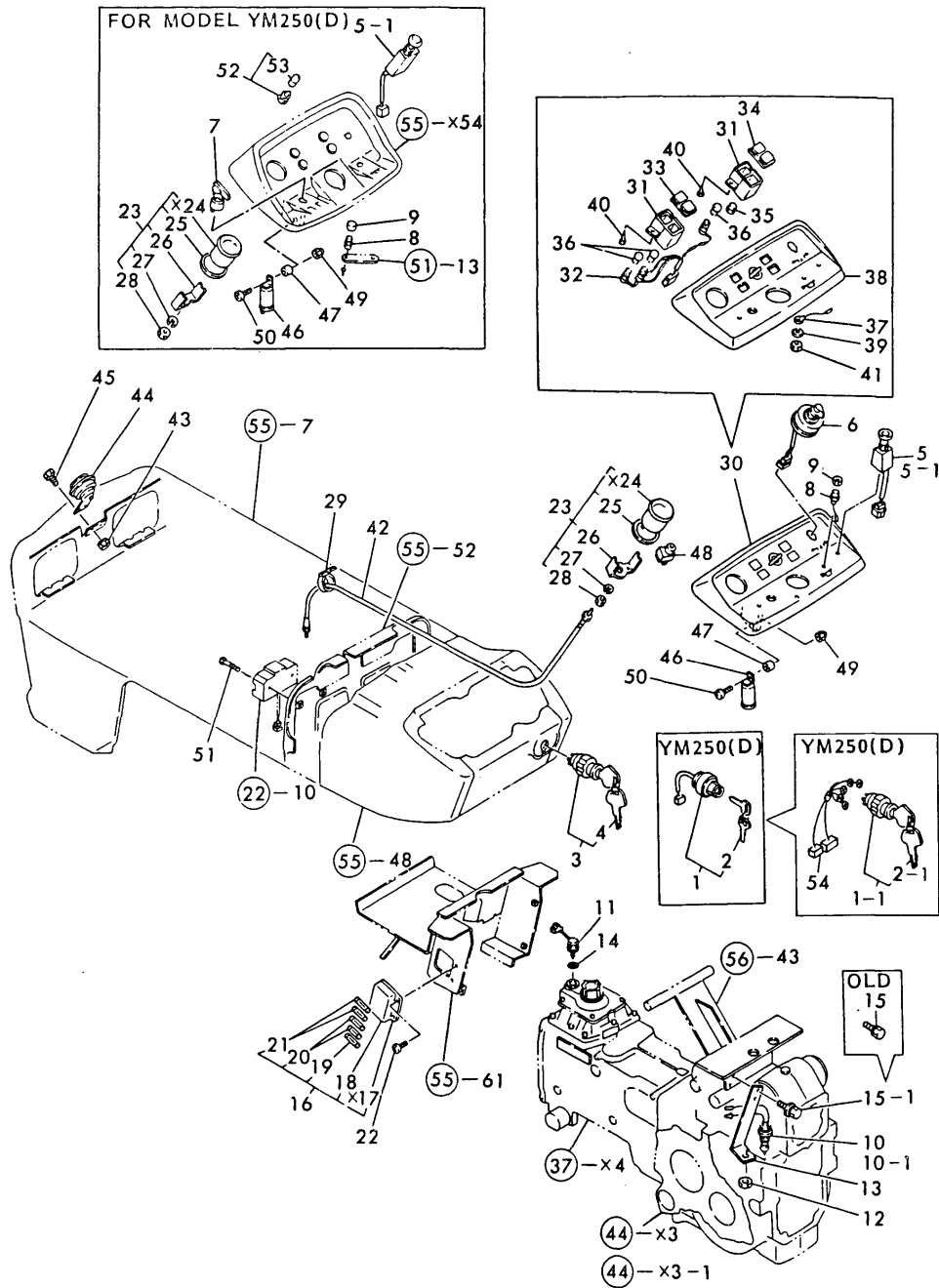
No.	Lev.	Parts No.	Description	Qty						I	R
				(A)	(B)	(C)	(D)	(E)	(F)		
1	1	194215-52110	SWITCH, STARTING			1	1				
1-1	1	194155-52110	SWITCH, STARTING (C=FROM 1ST) (D=FROM 1ST)			1	1				S
2	2	194215-52120	KEY			2	2				
2-1	2	194155-52160	KEY ASSY (C=T/# 40021) (D=T/# 40001)			2	2				N
3	1	194322-52110	SWITCH, STARTING	1	1						
4	2	194155-52160	KEY ASSY	2	2						
5	1	194440-52120	SWITCH, LIGHTING	1	1						
5-1	1	194420-52120	SWITCH, LIGHTING (A=T/# 21059) (B=T/# 40685)	1	1	1	1				N
6	1	194170-52130	SWITCH, TURN SIGNAL	1	1						
7	1	194440-52130	SWITCH, TURN SIGNAL			1	1				
8	1	194150-52160	SWITCH, HORN	1	1	1	1				
9	1	194150-52170	CAP, SWITCH	1	1	1	1				
10	1	194440-52190	SWITCH, SAFETY START	1	1						
10-1	1	194440-52191	SWITCH, SAFETY START (A=T/# 20620) (B=T/# 40609)	1	1						N
11	1	194464-52190	SWITCH, SAFETY START	1	1	1	1				
12	1	194240-52210	NUT, M22	1	1						
13	1	194363-52230-X	STAY, SAFETY SWITCH	1	1						
14	1	24311-000180	O-RING, 1AP18.0	1	1	1	1				
15	1	26013-060122	BOLT, M6X 12	2	2						
15-1	1	26014-060122	BOLT, M6X 12	2	2						N
16	1	194440-52400	BOX ASSY, FUSE (A=T/# 20581) (B=T/# 40393)	1	1	1	1				
18	2	194440-52420	COVER	1	1	1	1				
19	2	194145-52820	FUSE 5A	1	1	1	1				
19-1	2	29411-050000	FUSE, CARTRIDGE 5A (A=T/# 21338) (B=T/# 40816) (C=T/# 20055) (D=T/# 40001)	1	1	1	1				N
20	2	194145-52830	FUSE 10A	2	2	2	2				
20-1	2	29411-100000	FUSE, CARTRIDGE 10A (A=T/# 21338) (B=T/# 40816) (C=T/# 20055) (D=T/# 40001)	2	2	2	2				N
21	2	194145-52840	FUSE 15A	2	2	2	2				
21-1	2	29411-150000	FUSE, CARTRIDGE 15A (A=T/# 21338) (B=T/# 40816) (C=T/# 20055) (D=T/# 40001)	2	2	2	2				N
22	1	26587-060202	SCREW, M6X20	2	2	2	2				
23	1	194432-56100	METER ASSY, HOUR	1	1	1	1				
25	2	194432-56150	RUBBER, BASE	1	1	1	1				
26	2	194432-56170	WASHER	1	1	1	1				
27	2	22217-040000	WASHER, SPRING 4	2	2	2	2				
28	2	26716-040002	NUT, M4	2	2	2	2				
29	1	121750-59890	BAND, 140	1	1	2	2				
30	1	194432-61600	DASHBOARD ASSY	1	1						
31	2	194170-55120	BOX, PILOT	2	2						
32	2	194170-55130	CORD	1	1						
33	2	194170-55150	LENS, PILOT	1	1						
34	2	194170-55160	LENS (B)	1	1						
35	2	194170-55170	COVER	1	1						
36	2	194155-55820	BULB, 12V1.7W	3	3						
37	2	194432-56130	CORD	1	1						

Fig.52. ELECTRIC PARTS

(A)=YM220
(B)=YM220D
(C)=YM250

(D)=YM250D
(E)=
(F)=

Fig. 52 ELECTRIC PARTS



No.	Lev.	Parts No.	Description	Qty						I	R
				(A)	(B)	(C)	(D)	(E)	(F)		
38	2	194432-61610	PANEL, DASHBOARD	1	1						
39	2	22217-080000	WASHER, SPRING 8	2	2						
40	2	22857-400120	SCREW, 4X12	4	4						
41	2	26716-080002	NUT, M8	1	1						
42	1	121400-91140	SHAFT	1	1	1	1				
43	1	194990-22040	NUT, M6	2	2	2	2				
44	1	194151-57100	HORN	1	1	1	1				
45	1	26116-060122	BOLT, M6X 12 PLATED	2	2	2	2				
46	1	194080-57202	RELAY	1	1	1	1				
47	1	194151-57210	SPACER	1	1	1	1				
48	1	194464-57250	RELAY, CHECK	1	1	1	1				
49	1	26346-050002	NUT, M5	1	1	1	1				
50	1	26557-050162	SCREW, M5X16	1	1	1	1				
51	1	26557-060302	SCREW, M6X30	2	2	2	2				
52	1	194440-55100	LAMP ASSY, INDICATOR			3	3				
53	2	194440-55820	BULB, 12V3.4W			3	3				
54	1	194247-52160	WIRE, LEAD			1	1				W

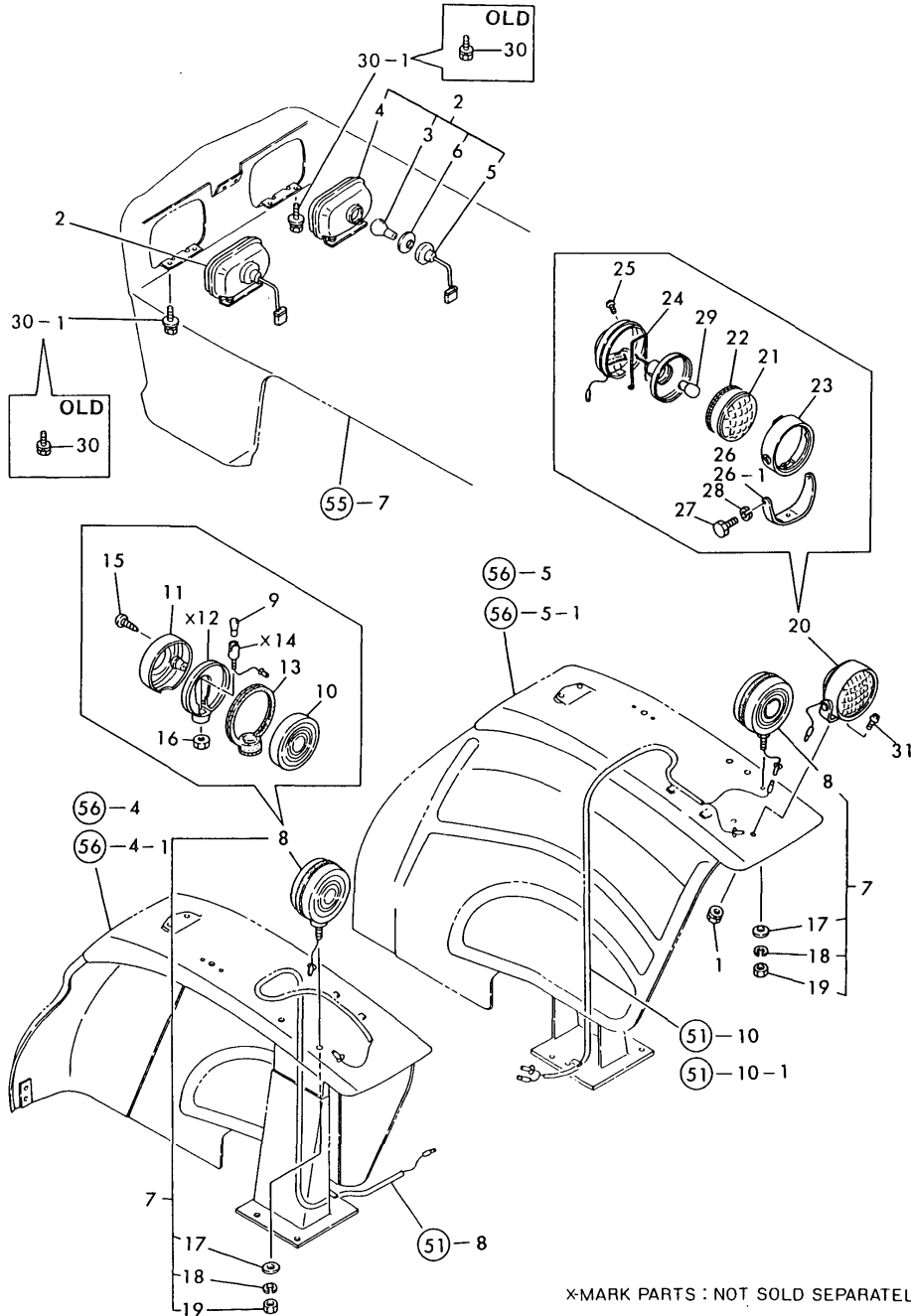
(C)=FROM 1ST (D)=FROM 1ST

Fig.53. LAMP (FOR YM220 & YM220D)

(A)=YM220
(B)=YM220D
(C)=YM250

(D)=YM250D
(E)=
(F)=

Fig. 53 LIGHT (For Model YM220, YM220D)



No.	Lev.	Parts No.	Description	Qty						I	R
				(A)	(B)	(C)	(D)	(E)	(F)		
1	1	194990-22050	NUT, M8	1	1						
2	1	194201-53051	LIGHT ASSY, HEAD	2	2						
3	2	194262-53080	BULB, 12V25W	2	2						
4	2	194262-53090	BEAM UNIT	2	2						
5	2	194201-53100	SOCKET	2	2						
6	2	194201-53110	GASKET	2	2						
7	1	794275-53401	LAMP ASSY, WORKING	2	2						
8	2	194275-53401	LAMP ASSY, WORKING	2	2						
9	3	194275-53410	BULB	2	2						
10	3	194275-53421	LENS	2	2						
11	3	194275-53431	LENS	2	2						
13	3	194275-53451	GASKET, LENS	2	2						
15	3	194275-53481	SCREW, TAPPING M4X40	6	6						
16	3	26756-100002	NUT, LOCK M10	2	2						
17	2	22137-100000	WASHER, 10	2	2						
18	2	22217-100000	WASHER, SPRING 10	2	2						
19	2	26716-100002	NUT, M10	2	2						
20	1	794081-54101	LAMP ASSY, WORKING	1	1						
21	2	194081-54110	LENS	1	1						
22	2	194081-54120	GASKET	1	1						
23	2	194081-54131	RIM	1	1						
24	2	194081-54151	SPRING	1	1						
25	2	194081-54210	SCREW	1	1						
26	2	194081-54220	STAY	2	2						
26-1	2	194081-54221	STAY	1	1						N
		(A=T/# 21022) (B=T/# 40640)									
27	2	194081-54230	BOLT M6X 12	2	2						
28	2	194081-54240	SPRING WASHER 6	2	2						
29	2	194081-55820	BULB, 12V20W	1	1						
30	1	26013-060122	BOLT, M6X 12	4	4						
30-1	1	26014-060122	BOLT, M6X 12	4	4						N
		(A=T/# 20581) (B=T/# 40393)									
31	1	26587-080162	SCREW, M8X16	1	1						

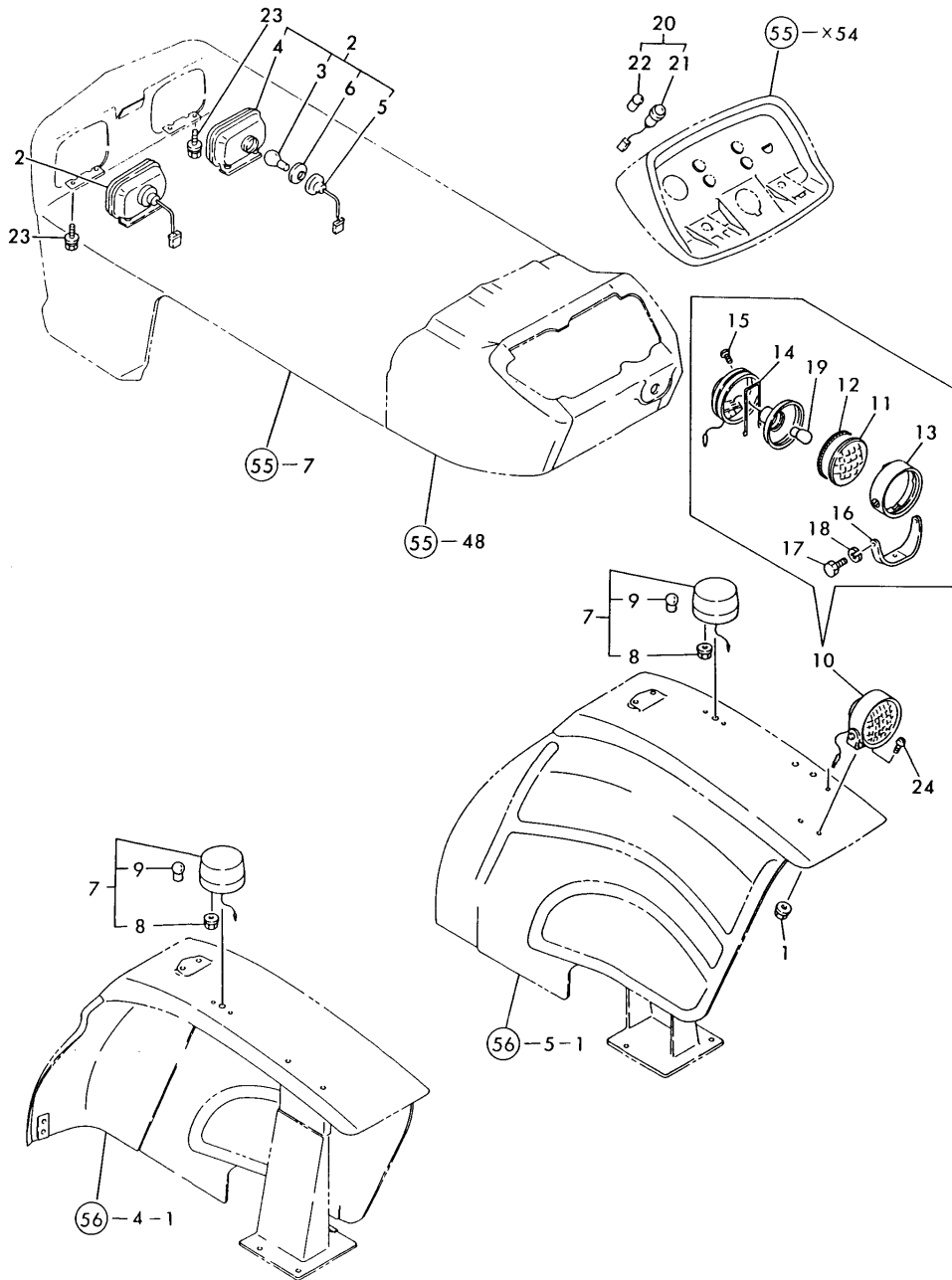
X-MARK PARTS : NOT SOLD SEPARATELY

Fig.54. LAMP (FOR YM250 & YM250D)

(A)=YM220
(B)=YM220D
(C)=YM250

(D)=YM250D
(E)=
(F)=

Fig. 54 LIGHT (For Model YM250, YM250D)



No.	Lev.	Parts No.	Description	Qty						I	R
				(A)	(B)	(C)	(D)	(E)	(F)		
1	1	194990-22050	NUT, M8			1	1				
2	1	194201-53051	LIGHT ASSY, HEAD			2	2				
3	2	194262-53080	BULB, 12V25W			2	2				
4	2	194262-53090	BEAM UNIT			2	2				
5	2	194201-53100	SOCKET			2	2				
6	2	194201-53110	GASKET			2	2				
7	1	794150-53400	LAMP ASSY, FLASHER			2	2				
8	2	194990-22030	NUT, M5			4	4				
9	2	194080-55820	BULB 12V-20W			2	2				
10	1	794081-54101	LAMP ASSY, WORKING			1	1				
11	2	194081-54110	LENS			1	1				
12	2	194081-54120	GASKET			1	1				
13	2	194081-54131	RIM			1	1				
14	2	194081-54151	SPRING			1	1				
15	2	194081-54210	SCREW			1	1				
16	2	194081-54221	STAY			1	1				
17	2	194081-54230	BOLT M6X 12			2	2				
18	2	194081-54240	SPRING WASHER 6			2	2				
19	2	194081-55820	BULB, 12V20W			1	1				
20	1	194440-55100	LAMP ASSY, INDICATOR			3	3				
21	2	194440-55120	SOCKET			3	3				
22	2	194440-55820	BULB, 12V3.4W			3	3				
23	1	26014-060122	BOLT, M6X 12			4	4				
24	1	26587-080162	SCREW, M8X16			1	1				

Fig.55. HOOD

(A)=YM220
(B)=YM220D
(C)=YM250

(D)=YM250D
(E)=
(F)=

Fig. 55 HOOD

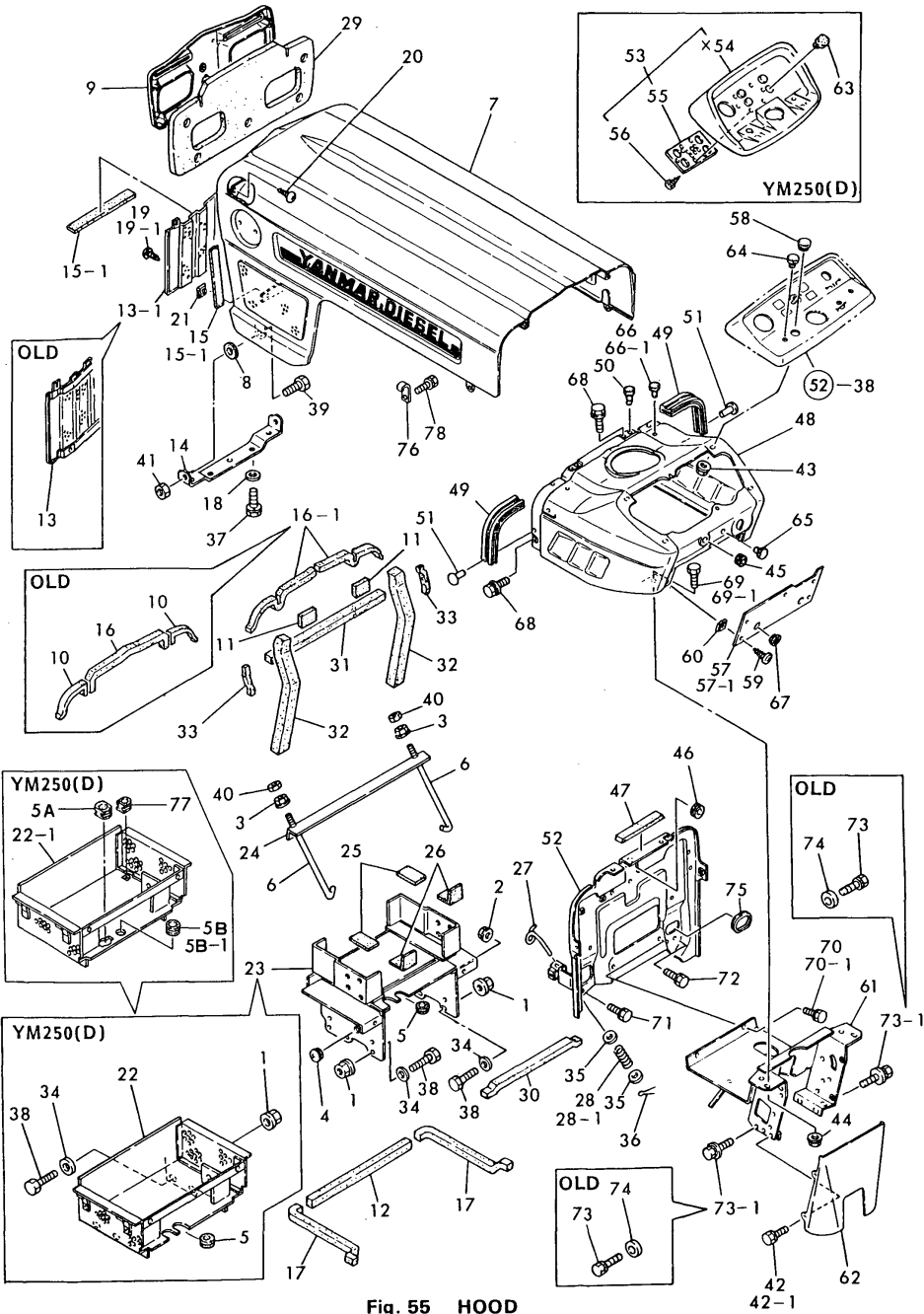


Fig. 55 HOOD

No.	Lev.	Parts No.	Description	Qty						I	R
				(A)	(B)	(C)	(D)	(E)	(F)		
1	1	194990-22050	NUT, M8	6	6	4	4				
2	1	194990-22130	NUT, M6	2	2	2	2				
3	1	194990-22140	NUT, M8	2	2	2	2				
4	1	192060-46110	CAP, RUBBER	1	1						
5	1	194170-51210	GROMMET 25	1	1	2	2				Z
		(C=T/# 20055)	(D=T/# 40001)								
5A	1	194305-51210	GROMMET, 25			1	1				W
		(C=T/# 20055)	(D=T/# 40001)								
5B	1	29311-163000	GROMMET, 16.0X3			1	1				W
		(C=T/# 20055)	(D=T/# 40001)								
5B-1	1	194080-58820	GROMMET, 15			1	1				N
		(C=T/# 20055)	(D=T/# 40021)								
6	1	194145-51570	ROD, BATTERY CLAMP	2	2	2	2				
7	1	194432-61100-R	HOOD	1	1	1	1				
8	1	194190-61250	GASKET	2	2	2	2				
9	1	194420-61250	GRILLE(UPPER), FRONT	1	1	1	1				
10	1	194440-61220	PAD, (RUBBER)	2	2						Z
		(A=*)	(B=*)								
11	1	194322-61430	PAD, RUBBER	2	2	3	3				W
		(A=T/# 20944)	(B=T/# 40573)								
12	1	194322-61290	PAD, (RUBBER)	1	1	1	1				
13	1	194422-61371	GRILLE(LOWER), FRONT	1	1						
13-1	1	194446-61310	GRILLE, FRONT LOWER	1	1	1	1				S
		(A=*1982.10)	(B=*1982.10)								
14	1	194440-61320	HINGE, HOOD	1	1	1	1				
15	1	194446-61920	PAD, (RUBBER)	2	2						
15-1	1	194312-61290	PAD, RUBBER	3	3	3	3				N
		(A=*1982.10)	(B=*1982.10)								
16	1	194275-61480	PAD, (RUBBER)	1	1						
16-1	1	194275-61480	PAD, (RUBBER)	2	2	2	2				K
		(A=T/# 20933)	(B=T/# 40558)								
17	1	194432-61480	PAD, (RUBBER)	2	2	2	2				
18	1	194145-61570	WASHER, 10	2	2	2	2				
19	1	194420-61640	SCREW, TAPPING M5X16	2	2						
19-1	1	194250-61640	SCREW, TAPPING M5X12	2	2	2	2				N
		(A=T/# 21133)	(B=T/# 40721)								
20	1	194420-61640	SCREW, TAPPING M5X16	5	5	5	5				W
		(A=T/# 21133)	(B=T/# 40721)								
21	1	194145-61650	NUT, SPEED M5	2	2	2	2				
22	1	194247-61700	COVER, DUST			1	1				
22-1	1	194247-61701	COVER, DUST			1	1				S
		(C=T/# 20055)	(D=T/# 40001)								
22-2	1	194247-61702	COVER, DUST			1	1				S
		(C=T/# 20055)	(D=T/# 40001)								
23	1	194432-61700-X	COVER ASSY, DUST	1	1						
24	1	194190-61750	CLAMP, BATTERY	1	1	1	1				
25	1	194190-61761	RUBBER, CUSHION	2	2	2	2				
26	1	194190-61780	RUBBER, CUSHION	2	2	2	2				
27	1	194440-61820	LEVER, BONNET LOCK	2	2	2	2				
28	1	194432-61830	SPRING	2	2						
28-1	1	194440-61831	SPRING, HOOD LOCK	2	2	2	2				S

N:Old $\begin{matrix} \text{Yes} \\ \text{No} \end{matrix}$ New, Q:Old $\begin{matrix} \text{No} \\ \text{Yes} \end{matrix}$ New, R:Old $\begin{matrix} \text{Yes} \\ \text{No} \end{matrix}$ New, S:Old $\begin{matrix} \text{No} \\ \text{Yes} \end{matrix}$ New, W:Add, Z:Discontinued, F:Interchangeable by set, K:Qty Change
++ CONTINUE ++
Copyright (C) YANMAR CO., LTD. All Rights Reserved.

Fig.55. HOOD

(A)=YM220
(B)=YM220D
(C)=YM250

(D)=YM250D
(E)=
(F)=

Fig. 55 HOOD

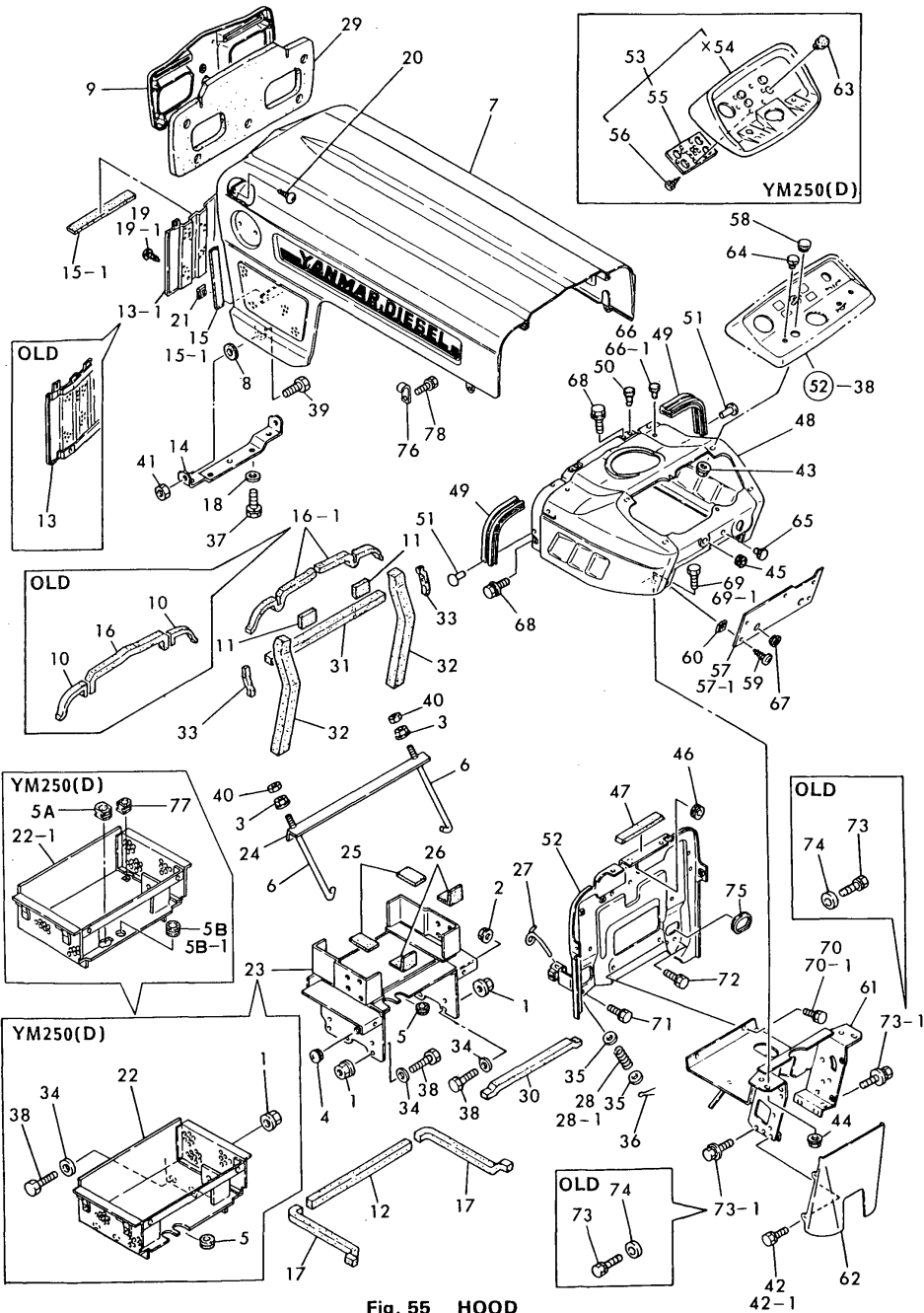


Fig. 55 HOOD

No.	Lev.	Parts No.	Description	Qty						I	R
				(A)	(B)	(C)	(D)	(E)	(F)		
		(A=*1982.08) (B=*1982.08)									
29	1	194446-61910	PAD, RUBBER	1	1	1	1				
30	1	194446-61930	PAD, (RUBBER)	1	1						
31	1	194432-61940	PAD, RUBBER	1	1	1	1				
32	1	194432-61950	PAD, (RUBBER)	2	2	2	2				
33	1	194446-61950	PAD, RUBBER	2	2	2	2				
34	1	22137-080000	WASHER, 8	6	6	4	4				
35	1	22157-060000	WASHER, 6	4	4	4	4				
36	1	22417-200200	PIN, COTTER 2.0X20	2	2	2	2				
37	1	26013-100202	BOLT, M10X 20	2	2	2	2				
38	1	26116-080302	BOLT, M8X 30 PLATED	6	6	4	4				
39	1	26116-120252	BOLT, M12X 25 PLATED	2	2	2	2				
40	1	26716-080002	NUT, M8	2	2	2	2				
41	1	26716-120002	NUT, M12	2	2	2	2				
42	1	26013-060142	BOLT, M6X 14	4	4						
42-1	1	194155-05210	BOLT, M6X16	4	4	4	4				N
		(A=T/# 20581) (B=T/# 40368)									
43	1	194990-22120	NUT, M5	6	6	6	6				
44	1	194990-22140	NUT, M8	2	2	2	2				
45	1	194080-58810	GROMMET, 8	1	1	1	1				
46	1	194162-58830	GROMMET, 20	1	1	1	1				
47	1	194440-61220	PAD, (RUBBER)	1	1	1	1				
48	1	194430-61500	DASHBOARD ASSY	1	1	1	1				
49	1	194440-61550	GASKET, BONNET	2	2	2	2				
50	1	194145-61560	RUBBER, ABSORBER	2	2	2	2				
51	1	194190-61560	RIVET, 5X6	4	4	4	4				
52	1	194432-61570	PLATE, AIR CUT	1	1	1	1				
53	1	194440-61610	PANEL, DASHBOARD					1	1		
55	2	194440-61690	BOARD					1	1		
56	2	22857-300100	SCREW 3X10,TAPPING			6	6				
57	1	194446-61620-R	COVER, DUSH BORD	1	1						
57-1	1	194446-61621-R	COVER, DASHBOARD	1	1	1	1				N
		(A=FROM 1ST) (B=FROM 1ST)									
58	1	194448-61620	GROMMET, 20.5	1	1						
59	1	194420-61640	SCREW, TAPPING M5X16	5	5	5	5				
60	1	194145-61650	NUT, SPEED M5	5	5	5	5				
61	1	194432-61660-X	STAY, DASHBOARD	1	1	1	1				
62	1	194363-61670	COVER, GEAR BOX	1	1	1	1				
63	1	194275-62310	CAP, RUBBER 10					1	1		
64	1	194275-62310	CAP, RUBBER 10	1	1						
65	1	194275-62310	CAP, RUBBER 10	1	1						
66	1	194446-62310	CAP, RUBBER 8	2	2						
66-1	1	194324-62310	CAP, RUBBER 4.5	4	4	4	4				S
		(A=T/# 21133) (B=T/# 40721)									
67	1	194145-64430	GROMMET, 12	2	2	2	2				
68	1	26011-060122	BOLT M 6X 12	4	4	4	4				
69	1	26116-080162	BOLT, M8X 16 PLATED	2	2						
69-1	1	26011-080162	BOLT M 8X 16	2	2	2	2				N
		(A=T/# 20621) (B=T/# 40422)									
70	1	26013-080142	BOLT, M8X 14	2	2						
70-1	1	26013-080122	BOLT, M8X 12	2	2	2	2				N

N:Old $\frac{Yes}{No}$ New, Q:Old $\frac{No}{Yes}$ New, R:Old $\frac{Yes}{No}$ New, S:Old $\frac{No}{Yes}$ New, W:Add, Z:Discontinued, F:Interchangeable by set, K:Q'ty Change
 ++ CONTINUE ++
 Copyright (C) YANMAR CO., LTD. All Rights Reserved.

Fig.55. HOOD

(A)=YM220
(B)=YM220D
(C)=YM250

(D)=YM250D
(E)=
(F)=

Fig. 55 HOOD

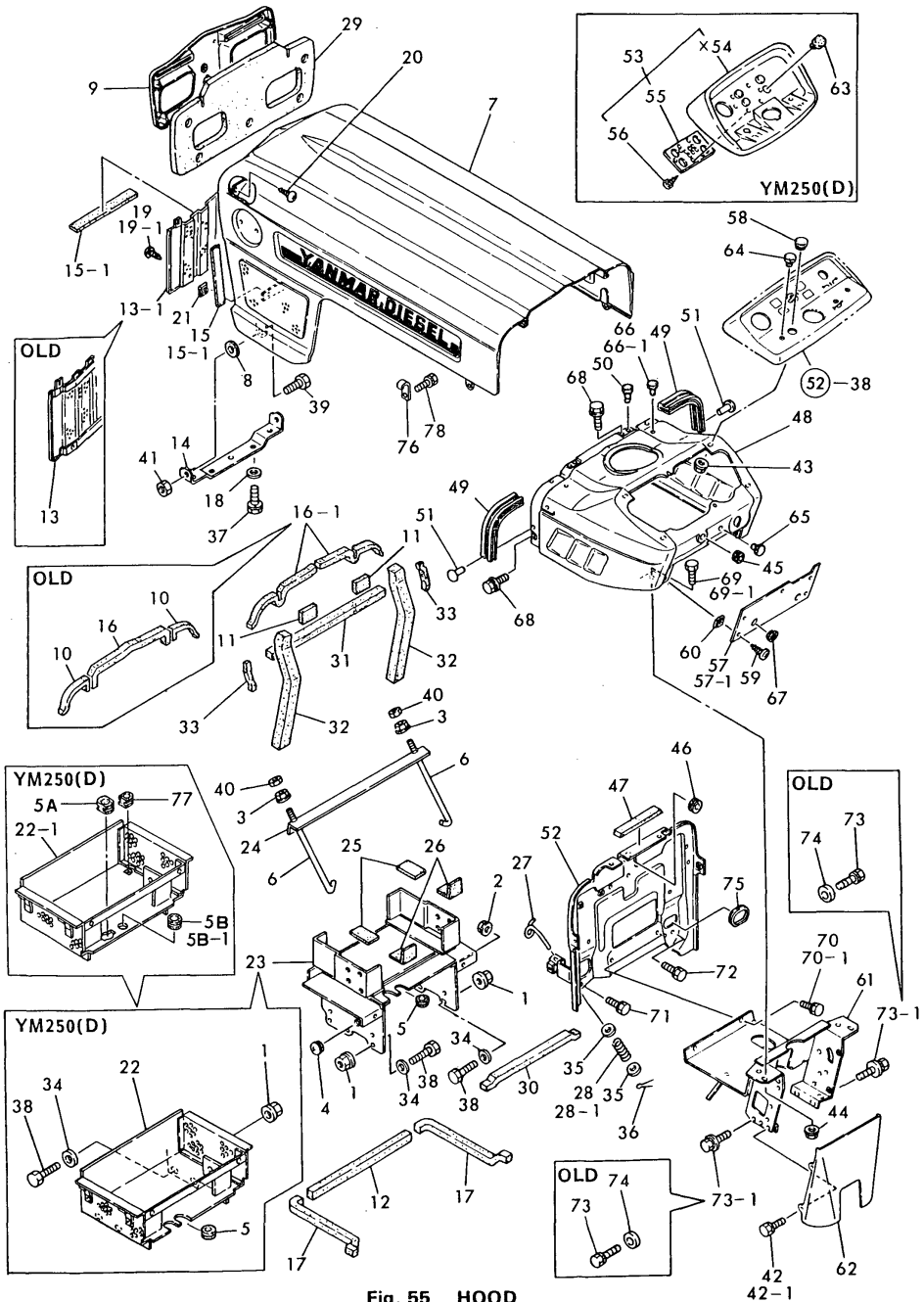


Fig. 55 HOOD

No.	Lev.	Parts No.	Description	Qty						I	R
				(A)	(B)	(C)	(D)	(E)	(F)		
		(A=T/# 20581) (B=T/# 40368)									
71	1	26013-080162	BOLT, M8X 16	1	1	1	1				
72	1	26013-080252	BOLT, M8X 25	1	1	1	1				
73	1	26013-080162	BOLT, M8X 16	4	4						
74	1	22137-080000	WASHER, 8	4	4						Z
		(A=*) (B=*)									
75	1	194446-61580	GROMMET, L=125	1	1						Z
		(A=*) (B=*)									
76	1	194440-51620	CLAMP			1	1				W
		(C=T/# 20041) (D=T/# 40001)									
77	1	194550-77590	GROMMET, 10.5			1	1				W
		(C=T/# 20055) (D=T/# 40001)									
78	1	26013-080122	BOLT, M8X 12			1	1				W
		(C=T/# 20041) (D=T/# 40001)									

Fig.56. FENDER & SEAT

(A)=YM220
(B)=YM220D
(C)=YM250

(D)=YM250D
(E)=
(F)=

Fig. 56 FENDER & SEAT

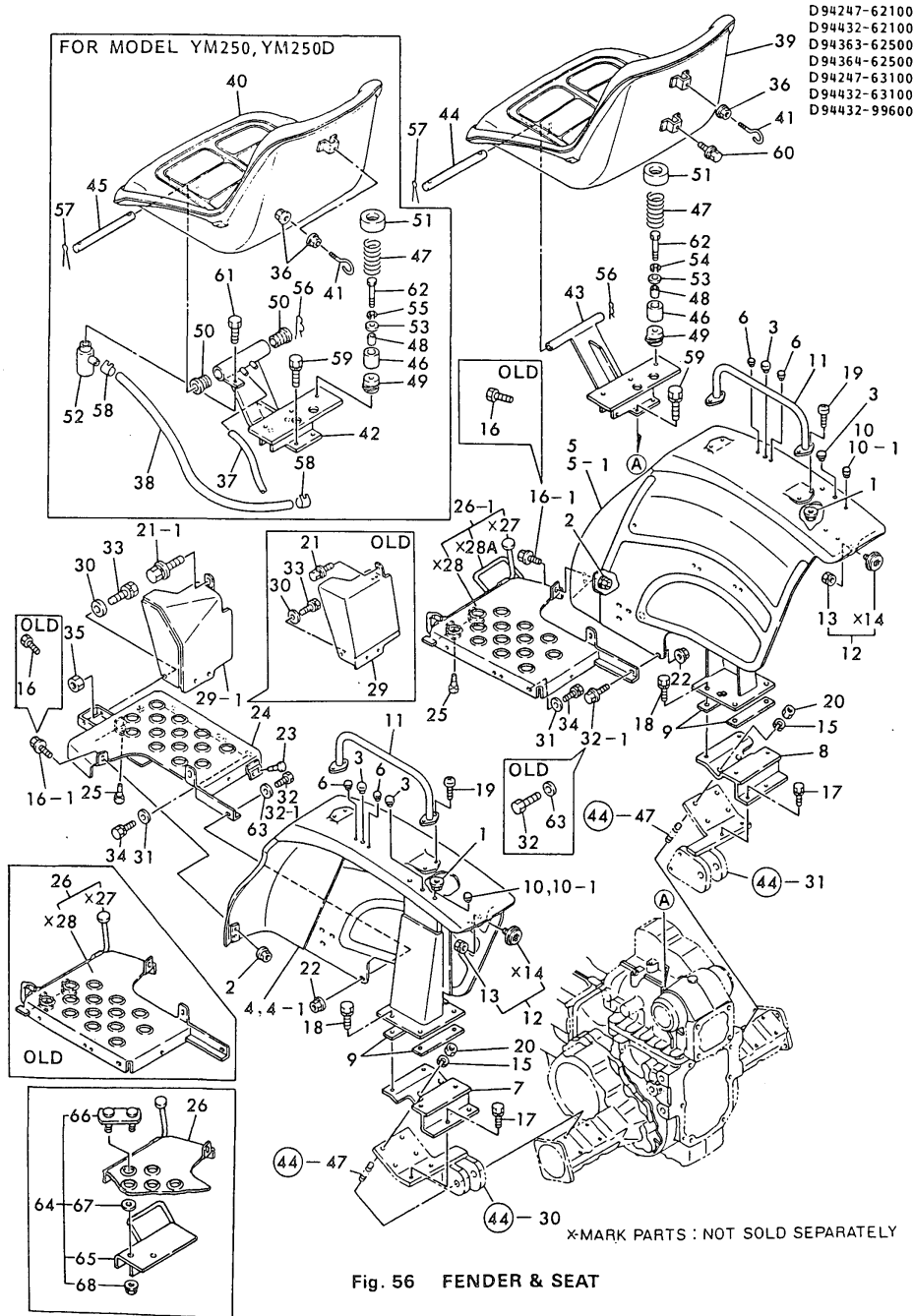


Fig. 56 FENDER & SEAT

No.	Lev.	Parts No.	Description	Qty						I	R
				(A)	(B)	(C)	(D)	(E)	(F)		
1	1	194990-22130	NUT, M6	8	8	8	8				
2	1	194990-22140	NUT, M8	2	2	2	2				
3	1	194448-61620	GROMMET, 20.5	4	4	2	2				
4	1	194167-62110-R	FENDER (L)	1	1						
4-1	1	194167-62111-R	FENDER (L)	1	1	1	1				N
		(A=T/# 20581) (B=T/# 40368)									
5	1	194167-62120-R	FENDER (R)	1	1						
5-1	1	194167-62121-R	FENDER (R)	1	1	1	1				N
		(A=T/# 20581) (B=T/# 40368)									
6	1	194432-62150	CAP, RUBBER 6	4	4						
7	1	194432-62200-R	BRACKET, FENDER	1	1	1	1				
8	1	194432-62210-R	BRACKET, FENDER	1	1	1	1				
9	1	194432-62230	RUBBER, CUSHION	4	4	4	4				
10	1	194145-64430	GROMMET, 12	6	6						
10-1	1	194145-64430	GROMMET, 12	2	2	4	4				K
		(A=T/# 20581) (B=T/# 40368)									
11	1	194740-70270	BAR, ASSIST	2	2	2	2				
12	1	194740-76200	REFLECTOR	2	2	2	2				
13	2	194990-22030	NUT, M5	2	2	2	2				
15	1	22217-100000	WASHER, SPRING 10	4	4	4	4				
16	1	26116-080202	BOLT, M8X 20 PLATED	2	2						
16-1	1	26011-080162	BOLT M 8X 16	2	2	2	2				N
		(A=T/# 21018) (B=T/# 40620)									
17	1	26013-100202	BOLT, M10X 20	4	4	4	4				
18	1	26013-100252	BOLT, M10X 25	8	8	8	8				
19	1	26587-060162	SCREW, M6X16	8	8	8	8				
20	1	26716-100002	NUT, M10	4	4	4	4				
21	1	26014-060142	BOLT, M6X 14	1	1						
21-1	1	194155-05210	BOLT, M6X16	1	1	1	1				N
		(A=T/# 20581) (B=T/# 40368)									
22	1	194990-22140	NUT, M8	4	4	4	4				
23	1	194145-61560	RUBBER, ABSORBER		1		1				
24	1	194432-62511-X	STEP (L)	1	1	1	1				
25	1	194330-62530	STOPPER, PEDAL	3	3	3	3				
26	1	194432-62530-X	STEP (R)	1	1	1	1				
26-1	1	194432-62531	STEP (R)	1	1	1	1				N
		(A=T/# 21412) (B=T/# 40893) (C=T/# 20055) (D=T/# 40021)									
29	1	194432-62550-X	PROTECTOR	1	1						
29-1	1	194432-62551-X	PROTECTOR	1	1	1	1				N
		(A=FROM 1ST) (B=FROM 1ST)									
30	1	22137-080000	WASHER, 8	3	3	3	3				
31	1	22137-100000	WASHER, 10	4	4	4	4				
32	1	26116-080202	BOLT, M8X 20 PLATED	4	4						
32-1	1	26011-080162	BOLT M 8X 16	4	4	4	4				N
		(A=T/# 21018) (B=T/# 40620)									
33	1	26013-080202	BOLT, M8X 20	3	3	3	3				
34	1	26013-100252	BOLT, M10X 25	4	4	4	4				
35	1	26716-080002	NUT, M8	1	1	1	1				
36	1	194990-22130	NUT, M6	1	1	2	2				
37	1	194282-36660	PIPE, AIR BREATHER			2	2				
38	1	194515-62450	PIPE, AIR BREATHER			1	1				

Fig.56. FENDER & SEAT

(A)=YM220
(B)=YM220D
(C)=YM250

(D)=YM250D
(E)=
(F)=

Fig. 56 FENDER & SEAT

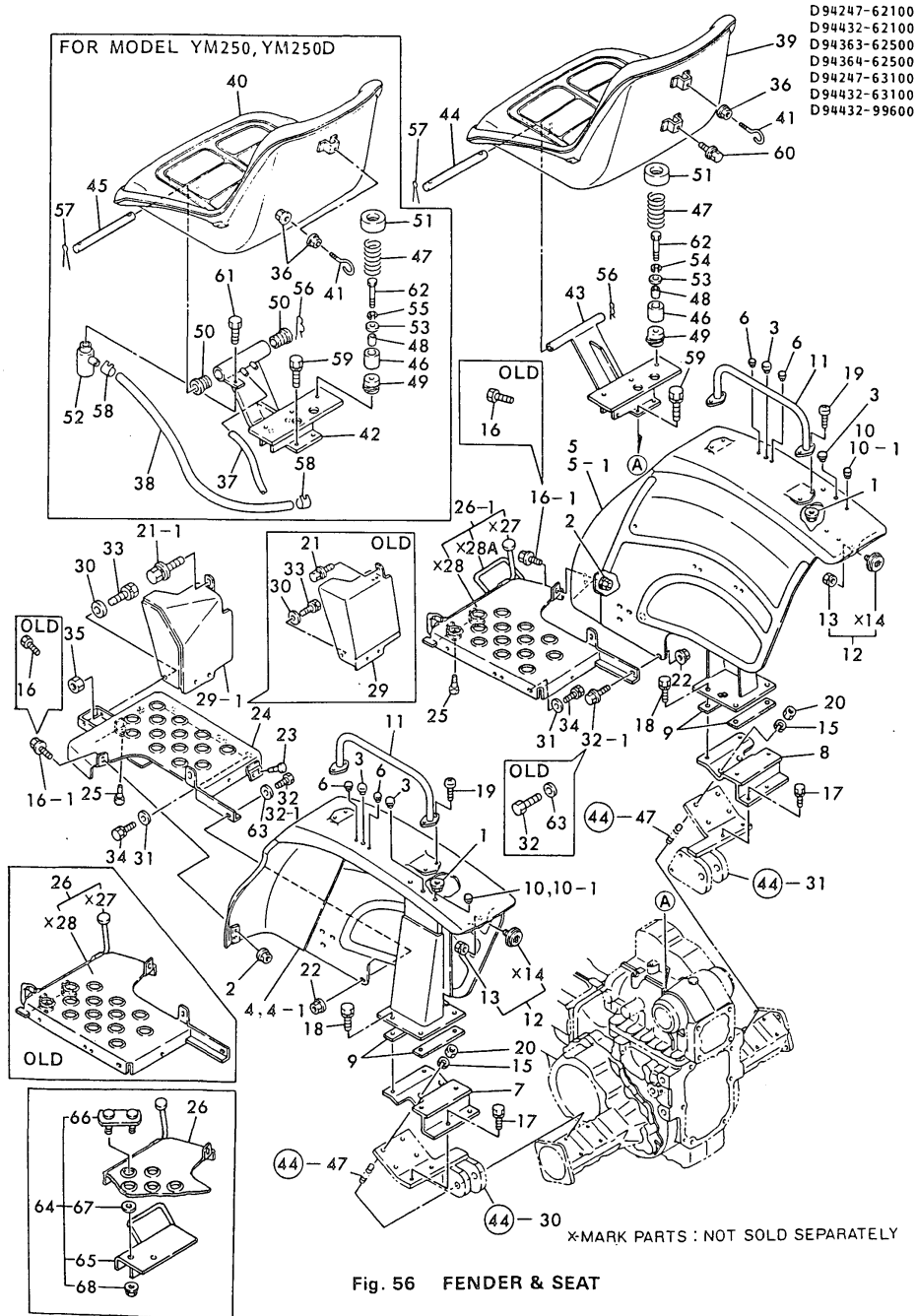


Fig. 56 FENDER & SEAT

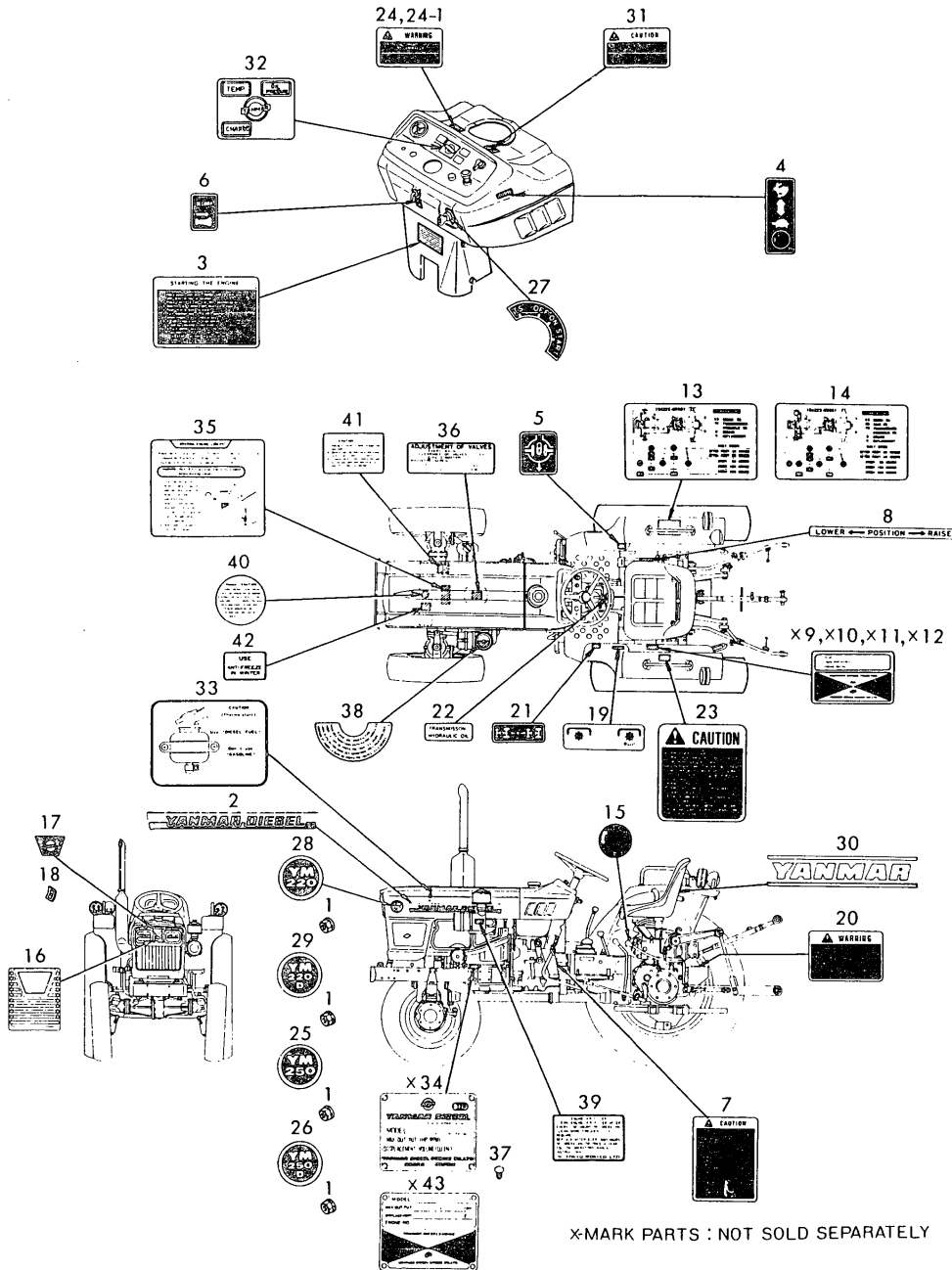
No.	Lev.	Parts No.	Description	Q'ty						I	R
				(A)	(B)	(C)	(D)	(E)	(F)		
39	1	194170-63110-X	SEAT, OPERATOR	1	1						
40	1	194440-63110	SEAT ASSY, OPERATOR				1	1			
41	1	194275-63120	BOLT, STOP	1	1	1	1	1			
42	1	194247-63210	BRACKET				1	1			
43	1	194432-63210-X	BRACKET, SEAT	1	1						
44	1	194140-63221	PIN, HINGE	1	1						
45	1	194151-63222	PIN, HINGE				1	1			
46	1	194151-63240	RUBBER, CUSHION	2	2	2	2	2			
47	1	194281-63240	SPRING	2	2	2	2	2			
48	1	194151-63250	COLLAR, CUSHION	2	2	2	2	2			
49	1	194322-63250	HOLDER	2	2	2	2	2			
50	1	194197-63270	DAMPER				2	2			
51	1	194322-63280	COVER, SEAT SPRING	2	2	2	2	2			
52	1	194205-63550	BREATHER, AIR				1	1			
53	1	22137-080000	WASHER, 8	2	2	2	2	2			Z
			(C=*1990.02)								
			(D=*1990.02)								
54	1	22217-080000	WASHER, SPRING 8	2	2						
55	1	22217-080000	WASHER, SPRING 8				2	2			
56	1	22360-080000	SNAP PIN 8	1	1	1	1	1			
57	1	22417-200200	PIN, COTTER 2.0X20	1	1	1	1	1			
58	1	23080-012000	CLAMP, 12				2	2			
59	1	26013-080252	BOLT, M8X 25	4	4	4	4	4			
60	1	26014-060202	BOLT, M6X 20	1	1						
61	1	26116-080122	BOLT, M8X 12 PLATED				1	1			
62	1	26116-080602	BOLT, M8X 60 PLATED	2	2	2	2	2			
62-1	1	26116-080552	BOLT, M8X 55 PLATED	2	2	2	2	2			N
			(A=T/# 21223)								
			(B=T/# 40788)								
			(C=T/# 20055)								
			(D=T/# 40001)								
63	1	22137-080000	WASHER, 8	4	4						Z
			(A=*)								
			(B=*)								
64	1	794432-01400	STOPPER ASSY, PEDAL	1	1	1	1	1			W 1
			(A=T/# 21412)								
			(B=T/# 40893)								
			(C=T/# 20055)								
			(D=T/# 40021)								

Fig.57. LABELS

(A)=YM220
(B)=YM220D
(C)=YM250

(D)=YM250D
(E)=
(F)=

Fig. 57 LABEL



x-MARK PARTS : NOT SOLD SEPARATELY

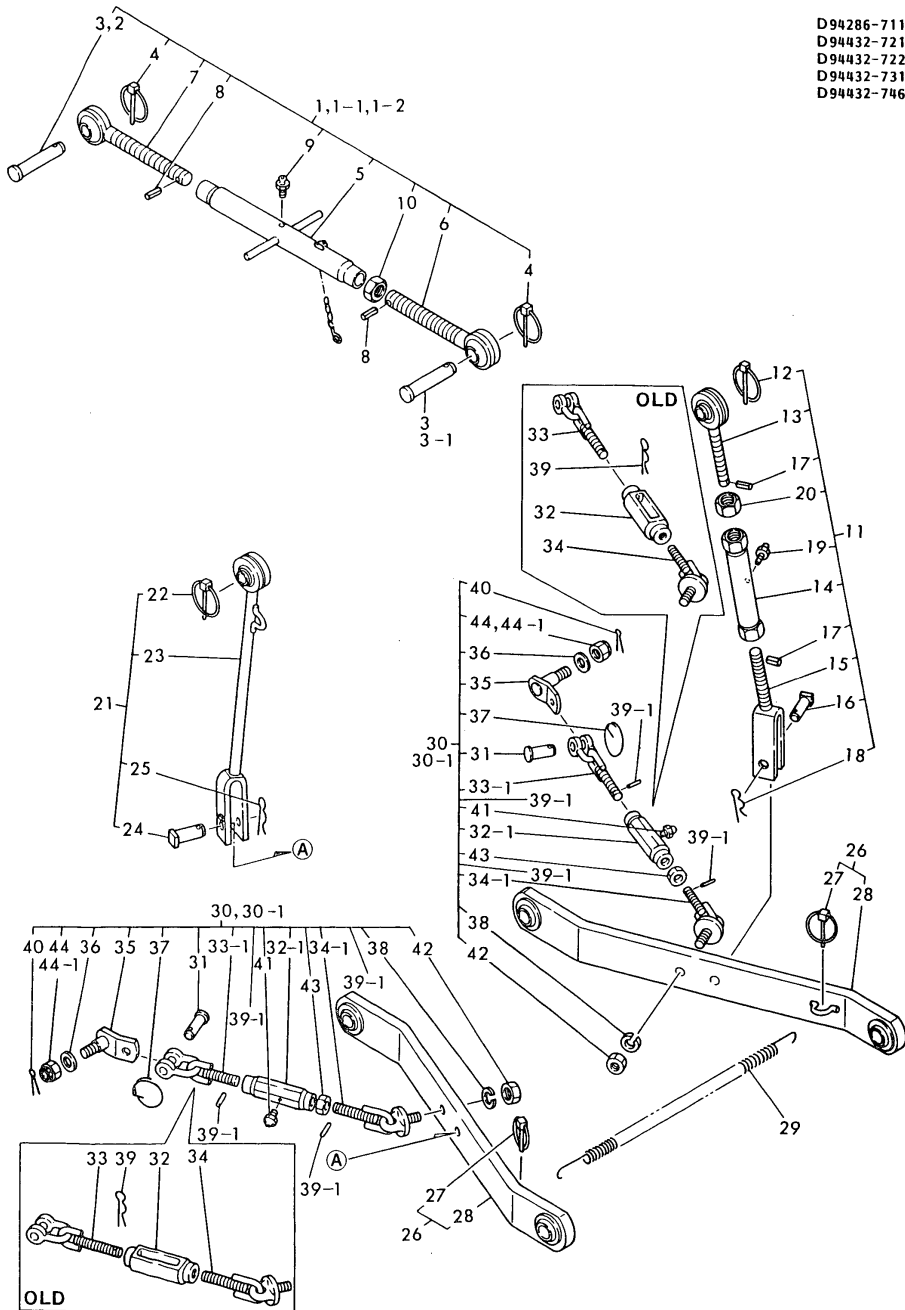
No.	Lev.	Parts No.	Description	Q'ty						I	R
				(A)	(B)	(C)	(D)	(E)	(F)		
1	1	194990-22120	NUT, M5	4	4	4	4				
2	1	194446-64752	LABEL, SIDE	2	2	2	2				
3	1	194446-65352	LABEL, ENG. STARTING	1	1	1	1				
4	1	194240-65432	LABEL, THROTTLE LEVER	1	1	1	1				
5	1	194240-65441	LABEL, DIFF. LOCK	1	1	1	1				
6	1	194370-65451	LABEL, DECOMPRESSION	1	1	1	1				
7	1	194446-65461	LABEL, CLUTCH CAUTION	1	1	1	1				
8	1	194170-65510	LABEL, HYDRAULIC LIFT	1	1	1	1				
13	1	194322-65561	LABEL, LUBRICATION	1		1					
14	1	194323-65561	LABEL, LUBRICATION		1		1				
15	1	194170-65570	LABEL, SLOW RETURN	1	1	1	1				
16	1	194420-65590	EMBLEM, FLAME	1	1	1	1				
17	1	194448-65600	EMBLEM, FRONT	1	1	1	1				
18	1	194200-65610	NUT, FLAT	4	4	4	4				
19	1	194275-65610	LABEL, P.T.O. CLUTCH	1	1	1	1				
20	1	194170-65620	LABEL, WARNING	1	1	1	1				
21	1	194447-65621	LABEL, 4-DRIVE WHEEL		1		1				
22	1	194446-65630	LABEL, GEAR OIL	1	1	1	1				
23	1	194275-65660	LABEL, CAUTION	1	1	1	1				
24	1	194240-65670	LABEL, FUEL INDICAT.	1	1						
24-1	1	194240-65671	LABEL, FUEL INDICAT.	1	1	1	1				N
(A=T/# 20795) (B=T/# 40499)						2					
25	1	194247-65720	LABEL, SIDE MARK								
26	1	194248-65720	LABEL, SIDE MARK				2				
27	1	194310-65720	LABEL, KEY SWITCH	1	1	1	1				
28	1	194363-65720	LABEL, SIDE MARK		2						
29	1	194364-65720	LABEL, SIDE MARK		2						
30	1	194170-65891	LABEL, SEAT	1	1	1	1				
31	1	194446-65681	LABEL, DO NOT TOW	1	1						Z
(A=*) (B=*)											
32	1	194446-65300	LABEL, PILOT LAMP			1	1				
33	1	124764-77980	LABEL, FUEL CAUTION	1	1	1	1				
35	1	121254-07150	LABEL, WATER DRAIN	1	1	1	1				
36	1	124064-07160	LABEL, VALVE ADJUST.	1	1	1	1				
37	1	102210-07990	RIVET	4	4	4	4				
38	1	121454-12480	LABEL, PRE-CLEANER	1	1	1	1				
39	1	121454-12520	LABEL, AIR-CLEANER	1	1	1	1				
40	1	124764-44800	LABEL, RADIATOR	1	1	1	1				
41	1	124764-44810	LABEL, RESERVE TANK	1	1	1	1				
42	1	124764-44920	LABEL, ANTI-FREEZING	1	1	1	1				

Fig.58. THREE-POINT HITCH

(A)=YM220
(B)=YM220D
(C)=YM250

(D)=YM250D
(E)=
(F)=

Fig. 58 THREE-POINT HITCH



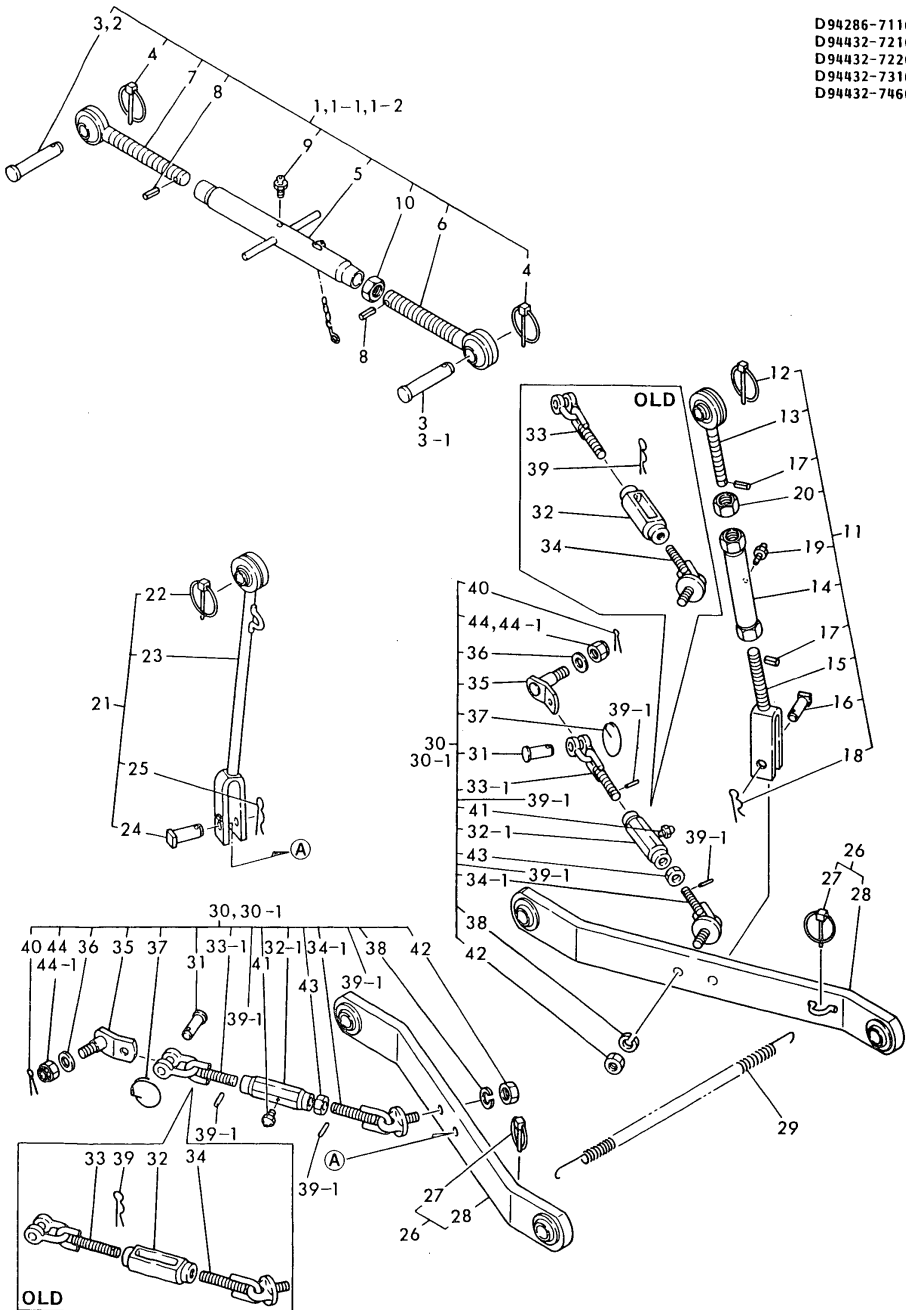
No.	Lev.	Parts No.	Description	Qty						I	R
				(A)	(B)	(C)	(D)	(E)	(F)		
1	1	794286-71100-X	LINK ASSY, TOP	1	1						
1-1	1	794197-71100-X (A=FROM 1ST) (B=FROM 1ST)	LINK ASSY, TOP	1	1						S
1-2	1	794197-71101-X (A=T/# 20621) (B=T/# 40422)	LINK ASSY, TOP	1	1	1	1				N
2	2	195080-15060	PIN, HITCH	1	1	1	1				W
3	2	194150-71230	PIN, LINK	2	2						
3-1	2	194150-71230 (A=*1982.10) (B=*1982.10)	PIN, LINK	1	1	1	1				K
4	2	794130-71410	PIN ASSY, BALL	2	2	2	2				
5	2	194286-71500-X	TURNBUCKLE	1	1	1	1				
6	2	194322-71600	LINK, TOP	1	1	1	1				
7	2	194322-71700	LINK, TOP	1	1	1	1				
8	2	22351-040024	PIN, SPRING 4.0X24	2	2	2	2				
9	2	24761-060000	NIPPLE, GREASE MT6X1	1	1	1	1				
10	2	26756-240002	NUT, LOCK M24	1	1	1	1				
11	1	794432-72100-X	LINK ASSY, LIFT	1	1	1	1				
12	2	794130-71410	PIN ASSY, BALL	1	1	1	1				
13	2	194197-72201-X	BOLT W/BALL, EYE	1	1	1	1				
14	2	194170-72230-X	TURNBUCKLE	1	1	1	1				
15	2	194432-72400-X	YOKE, LIFT LINK	1	1	1	1				
16	2	194145-72550	PIN, LIFT YOKE	1	1	1	1				
17	2	22351-040022	PIN, SPRING 4.0X22	2	2	2	2				
18	2	22360-160000	PIN, SNAP 16	1	1	1	1				
19	2	24761-010000	NIPPLE, GREASE M6F	1	1	1	1				
20	2	26756-200002	NUT, LOCK M20	1	1	1	1				
21	1	794432-72200-X	LINK ASSY, LIFT	1	1	1	1				
22	2	794130-71410	PIN ASSY, BALL	1	1	1	1				
23	2	194432-72300-X	LINK ASSY, LIFT	1	1	1	1				
24	2	194145-72550	PIN, LIFT YOKE	1	1	1	1				
25	2	22360-160000	PIN, SNAP 16	1	1	1	1				
26	1	794432-73100-X	LINK ASSY, LOWER	2	2	2	2				
27	2	794130-71410	PIN ASSY, BALL	2	2	2	2				
28	2	194432-73410-X	LINK ASSY, LOWER	2	2	2	2				
29	1	194145-73150	SPRING, LOCK	1	1	1	1				
30	1	794432-74600-X	CHAIN ASSY, CHECK	2	2						
30-1	1	794432-74601 (A=T/# 21133) (B=T/# 40721)	CHAIN ASSY, CHECK	2	2	2	2				S
31	2	194080-74631	PIN, SHACKLE SA10	2	2	2	2				
32	2	194150-74670	TURNBUCKLE	2	2						
32-1	2	194286-74680-U	TURNBUCKLE, CHAIN	2	2	2	2				S
33	2	194430-74710 (A=T/# 21133) (B=T/# 40721)	CHAIN(L) ASSY, CHECK	2	2						
33-1	2	194432-74720	CHAIN, CHECK	2	2	2	2				S
34	2	194420-74800 (A=T/# 21133) (B=T/# 40721)	CHAIN(R) ASSY, CHECK	2	2						
34-1	2	194292-74800-U	CHAIN ASSY, CHECK R	2	2	2	2				S
35	2	194150-74910 (A=T/# 21133) (B=T/# 40721)	HINGE, CHECK CHAIN	2	2	2	2				
36	2	194150-74920	WASHER	2	2	2	2				

Fig.58. THREE-POINT HITCH

(A)=YM220
(B)=YM220D
(C)=YM250

(D)=YM250D
(E)=
(F)=

Fig. 58 THREE-POINT HITCH



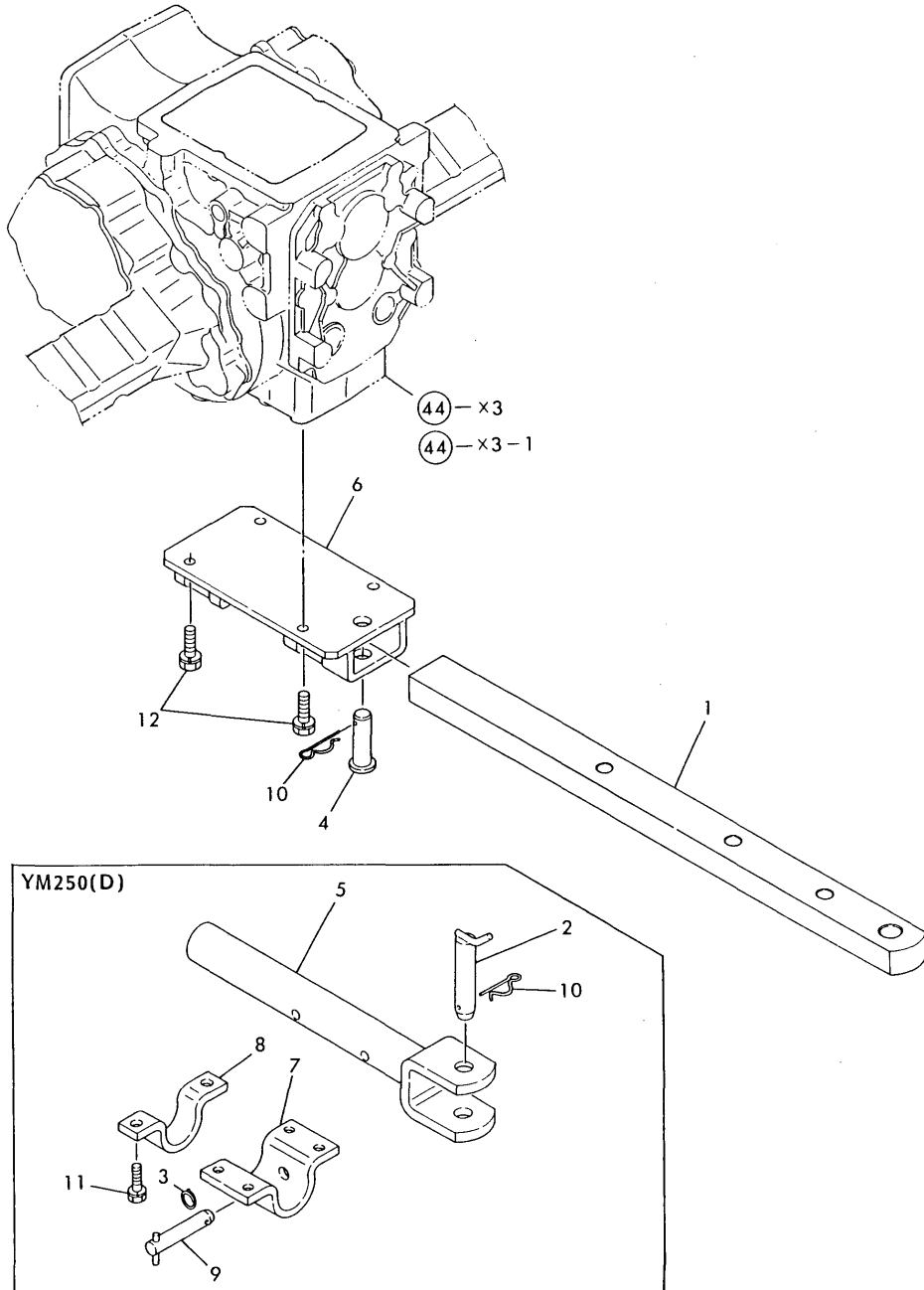
No.	Lev.	Parts No.	Description	Qty						I	R
				(A)	(B)	(C)	(D)	(E)	(F)		
37	2	194145-75250	RING, STOPPER	2	2	2	2				
38	2	22217-140000	WASHER, SPRING 14	2	2	2	2				
39	2	22360-200000	PIN, SNAP 20	2	2						
39-1	2	22351-040014 (A=T/# 21133) (B=T/# 40721)	PIN, SPRING 4.0X14	4	4	4	4				N
40	2	22417-300350	PIN, COTTER 3.0X35	2	2	2	2				
41	2	24761-010000 (A=T/# 21133) (B=T/# 40721)	NIPPLE, GREASE M6F	2	2	2	2				W
42	2	26716-140002	NUT, M14	2	2	2	2				
43	2	26756-140002 (A=T/# 21133) (B=T/# 40721)	NUT, LOCK M14	2	2	2	2				W
44	2	26817-160002	NUT, CASTLE M16	2	2						
44-1	2	26837-160002 (A=T/# 20581) (B=T/# 40368)	NUT, CASTLE M16	2	2	2	2				N

Fig.59. DRAWBAR

(A)=YM220
(B)=YM220D
(C)=YM250

(D)=YM250D
(E)=
(F)=

Fig. 59 DRAWBER



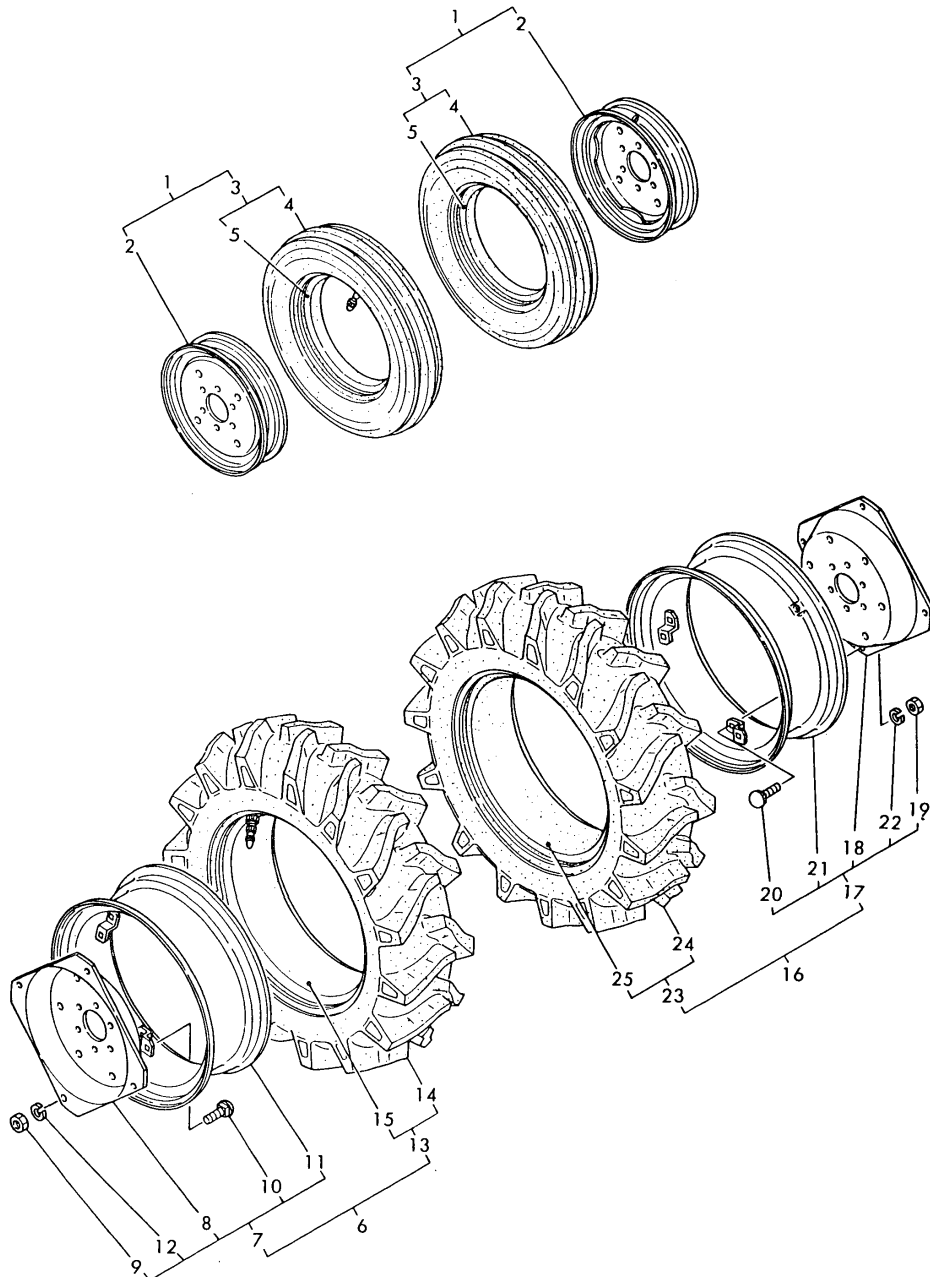
No.	Lev.	Parts No.	Description	Q'ty						I	R
				(A)	(B)	(C)	(D)	(E)	(F)		
1	1	194197-75210-X	HITCH, DRAWBAR	1	1						
2	1	194145-75240	PIN, HITCH 22			1	1				
3	1	194145-75250	RING, STOPPER			1	1				
4	1	194361-75430	PIN, HITCH	1	1						
5	1	194420-75710	HITCH, DRAWBAR			1	1				
6	1	194361-75720-X	BRACKET, DRAWBER	1	1						
7	1	194420-75720	BRACKET, HITCH			1	1				
8	1	194420-75730	BRACKET, HITCH			1	1				
9	1	194150-75740	PIN, HITCH 16			1	1				
10	1	22360-190000	PIN, SNAP 19	1	1	1	1				
11	1	26013-120252	BOLT, M12X 25			6	6				
12	1	26013-120302	BOLT, M12X 30	4	4						

Fig.60. AG TIRES (FRONT & REAR)

(A)=YM220
(B)=YM220D
(C)=YM250

(D)=YM250D
(E)=
(F)=

Fig. 60 AG TIRES (FRONT & REAR)
(For Model YM220, YM250)



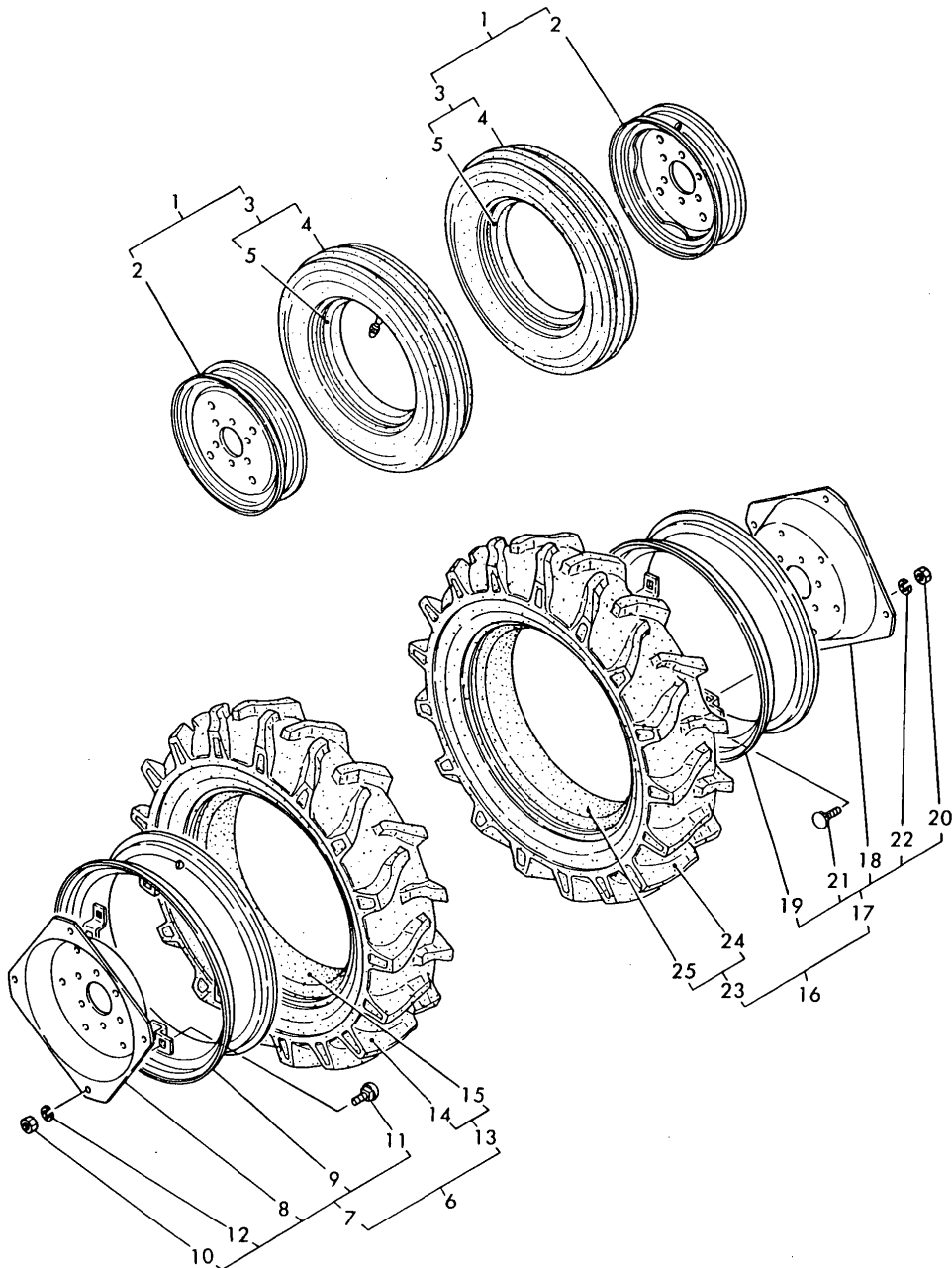
No.	Lev.	Parts No.	Description	Qty						I	R
				(A)	(B)	(C)	(D)	(E)	(F)		
1	1	194432-12900-Q	TIRE ASSY 5 X15	2		2					
2	2	194275-12910-Q	WHEEL DC3.00-15	2		2					
3	2	794081-12950	TIRE W/TUBE 5.00-15	2		2					
4	3	194081-12960	TIRE 5 X15	2		2					
5	3	194081-12970	TUBE, 5.00-15	2		2					
6	1	194432-34700-Q	TIRE ASSY 11.2X24	1		1					
7	2	794130-34880	WHEEL DCW9X24W ASSY	1		1					
8	3	194130-34811	DISC	1		1					
9	3	194130-34840	NUT M16	4		4					
9-1	3	194555-34210	NUT, M16	4		4					N
		(A=T/# 21206)	(C=T/# 20055)								
10	3	194130-34850	BOLT M16X 35	4		4					
10-1	3	194555-34850	BOLT M16X 35	4		4					N
		(A=T/# 21206)	(C=T/# 20055)								
11	3	194130-34891	RIM W9X24	1		1					
12	3	22217-160000	WASHER, SPRING 16	4		4					
12-1	3	194555-34190	WASHER, SPRING 16	4		4					N
		(A=T/# 21206)	(C=T/# 20055)								
13	2	194432-34900	TIRE W/TUBE 11.2X24	1		1					
14	3	194432-34910	TIRE 11.2-24	1		1					
15	3	194432-34920	TUBE	1		1					
16	1	194432-34800-Q	TIRE ASSY 11.2X24	1		1					
17	2	794130-34880	WHEEL DCW9X24W ASSY	1		1					
18	3	194130-34811	DISC	1		1					
19	3	194130-34840	NUT M16	4		4					
19-1	3	194555-34210	NUT, M16	4		4					N
		(A=T/# 21206)	(C=T/# 20055)								
20	3	194130-34850	BOLT M16X 35	4		4					
20-1	3	194555-34850	BOLT M16X 35	4		4					N
		(A=T/# 21206)	(C=T/# 20055)								
21	3	194130-34891	RIM W9X24	1		1					
22	3	22217-160000	WASHER, SPRING 16	4		4					
22-1	3	194555-34190	WASHER, SPRING 16	4		4					N
		(A=T/# 21206)	(C=T/# 20055)								
23	2	194432-34900	TIRE W/TUBE 11.2X24	1		1					
24	3	194432-34910	TIRE 11.2-24	1		1					
25	3	194432-34920	TUBE	1		1					

Fig.61. AG TIRES (FRONT & REAR)

(A)=YM220
(B)=YM220D
(C)=YM250

(D)=YM250D
(E)=
(F)=

Fig. 61 AG TIRES (FRONT & REAR)(For Model YM220)



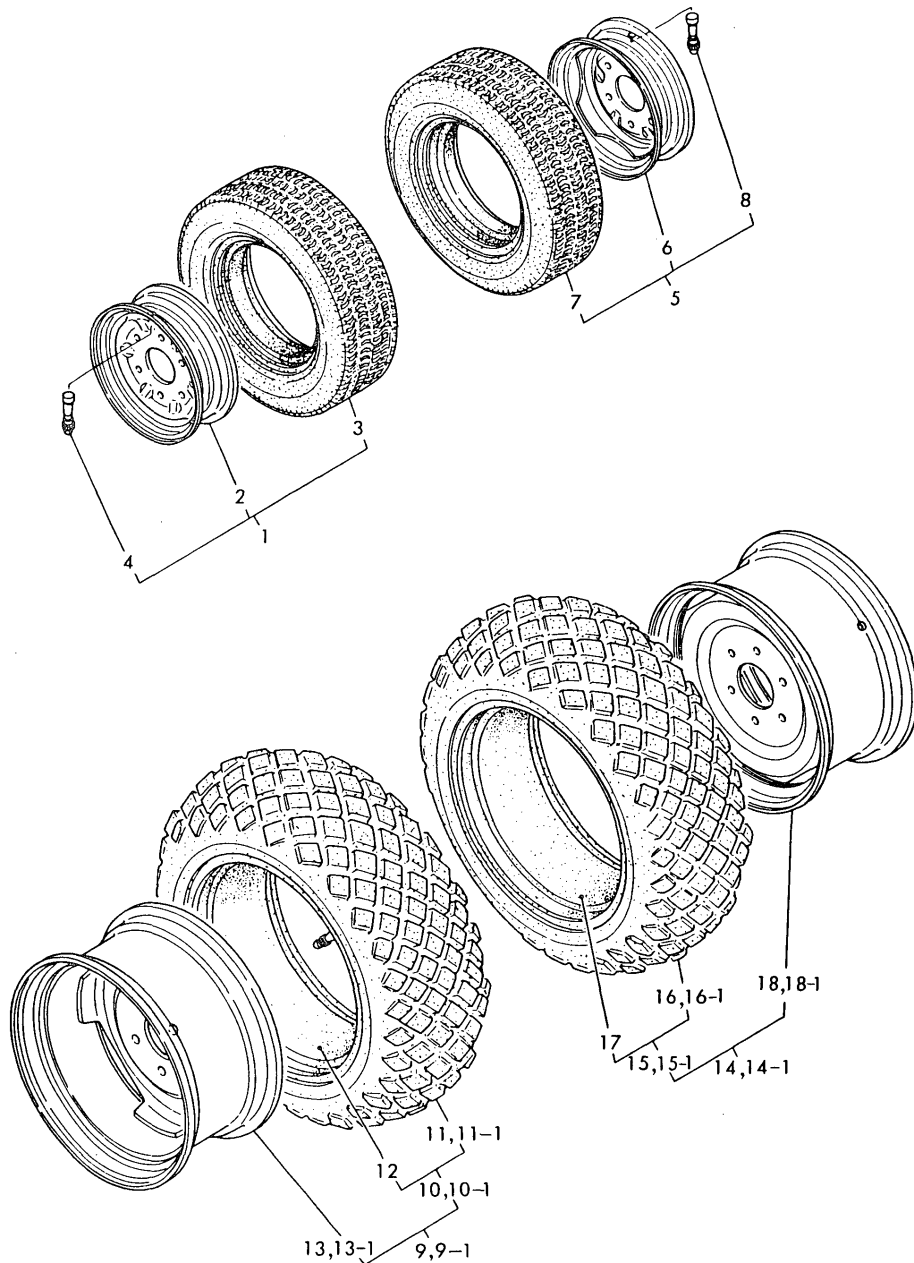
No.	Lev.	Parts No.	Description	Qty						I	R
				(A)	(B)	(C)	(D)	(E)	(F)		
1	1	794242-12900	TIRE ASSY, FRONT	2							
2	2	194275-12910-Q	WHEEL DC3.00-15	2							
3	2	794080-12950	TIRE W/TUBEAG4.00-15	2							
4	3	194080-12960	TIRE, 4.00-15 4 FSR	2							
5	3	194080-12970	TUBE	2							
6	1	194433-34700-Q	TIRE ASSY 9.5X24	1							
7	2	794130-34800	WHEEL W 7X 24W	1							
8	3	194130-34811	DISC	1							
9	3	194130-34821	RIM W7X24	1							
10	3	194130-34840	NUT M16	4							
10-1	3	194555-34210	NUT, M16	4							N
(A=T/# 21206)											
11	3	194130-34850	BOLT M16X 35	4							
11-1	3	194555-34850	BOLT M16X 35	4							N
(A=T/# 21206)											
12	3	22217-160000	WASHER, SPRING 16	4							
12-1	3	194555-34190	WASHER, SPRING 16	4							N
(A=T/# 21206)											
13	2	194433-34900	TIRE W/TUBE 9.5X24	1							
14	3	194433-34910	TIRE, 9.5-24 4 FSLF	1							
15	3	194433-34920	TUBE	1							
16	1	194433-34800-Q	TIRE ASSY 9.5X24	1							
17	2	794130-34800	WHEEL W 7X 24W	1							
18	3	194130-34811	DISC	1							
19	3	194130-34821	RIM W7X24	1							
20	3	194130-34840	NUT M16	4							
20-1	3	194555-34210	NUT, M16	4							N
(A=T/# 21206)											
21	3	194130-34850	BOLT M16X 35	4							
21-1	3	194555-34850	BOLT M16X 35	4							N
(A=T/# 21206)											
22	3	22217-160000	WASHER, SPRING 16	4							
22-1	3	194555-34190	WASHER, SPRING 16	4							N
(A=T/# 21206)											
23	2	194433-34900	TIRE W/TUBE 9.5X24	1							
24	3	194433-34910	TIRE, 9.5-24 4 FSLF	1							
25	3	194433-34920	TUBE	1							

Fig.62. TURF TIRES (FRONT & REAR)

(A)=YM220
(B)=YM220D
(C)=YM250

(D)=YM250D
(E)=
(F)=

Fig. 62 TURF TIRES (FRONT & REAR)
(For Model YM220D)



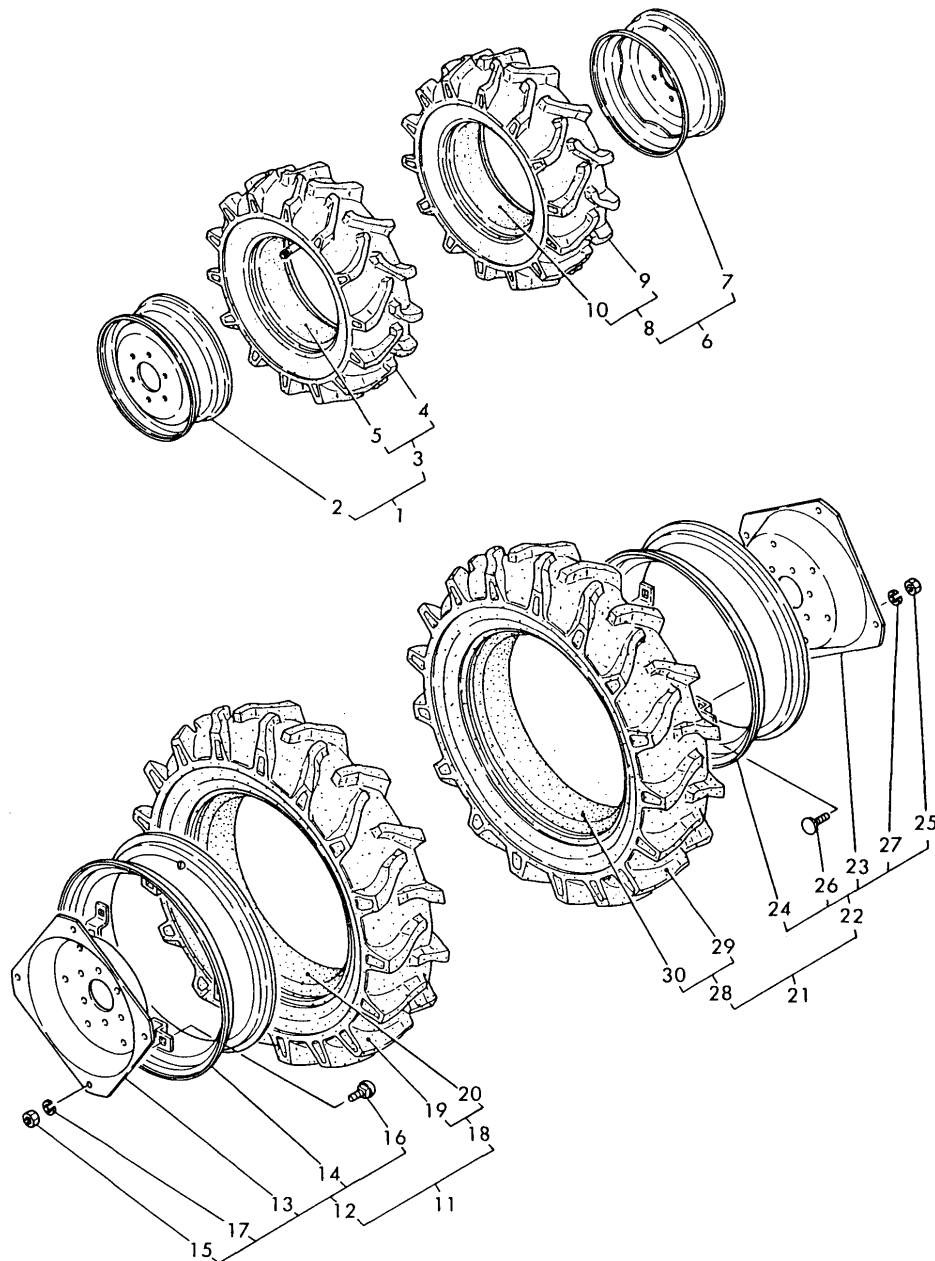
No.	Lev.	Parts No.	Description	Q'ty						I	R
				(A)	(B)	(C)	(D)	(E)	(F)		
1	1	794361-14701-Q	TIRE(L) ASSY, FRONT		1						
2	2	194361-12811	WHEEL ASSY,7JAX14WDC		1						
3	2	194361-12850	TIRE, 25X8.50-14		1						
4	2	194136-12880	VALVE, TR413		1						
5	1	794361-14801-Q	TIRE(R) ASSY, FRONT		1						
6	2	194361-12811	WHEEL ASSY,7JAX14WDC		1						
7	2	194361-12850	TIRE, 25X8.50-14		1						
8	2	194136-12880	VALVE, TR413		1						
9	1	794136-34500	TIRE ASSY 13.6X16		1						
9-1	1	794136-34501-Q	TIRE ASSY 13.6X16 (B=*1982.08)		1						N
10	2	194240-34710	TIRE W/TUBE 13.6X16		1						
10-1	2	194136-34710	TIRE, REAR 13.6-16 (B=*1982.08)		1						N
11	3	194240-34720	TIRE 13.6X 16		1						
11-1	3	194136-34720	TIRE, REAR 13.6-16 (B=*1982.08)		1						N
12	3	194240-34730	TUBE, 13.6-16		1						
13	2	194136-34750-Q	WHEEL W12X 16W		1						
13-1	2	194136-34760-Q	WHEEL W11X 16W (B=*1982.08)		1						N
13A	2	YT1432-34810	WHEEL		1						1
14	1	794136-34600	TIRE ASSY 13.6X16		1						
14-1	1	794136-34601-Q	TIRE (R) ASSY, TURF (B=*1982.08)		1						N
15	2	194240-34710	TIRE W/TUBE 13.6X16		1						
15-1	2	194136-34710	TIRE, REAR 13.6-16 (B=*1982.08)		1						N
16	3	194240-34720	TIRE 13.6X 16		1						
16-1	3	194136-34720	TIRE, REAR 13.6-16 (B=*1982.08)		1						N
17	3	194240-34730	TUBE, 13.6-16		1						
18	2	194136-34750-Q	WHEEL W12X 16W		1						
18-1	2	194136-34760-Q	WHEEL W11X 16W (B=*1982.08)		1						N
18A	2	YT1432-34810	WHEEL		1						1

Fig.63. AG TIRES (FRONT & REAR)

(A)=YM220
(B)=YM220D
(C)=YM250

(D)=YM250D
(E)=
(F)=

Fig. 63 AG TIRES (FRONT & REAR)
[For Model YM220D]



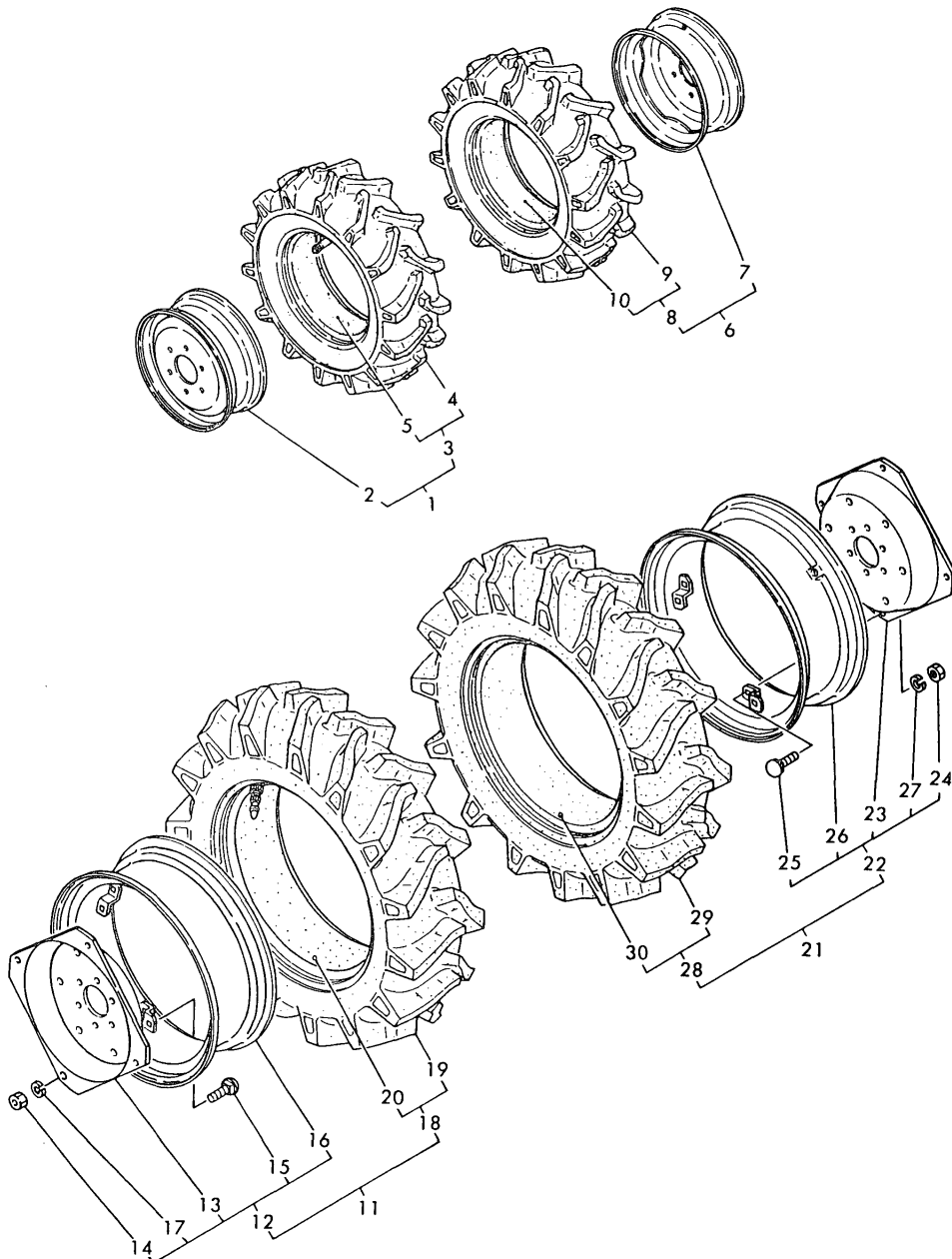
No.	Lev.	Parts No.	Description	(A)	(B)	Qty	(C)	(D)	(E)	(F)	I	R
1	1	794166-14700	TIRE(L) ASSY, FRONT		1							
1-1	1	198341-14750 (B=T/# 40863)	TIRE(L) ASSY, FRONT		1							S
2	2	194311-14700	WHEEL DC5JAX14		1							
2-1	2	194362-14700 (B=T/# 40863)	WHEEL ASSY,5JAX14WDC		1							S
3	2	194166-14800	TIRE W/TUBE 6-14		1							
4	3	194166-14810	TIRE, 6-14 4 FSLM		1							
5	3	194166-14820	TUBE, 6-14		1							
6	1	794166-14800	TIRE(R) ASSY, FRONT		1							
6-1	1	198341-14850 (B=T/# 40863)	TIRE(R) ASSY, FRONT		1							S
7	2	194311-14700	WHEEL DC5JAX14		1							
7-1	2	194362-14700 (B=T/# 40863)	WHEEL ASSY,5JAX14WDC		1							S
8	2	194166-14800	TIRE W/TUBE 6-14		1							
9	3	194166-14810	TIRE, 6-14 4 FSLM		1							
10	3	194166-14820	TUBE, 6-14		1							
11	1	194433-34700-Q	TIRE ASSY 9.5X24		1							
12	2	794130-34800	WHEEL W 7X 24W		1							
13	3	194130-34811	DISC		1							
14	3	194130-34821	RIM W7X24		1							
15	3	194130-34840	NUT M16		4							
15-1	3	194555-34210 (B=T/# 40770)	NUT, M16		4							N
16	3	194130-34850	BOLT M16X 35		4							
16-1	3	194555-34850 (B=T/# 40770)	BOLT M16X 35		4							N
17	3	22217-160000	WASHER, SPRING 16		4							
17-1	3	194555-34190 (B=T/# 40770)	WASHER, SPRING 16		4							N
18	2	194433-34900	TIRE W/TUBE 9.5X24		1							
19	3	194433-34910	TIRE, 9.5-24 4 FSLF		1							
20	3	194433-34920	TUBE		1							
21	1	194433-34800-Q	TIRE ASSY 9.5X24		1							
22	2	794130-34800	WHEEL W 7X 24W		1							
23	3	194130-34811	DISC		1							
24	3	194130-34821	RIM W7X24		1							
25	3	194130-34840	NUT M16		4							
25-1	3	194555-34210 (B=T/# 40770)	NUT, M16		4							N
26	3	194130-34850	BOLT M16X 35		4							
26-1	3	194555-34850 (B=T/# 40770)	BOLT M16X 35		4							N
27	3	22217-160000	WASHER, SPRING 16		4							
27-1	3	194555-34190 (B=T/# 40770)	WASHER, SPRING 16		4							N
28	2	194433-34900	TIRE W/TUBE 9.5X24		1							
29	3	194433-34910	TIRE, 9.5-24 4 FSLF		1							
30	3	194433-34920	TUBE		1							

Fig.64. AG TIRES (FRONT & REAR)

(A)=YM220
(B)=YM220D
(C)=YM250

(D)=YM250D
(E)=
(F)=

Fig. 64 AG TIRES (FRONT & REAR)
(For Model YM220D, YM250D)



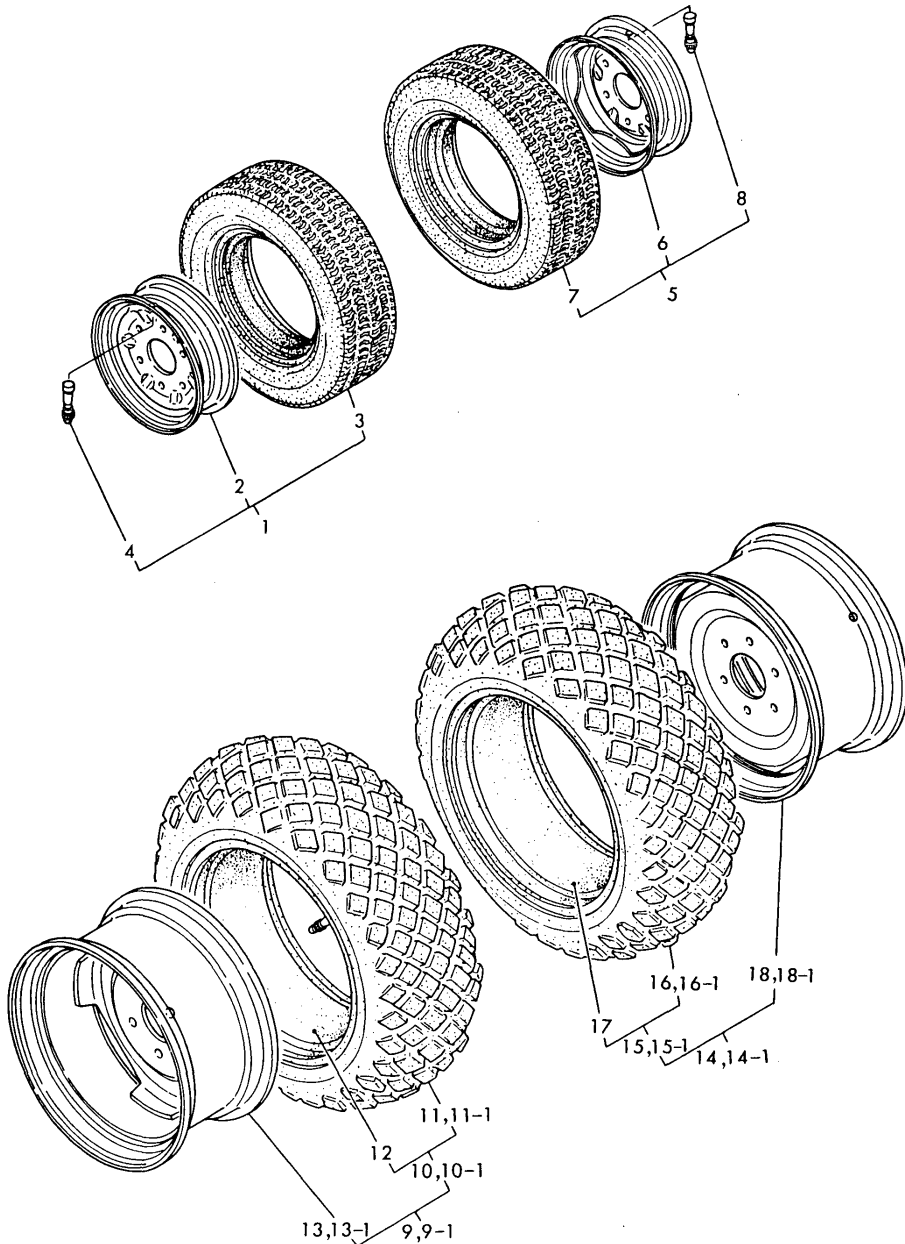
No.	Lev.	Parts No.	Description	Q'ty						I	R
				(A)	(B)	(C)	(D)	(E)	(F)		
1	1	794171-14700	TIRE(L) ASSY, FRONT		1		1				
1-1	1	198351-14750	TIRE KIT, FRONT L		1		1				S
(B=T/# 40863) (D=T/# 40018)											
2	2	194311-14700	WHEEL DC5JAX14		1		1				
2-1	2	198351-14700	WHEEL ASSY,5JAX14WDC		1		1				S
(B=T/# 40863) (D=T/# 40018)											
3	2	194171-14800	TIRE W/TUBE 7 X14		1		1				
4	3	194171-14810	TIRE, 7-14 4 FSLM		1		1				
5	3	194171-14820	TUBE, 7-14		1		1				
6	1	794171-14800	TIRE(R) ASSY, FRONT		1		1				
6-1	1	198351-14850	TIRE KIT, FRONT R		1		1				S
(B=T/# 40863) (D=T/# 40018)											
7	2	194311-14700	WHEEL DC5JAX14		1		1				
7-1	2	198351-14700	WHEEL ASSY,5JAX14WDC		1		1				S
(B=T/# 40863) (D=T/# 40018)											
8	2	194171-14800	TIRE W/TUBE 7 X14		1		1				
9	3	194171-14810	TIRE, 7-14 4 FSLM		1		1				
10	3	194171-14820	TUBE, 7-14		1		1				
11	1	194432-34700-Q	TIRE ASSY 11.2X24		1		1				
12	2	794130-34880	WHEEL DCW9X24W ASSY		1		1				
13	3	194130-34811	DISC		1		1				
14	3	194130-34840	NUT M16		4		4				
14-1	3	194555-34210	NUT, M16		4		4				N
(B=T/# 40770) (D=T/# 40001)											
15	3	194130-34850	BOLT M16X 35		4		4				
15-1	3	194555-34850	BOLT M16X 35		4		4				N
(B=T/# 40770) (D=T/# 40001)											
16	3	194130-34891	RIM W9X24		1		1				
17	3	22217-160000	WASHER, SPRING 16		4		4				
17-1	3	194555-34190	WASHER, SPRING 16		4		4				N
(B=T/# 40770) (D=T/# 40001)											
18	2	194432-34900	TIRE W/TUBE 11.2X24		1		1				
19	3	194432-34910	TIRE 11.2-24		1		1				
20	3	194432-34920	TUBE		1		1				
21	1	194432-34800-Q	TIRE ASSY 11.2X24		1		1				
22	2	794130-34880	WHEEL DCW9X24W ASSY		1		1				
23	3	194130-34811	DISC		1		1				
24	3	194130-34840	NUT M16		4		4				
24-1	3	194555-34210	NUT, M16		4		4				N
(B=T/# 40770) (D=T/# 40001)											
25	3	194130-34850	BOLT M16X 35		4		4				
25-1	3	194555-34850	BOLT M16X 35		4		4				N
(B=T/# 40770) (D=T/# 40001)											
26	3	194130-34891	RIM W9X24		1		1				
27	3	22217-160000	WASHER, SPRING 16		4		4				
27-1	3	194555-34190	WASHER, SPRING 16		4		4				N
(B=T/# 40770) (D=T/# 40001)											
28	2	194432-34900	TIRE W/TUBE 11.2X24		1		1				
29	3	194432-34910	TIRE 11.2-24		1		1				
30	3	194432-34920	TUBE		1		1				

Fig.65. TURF TIRES (FRONT & REAR)

(A)=YM220
(B)=YM220D
(C)=YM250

(D)=YM250D
(E)=
(F)=

Fig. 65 TURF TIRES (FRONT & REAR)
(For Model YM220D)



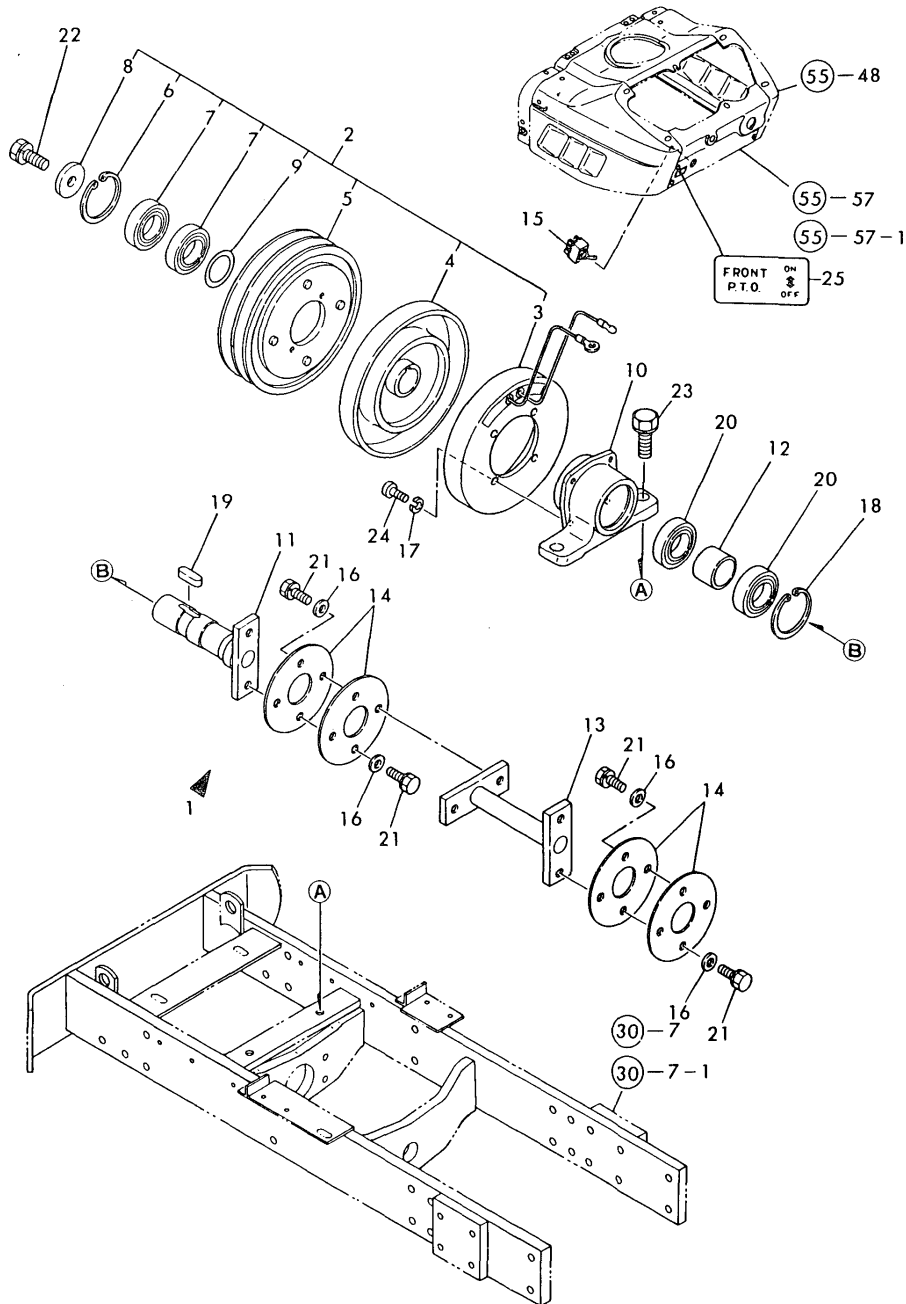
No.	Lev.	Parts No.	Description	Qty						I	R
				(A)	(B)	(C)	(D)	(E)	(F)		
1	1	794361-14701-Q	TIRE(L) ASSY, FRONT		1						
2	2	194361-12811	WHEEL ASSY,7JAX14WDC		1						
3	2	194361-12850	TIRE, 25X8.50-14		1						
4	2	194136-12880	VALVE, TR413		1						
5	1	794361-14801-Q	TIRE(R) ASSY, FRONT		1						
6	2	194361-12811	WHEEL ASSY,7JAX14WDC		1						
7	2	194361-12850	TIRE, 25X8.50-14		1						
8	2	194136-12880	VALVE, TR413		1						
9	1	794136-34500	TIRE ASSY 13.6X16		1						
9-1	1	794136-34501-Q (B=*1982.08)	TIRE ASSY 13.6X16		1						N
10	2	194240-34710	TIRE W/TUBE13.6X16		1						
10-1	2	194136-34710 (B=*1982.08)	TIRE, REAR 13.6-16		1						N
11	3	194240-34720	TIRE 13.6X 16		1						
11-1	3	194136-34720 (B=*1982.08)	TIRE, REAR 13.6-16		1						N
12	3	194240-34730	TUBE, 13.6-16		1						
13	2	194136-34750-Q	WHEEL W12X 16W		1						
13-1	2	194136-34760-Q (B=*1982.08)	WHEEL W11X 16W		1						N
14	1	794136-34600	TIRE ASSY 13.6X16		1						
14-1	1	794136-34601-Q (B=*1982.08)	TIRE (R) ASSY, TURF		1						N
15	2	194240-34710	TIRE W/TUBE13.6X16		1						
15-1	2	194136-34710 (B=*1982.08)	TIRE, REAR 13.6-16		1						N
16	3	194240-34720	TIRE 13.6X 16		1						
16-1	3	194136-34720 (B=*1982.08)	TIRE, REAR 13.6-16		1						N
17	3	194240-34730	TUBE, 13.6-16		1						
18	2	194136-34750-Q	WHEEL W12X 16W		1						
18-1	2	194136-34760-Q (B=*1982.08)	WHEEL W11X 16W		1						N

Fig.66. FRONT POWER TAKE OFF

(A)=YM220
(B)=YM220D
(C)=YM250

(D)=YM250D
(E)=
(F)=

Fig. 66 FRONT POWER TAKE OFF (Optional Parts)



No.	Lev.	Parts No.	Description	Qty						I	R
				(A)	(B)	(C)	(D)	(E)	(F)		
1	1	794446-83100-X	P.T.O. KIT, FRONT	1	1	1	1				
2	2	194446-83110-X	CLUTCH ASSY, MAGNET.	1	1	1	1				
3	3	194446-83120	COIL, FIELD	1	1	1	1				
4	3	194446-83130	ROTOR	1	1	1	1				
5	3	194446-83140	ARMATURE	1	1	1	1				
6	3	194446-83150	CIRCLIP	1	1	1	1				
7	3	194446-83160	BALL BEARING	2	2	2	2				
8	3	194446-83170	WASHER	1	1	1	1				
9	3	194446-83180	SHIM	3	3	3	3				
10	2	194446-83210-X	CASE, BEARING	1	1	1	1				
11	2	194446-83220-X	SHAFT, P.T.O	1	1	1	1				
12	2	194446-83240	SPACER	1	1	1	1				
13	2	194446-83250-X	SHAFT	1	1	1	1				
14	2	194446-83260	DISC, FRONT P.T.O.	4	4	4	4				
15	2	194446-83310	SWITCH, FRONT P.T.O.	1	1	1	1				
16	2	22117-100000	WASHER, 10	8	8	8	8				
17	2	22217-060000	WASHER, SPRING 6	4	4	4	4				
18	2	22262-000550	RING, R-55	1	1	1	1				
19	2	22512-070280	KEY, 7X 28	1	1	1	1				
20	2	24104-060064	BEARING, BALL 6006UU	2	2	2	2				
21	2	26013-100202	BOLT, M10X 20	8	8	8	8				
22	2	26013-120302	BOLT, M12X 30	1	1	1	1				
23	2	26013-140302	BOLT, M14X 30	2	2	2	2				
24	2	26557-060162	SCREW M 6X 16	4	4	4	4				
25	2	194446-65731	LABEL, FRONT P.T.O	1	1	1	1				

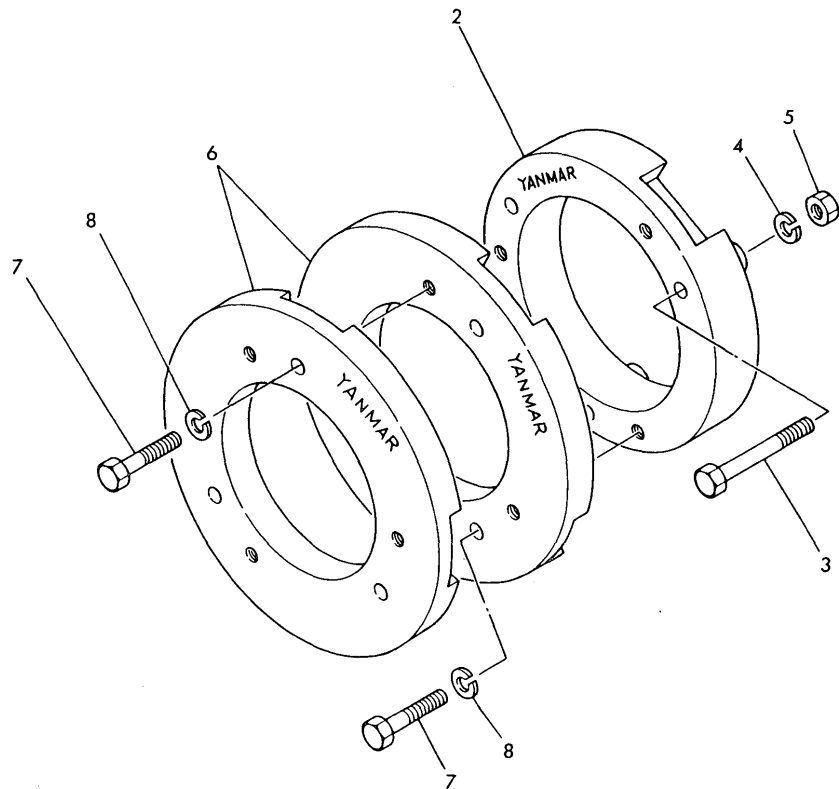
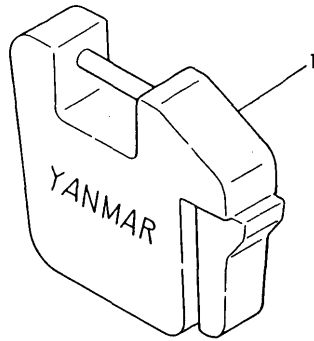
Fig.67. WEIGHT(FRONT & REAR WHEEL)

(A)=YM220
(B)=YM220D
(C)=YM250

(D)=YM250D
(E)=
(F)=

Fig. 67 FRONT WEIGHT & REAR WHEEL WEIGHT

[Optional Parts]



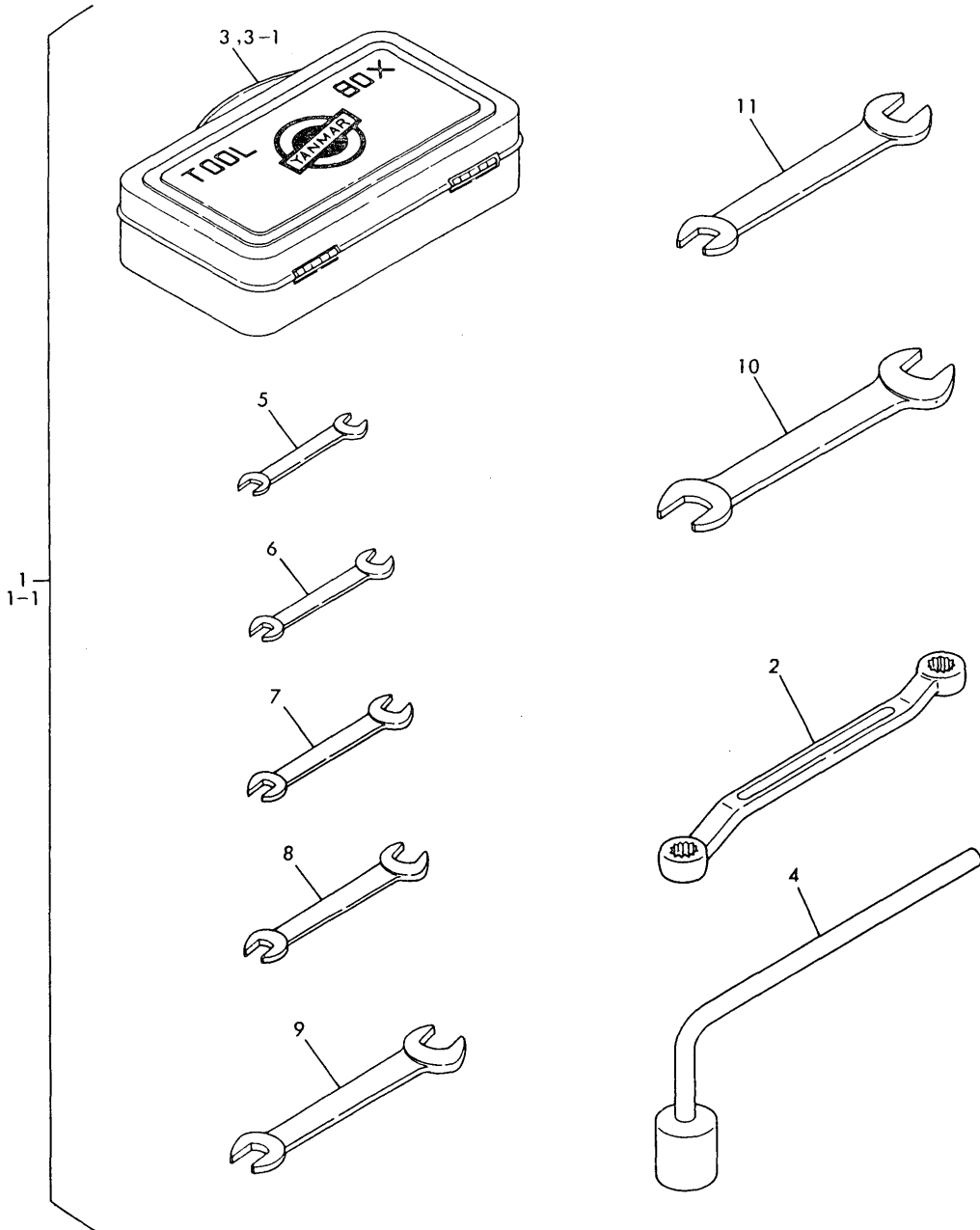
No.	Lev.	Parts No.	Description	Q'ty						I	R
				(A)	(B)	(C)	(D)	(E)	(F)		
1	1	194080-81111	WEIGHT 20, FRONT	5	5	5	5				
2	1	194080-81230	WEIGHT, WHEEL 20KG	2	2	2	2				
3	1	26116-161102	BOLT, M16X110 PLATED	6	6	6	6				
4	1	22217-160000	WASHER, SPRING 16	6	6	6	6				
5	1	26716-160002	NUT, M16	6	6	6	6				
6	1	194080-81212	WEIGHT, WHEEL 25KG	4	4	4	4				
7	1	26116-160602	BOLT, M16X 60 PLATED	12	12	12	12				
8	1	22217-160000	WASHER, SPRING 16	12	12	12	12				

Fig.68. TOOLS

(A)=YM220
(B)=YM220D
(C)=YM250

(D)=YM250D
(E)=
(F)=

Fig. 68 TOOLS



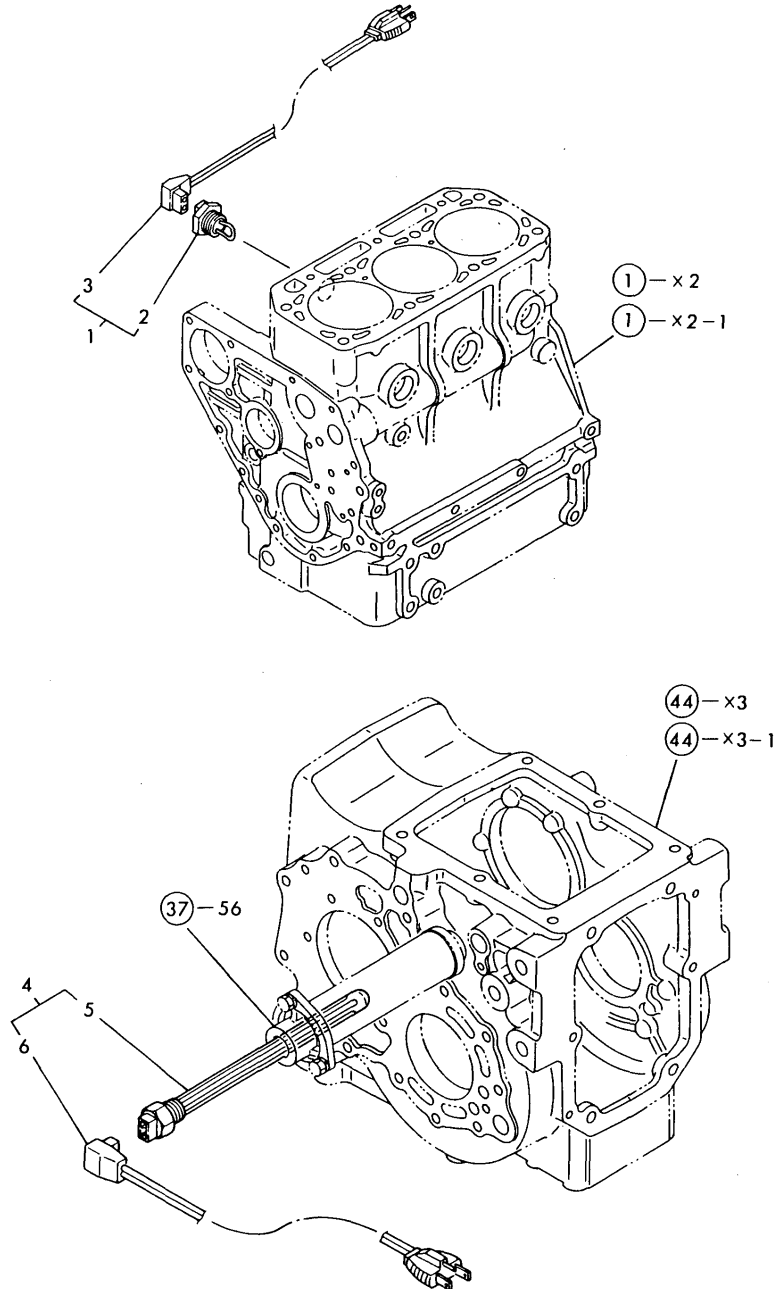
No.	Lev.	Parts No.	Description	Q'ty						I	R
				(A)	(B)	(C)	(D)	(E)	(F)		
1	1	794322-82110	TOOL ASSY	1	1						
1-1	1	794322-82111	TOOL ASSY	1	1	1	1				N
		(A=*1982.) (B=*1982.)									
2	2	194080-82110	WRENCH 17X19	1	1	1	1				
3	2	194446-82110	BOX, TOOL	1	1						
3-1	2	194322-82110-R	BOX, TOOL	1	1	1	1				N
		(A=*) (B=*)									
4	2	194145-82240	BOX WRENCH 26	1	1	1	1				
5	2	28110-080100	SPANNER, 8X10	1	1	1	1				
6	2	28110-100130	SPANNER, 10X13	1	1	1	1				Z
		(A=EXXX) (B=EXXX) (C=EXXX) (D=EXXX)									
7	2	28110-120140	SPANNER, 12X14	1	1	1	1				W
		(A=*1982.) (B=*1982.)									
8	2	28110-170190	SPANNER, 17X19	1	1	1	1				
9	2	28110-220240	SPANNER, 22X24	1	1	1	1				
10	2	28110-260320	SPANNER, 26X32	1	1	1	1				
11	2	28110-270300	SPANNER, 27X30	1	1	1	1				

Fig.69. HEATER(OPTIONAL PART)

(A)=YM220
(B)=YM220D
(C)=YM250

(D)=YM250D
(E)=
(F)=

Fig. 69 HEATER (Optional Parts)



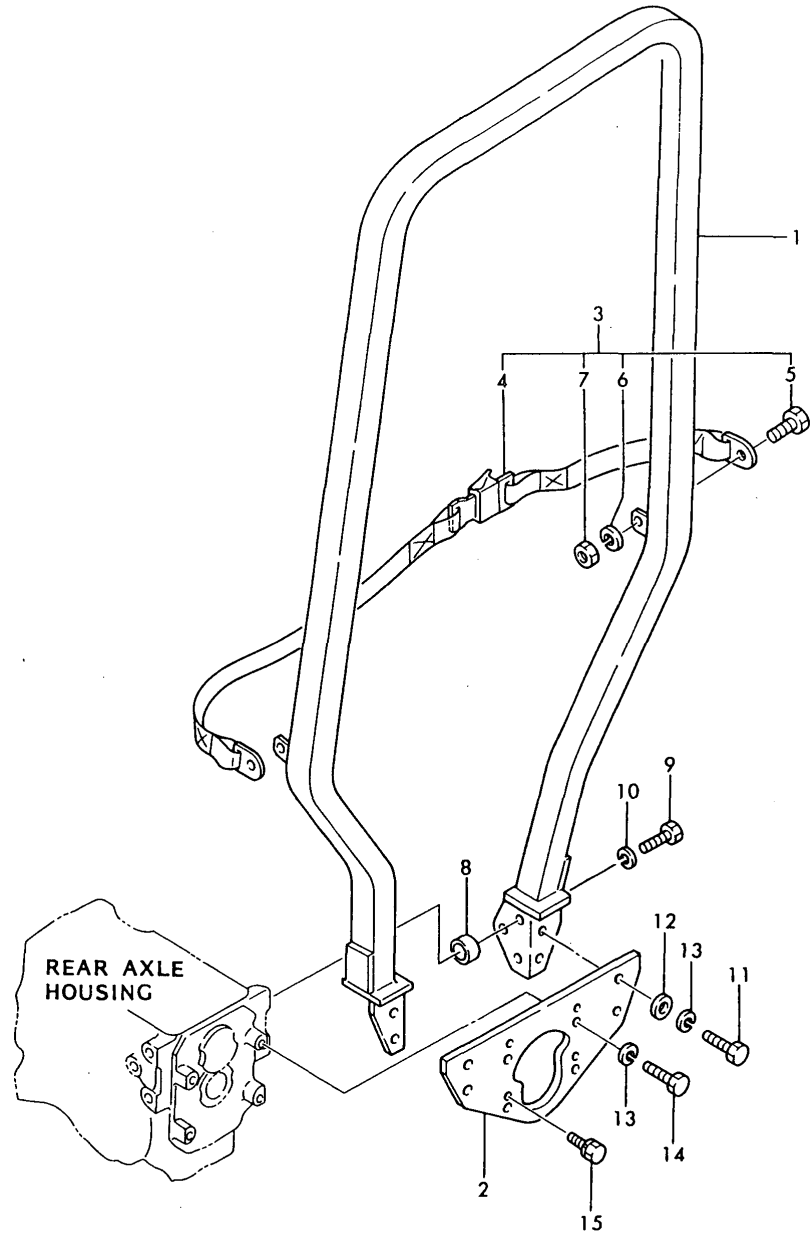
No.	Lev.	Parts No.	Description	Q'ty						I	R
				(A)	(B)	(C)	(D)	(E)	(F)		
1	1	YTI446-59100	HEATER ASSY, ENGINE	1	1	1	1				1
2	2	YTI446-59110	HEATER, ENGINE	1	1	1	1				1
3	2	YTI446-59120	CORD	1	1	1	1				1
4	1	YTI446-59140	HEATER ASSY, OIL	1	1	1	1				1
5	2	YTI446-59150	HEATER, OIL	1	1	1	1				1
6	2	YTI446-59160	CORD	1	1	1	1				1

Fig.70. ROLL BAR

(A)=YM220
(B)=YM220D
(C)=YM250

(D)=YM250D
(E)=
(F)=

Fig. 70 ROLL BAR



No.	Lev.	Parts No.	Description	Q'ty						I	R
				(A)	(B)	(C)	(D)	(E)	(F)		
1	1	4-11053	ROLL BAR ASSY	1	1						1
2	1	1-22347	MOUNT PLATE	1	1						1
3	1	4-11790	SEAT BELT KIT	1	1						1
4	1	3-10287	SEAT BELT	1	1						1
5	2	3-10045	SCREW, HEX CAP	2	2						1
6	2	3-10152	WASHER, LOCK 0.437	2	2						1
7	2	3-10066	NUT, HEX 0.437-14NC	2	2						1
8	1	1-10399	SPACER	6	6						1
9	1	3-11843	SCREW M16X45X2.0	6	6						1
10	1	3-10080	WASHER, LOCK 0.625	6	6						1
11	1	3-10046	SCREW, HEX CAP	4	4						1
12	1	3-10087	WASHER, FLANT	4	4						1
13	1	3-10079	WASHER, LOCK 0.500	8	8						1
14	1	3-12316	SCREW M12X45X1.75	4	4						1
15	1	26013-120222	BOLT, M12X 22	4	4						1

Parts No. Index

Parts No.	Fig. No.	Ref. No.
101147-11900	5	48
101147-12550	7	22
101147-59810	20	41
101158-11190	5	10
101158-11230	5	30
		35
101304-59020	20	12
		16
101720-55750	19	7
102103-55520	19	12
	27	37
102210-07990	4	5
	57	37
103854-11490	5	47
	27	14
103854-51251	17	13 -1
103854-51660	17	27
103854-53120	18	6
103854-53180	18	14
103854-59191	20	22
103854-59201	20	23
104104-67300	6	14
104200-11180	5	9
104200-14200	9	7
104200-22300	11	7
104200-53080	18	3
104200-55080	1	21
104200-55321	19	3
104200-55330	19	4
104200-55341	19	5
104200-55750	19	8
104200-59170	20	21
	27	38
	21	10
104200-61200	21	10
104211-11100	5	4
104211-11110	5	5
104211-11370	5	13
105225-11350	5	12
105225-21500	10	8
105225-21501	10	8 -1
110250-53150	18	8
	48	90
110250-55610	19	13
1-10399	70	8
113200-53110	18	5
113200-53120	18	7
119660-61220	21	11 -1
121000-42051	14	13
	27	28
121000-42100	14	14

Parts No.	Fig. No.	Ref. No.
121023-42100	14	3
121023-42290	14	23
	26	7
121023-77910	23	7
	26	13
121085-01890	2	8
121120-77920	23	8
121150-51460	17	21
121250-01710	5	2
	6	8
121250-02070	3	7
		11
121250-35320	12	13
121250-35330	12	14
121250-35340	12	15
121250-44901	15	19
	26	9
121250-49160	16	9
121250-55620	19	14
121250-59860	20	7
121254-07150	4	3
	57	35
121254-55510	19	11
121254-55600	19	1 -1
121257-55700	29	18
121400-91140	52	42
121420-01760	6	25
	27	16
121450-01210	1	5
121450-01220	1	6
121450-01511	2	19
	27	8
121450-01531	2	21
	27	7
121450-01550	2	22
121450-01560	2	6
121450-01570	2	7
121450-01710	1	31
121450-01801	2	23
121450-01951	1	26
121450-01990	1	9
121450-03011	6	2
121450-03012	6	2 -1
121450-03020	6	3
121450-03030	6	4
121450-03610	6	10
121450-03770	6	13
121450-11260	5	40
121450-11270	5	41
121450-11550	5	14 -1

Parts No.	Fig. No.	Ref. No.
121450-11670	5	15
121450-11680	5	16
	27	12
121450-13200	8	16
	27	21
121450-14090	9	4
121450-14120	9	6
121450-21540	10	9
121450-21541	10	9 -1
121450-32021	12	1
	27	22
121450-32050	12	3
121450-42050	14	2
	27	27
121450-42240	14	6
		17
121450-42260	14	7
		18
121450-42310	14	8
		19
121450-42350	14	25
121450-42450	14	26
121450-44410	14	27
	27	29
121450-44530	15	5
121450-44740	15	14
121450-49020	16	2
121450-49030	16	4
121450-51010	17	2
121450-51500	17	22
121450-59550	20	31
		39
121450-59850	20	6
121450-61001	21	1
121450-61100	21	8
121450-61101	21	8 -1
121450-61631	21	14
121450-66170	21	29 -1
121450-66171	21	29
121450-66180	21	27
121450-77200	22	6
	25	1
121450-77330	22	8
121450-77690	20	43
	23	3
121450-77711	22	10
121450-91400	2	54
121454-12110	7	4
121454-12300	7	7
121454-12480	4	6

Parts No.	Fig. No.	Ref. No.
121454-12480	7	5
	57	38
121454-12500	7	6
121454-12520	4	7
	7	24
	57	39
121454-12550	7	25
121454-12660	7	10
121454-13491	8	1
121454-13651	8	4
121454-44590	15	13
121454-49160	16	10
121454-55600	19	1
121454-59011	20	11
121454-59060	20	20
121454-66002	21	20 -1
121454-66420	21	32
121456-91400	2	49
121456-91981	2	50
121456-91991	2	51
121462-03740	6	11
121462-44580	15	12
121465-11950	5	17
121465-13582	8	23 -1
121465-59950	20	8 -1
121470-13580	8	3
		10
121520-01850	1	24
121520-01860	1	25
121520-02100	1	13
121520-02310	3	17
121520-34800	1	39
121520-34810	1	41
121520-35090	12	6
121520-44510	15	3
121520-44740	15	15
121520-61520	21	15
121520-61620	21	13
121520-66000	21	20
121520-66010	21	25
121520-66550	21	33
121520-77710	22	10 -1
121522-59810	20	3
121522-59830	20	5
121550-01200	1	14
121550-01330	1	16
	27	4
121550-01331	1	16 -1
	27	4 -1
121550-02110	3	3

Parts No. Index

Parts No.	Fig. No.	Ref. No.
121550-02300	3	13
121550-02320	3	18
121550-03760	6	12
121550-11240	5	37
121550-11250	5	38
121550-11280	5	42
121550-11290	5	43
121550-11310	6	24
	27	15
121550-11400	5	44
121550-11411	5	45
121550-11451	5	46
	27	13
121550-13520	8	22
	27	20
121550-14010	9	3
121550-14400	9	8
121550-22090	11	1
121550-23200	11	12
121550-23350	11	14
121550-35100	12	7
121550-35110	12	10
	27	23
121550-39200	13	2
121550-49111	16	6
121550-51100	17	3
121550-77810	23	5
121551-01100	1	4
121551-02220	3	4
121551-21590	10	10
121551-21650	10	14
121551-34800	1	40
121551-59500	20	26
121554-12100	7	3
121554-42010	14	1
121554-42020	14	12
121554-42120	14	9
121554-42140	14	21
121554-44500	15	1
121554-44540	15	8
121554-44550	15	9
121554-49020	16	3
121554-49040	16	5
121554-59010	20	15
121554-59500	20	34
121554-59820	20	4
121567-61000	21	1 -1
121567-61620	21	13 -1
121567-61640	21	15 -1
121575-01510	2	20

Parts No.	Fig. No.	Ref. No.
121575-01510	27	42
121575-01750	1	23
	27	6
121750-01920	1	8
121750-44550	15	11
121750-59090	20	28
		36
121750-59560	20	32
	23	1
121750-59890	51	23
		23 -1
		23 -2
	52	29
121750-77800	23	4
1-22347	70	2
123325-59100	20	1
123325-59110	20	2
124060-01050	1	3
	2	3
124060-11120	5	6
124060-11160	5	7
124060-11170	5	8
124060-23100	11	11
124060-51300	17	15
124060-59380	20	24
124060-77680	20	33
		40
		42
	23	2
	29	20
124064-07160	4	4
	57	36
124064-12400	7	14
124064-12420	7	16
124064-12430	7	17
	27	18
124064-12440	7	18
124064-12450	7	19
124064-12460	7	20
124064-12470	7	21
124064-12510	7	8
	26	3
124064-12560	7	26
124064-12570	7	27
124064-12580	7	28
124064-12670	7	11
124064-12680	7	12
124064-12690	7	13
124066-59100	20	30
		38

Parts No.	Fig. No.	Ref. No.
124067-12050	7	2
	27	19
124085-01900	1	7
124085-35300	12	11
124085-35350	12	17
124160-01650	6	1
	20	10
124160-01751	6	22
124160-11360	6	26
124160-39140	13	1
124160-39450	13	4
	26	6
124160-49480	16	11
124220-51890	4	10
	17	39
124240-01882	2	35
	27	9
124250-77012	22	1
	24	1
124250-77070	24	2
124250-77110	24	6
124250-77120	24	7
124250-77130	24	8
124250-77140	24	9
124250-77150	24	10
124250-77160	24	11
124250-77170	24	12
124250-77180	24	13
124250-77190	24	14
124250-77210	24	16
124250-77220	24	17
124250-77230	24	18
124250-77240	24	19
124250-77270	24	22
124250-77310	24	26
124250-77320	24	27
124250-77500	24	28
124250-77510	24	29
124250-77520	24	15
124250-77540	24	30
124250-77550	24	25 -1
124450-01610	1	18
124450-11320	7	1
124450-12560	7	22 -1
124450-12571	7	23
124450-21230	10	11
124450-35100	12	8
	26	5
124450-35110	12	9
	27	24

Parts No.	Fig. No.	Ref. No.
124450-39240	13	3
124450-44560	15	6
124450-44590	15	2
		10
124460-77820	23	6
124465-13652	8	11
124465-44950	15	21
	27	30
124550-51320	17	16
124550-51341	17	17
124550-51350	17	18
	27	34
124550-51370	17	19
	27	35
124550-55700	19	15
	26	12
124550-59030	20	27
		35
124550-59090	20	29
		37
124550-59820	13	5
124550-66370	21	31
124550-77020	22	2
124550-77030	22	3
124610-77210	22	7
124736-77700	20	43 -1
124764-44800	4	8
	15	17
	57	40
124764-44810	4	12
	15	18
	57	41
124764-44920	4	11
	15	20
	57	42
124764-77090	22	5
124764-77980	4	13
	57	33
124766-59050	16	15
	20	13
		17
		19
	29	19
		23
124770-53000	18	2
	26	11
124950-11340	5	11
124950-26420	2	42
124950-51190	17	6
124950-51270	17	14

Parts No. Index

Parts No.	Fig. No.	Ref. No.
124950-51270	27	33
124950-51450	17	20
124950-51510	17	23
124950-51640	17	24
128272-11170	5	8 -1
129350-01230	1	15
129350-01600	1	17
129350-13490	8	8
129350-14100	9	5
129350-21200	10	7
129350-21600	10	13
129350-26000	2	37
129350-26050	2	38
129350-26100	2	39
129350-26160	2	46
129350-26200	2	40
129350-26400	2	41
129350-26490	2	43
129350-32090	12	2
129350-42200	14	5
		16
129350-42290	14	24
	26	8
129350-44760	15	16
129350-49010	16	1
129350-49120	16	7
129350-49130	16	8
129350-49530	16	12
129350-49540	16	13
	27	32
129350-49800	16	14
	26	10
129350-61600	21	12
129350-66010	21	26
129350-77050	22	4
129350-77051	22	4 -1
129354-77330	22	9
135210-61090	21	19
160260-01800	6	19
171051-01921	1	8 -1
171051-59810	20	3 -1
171051-59820	20	4 -1
171051-59830	20	5 -1
172100-22400	11	8
172100-53200	18	15
	27	36
172200-61220	21	11
174100-54120	17	12
174307-51170	17	4
174307-51181	17	5

Parts No.	Fig. No.	Ref. No.
174307-51700	17	28
177088-06160	49	9
192060-46110	55	4
194065-34170	45	19 -1
194080-12960	61	4
194080-12970	61	5
194080-15420	35	16
194080-15430	35	17
194080-15440	35	18
194080-15450	35	19
194080-15460	35	21
194080-15550	35	33
194080-27190	40	5
194080-27252	40	10
194080-37781	46	37
194080-51411	51	16 -1
194080-51430	51	32
194080-55820	54	9
194080-57202	52	46
194080-58810	51	21
	55	45
194080-58820	55	5 B-1
194080-74631	58	31
194080-81111	67	1
194080-81212	67	6
194080-81230	67	2
194080-82110	68	2
194081-12960	60	4
194081-12970	60	5
194081-54110	53	21
	54	11
194081-54120	53	22
	54	12
194081-54131	53	23
	54	13
194081-54151	53	24
	54	14
194081-54210	53	25
	54	15
194081-54220	53	26
194081-54221	53	26 -1
	54	16
194081-54230	53	27
	54	17
194081-54240	53	28
	54	18
194081-55820	53	29
	54	19
194110-26370	38	33
194110-37691	46	33

Parts No.	Fig. No.	Ref. No.
194130-12720	31	44
194130-15470	35	22
194130-22170	36	25
194130-22280	36	4
194130-25270	38	13
194130-33190	44	18
194130-34811	60	8
		18
	61	8
		18
	63	13
		23
	64	13
		23
194130-34821	61	9
		19
	63	14
		24
194130-34840	60	9
		19
	61	10
		20
	63	15
		25
	64	14
		24
194130-34850	60	10
		20
	61	11
		21
	63	16
		26
	64	15
		25
194130-34891	60	11
		21
	64	16
		26
194130-37560	46	29
194130-37730	36	38
	50	1
194130-37740	46	35
194130-43350	48	45
194130-44480	48	54
194130-46750	48	26
194130-48650	47	24
194136-04720	29	16
194136-12880	62	4
		8
		8
	65	4

Parts No.	Fig. No.	Ref. No.
194136-12880	65	8
194136-34710	62	10 -1
		15 -1
	65	10 -1
		15 -1
194136-34720	62	11 -1
		16 -1
	65	11 -1
		16 -1
194136-34750-Q	62	13
		18
	65	13
		18
194136-34760-Q	62	13 -1
		18 -1
	65	13 -1
		18 -1
194140-63221	56	44
194145-01260	28	5
194145-04302	29	3
194145-04311	29	4
194145-04322	29	5
194145-04351	29	6
194145-04460	29	7
194145-04521	29	8
194145-11350	31	5
194145-11801	31	7
194145-11820	31	8
194145-11860	31	9
194145-11870	31	10
194145-11910	31	11
194145-11920	31	12
194145-11930	31	13
194145-11970	31	14
194145-11980	31	15
194145-11990	31	16
194145-12611	31	40
194145-12630	31	41
194145-12640	31	42
194145-15651	35	35
194145-27960	41	23
194145-36651	44	36
194145-37540	46	24
194145-45370	48	88
194145-51570	55	6
194145-52820	52	19
194145-52830	52	20
194145-52840	52	21
194145-61560	55	50
	56	23

Parts No. Index

Parts No.	Fig. No.	Ref. No.
194145-61570	55	18
194145-61650	55	21
		60
194145-64430	55	67
	56	10
		16 -1
194145-72550	58	10
		24
194145-73150	58	29
194145-75240	59	2
194145-75250	58	37
	59	3
194145-82240	68	4
194150-01190	46	19
194150-01270	28	6
194150-01370	28	9
194150-12410	31	31
194150-21910	30	11
	36	7
194150-22160	36	24
194150-22460	36	35
194150-22480	36	37
	46	20
194150-27260	40	11
194150-27760	41	21
194150-27810	37	54
194150-27870	37	25
	41	22
194150-33150	45	3
194150-36550	46	4
		13
194150-36651	44	37
194150-37530	46	23
194150-37570	46	30
194150-42130	48	3
194150-42280	48	11
194150-44211	48	49
194150-44261	48	52
194150-45320	48	85
194150-45340	48	86
194150-45361	48	87
194150-51130	51	7
194150-51140	51	9
194150-51620	32	63
	51	17
194150-52160	52	8
194150-52170	52	9
194150-71230	58	3
		3 -1
194150-74670	58	32

Parts No.	Fig. No.	Ref. No.
194150-74910	58	35
194150-74920	58	36
194150-75740	59	9
194151-04260	29	12
194151-24770	34	8
		25
	37	22
	42	1
	44	15
194151-36670	36	10
	44	38
194151-37730	46	34
194151-42831	48	14
194151-44111	48	48
194151-45370	48	88 -1
194151-46261	48	89
194151-46640	48	80
194151-47760	50	15
194151-48710	47	25
194151-57100	52	44
194151-57210	52	47
194151-63222	56	45
194151-63240	56	46
194151-63250	56	48
194155-05210	55	42 -1
	56	21 -1
194155-52110	52	1 -1
194155-52160	52	2 -1
		4
194155-55820	52	36
194162-58830	55	46
194166-14800	63	3
		8
194166-14810	63	4
		9
194166-14820	63	5
		10
194167-62110-R	56	4
194167-62111-R	56	4 -1
194167-62120-R	56	5
194167-62121-R	56	5 -1
194170-37660-X	46	31
194170-42200-X	48	7
194170-42220	48	10
194170-45100-X	49	1
194170-45101-X	49	1 -1
194170-45120	49	2
194170-45220	49	15
194170-45230	49	16
194170-45250	49	17

Parts No.	Fig. No.	Ref. No.
194170-45320	49	18
194170-45321	49	18 -1
194170-45330	49	19
194170-45350	49	20
194170-45360	49	21
194170-45370	49	22
194170-45410	49	10
194170-45430	49	23
194170-45440	49	24
194170-45500	49	8
194170-45520	49	25
194170-45530	49	26
194170-45550	49	27
194170-45560	49	28
194170-45570	49	11
194170-45600	48	66
194170-45610	48	67
194170-45620	48	68
194170-45630	48	69
194170-45700	48	70
194170-45710	48	71
194170-45720	48	72
194170-45730	48	73
194170-45740	48	74
194170-47310-X	50	3
194170-47420	50	6
194170-47440	50	7
194170-51210	55	5
194170-52130	52	6
194170-55120	52	31
194170-55130	52	32
194170-55150	52	33
194170-55160	52	34
194170-55170	52	35
194170-63110-X	56	39
194170-65510	57	8
194170-65570	57	15
194170-65620	57	20
194170-65891	57	30
194170-72230-X	58	14
194171-13770	34	20 -2
194171-13870	34	22 -1
194171-14110	33	37 -1
194171-14160	33	40 -1
194171-14170	33	41 -1
194171-14180	33	42 -1
194171-14190	33	43 -1
194171-14800	64	3
		8
194171-14810	64	4

Parts No.	Fig. No.	Ref. No.
194171-14810	64	9
194171-14820	64	5
		10
194180-12650	31	43 -1
	33	36 -1
194180-47490	50	9
194180-47500	50	10
194190-15560	35	36
194190-22250	36	3
194190-24290	37	16
194190-26180	39	4
194190-26430	38	20
194190-26840	38	14
194190-26860	37	23
194190-27280	40	12
194190-31120	32	48
194190-31130	32	49
194190-31490	32	4
		21
194190-31510	32	18
194190-32100	32	20
194190-61250	55	8
194190-61560	55	51
194190-61750	55	24
194190-61761	55	25
194190-61780	55	26
194191-13232	30	17
194191-13240	30	18
194191-13270	32	27
194191-13331	32	29
194191-13340	32	30
194191-13350	32	32
194191-13370	32	31
194191-13530	32	8
194191-13540	32	9
194191-13662	32	39
194191-13671	32	10
194191-13681	32	41
194191-28350	39	15
194191-28451	42	13
194191-28480	42	14
194197-01160	28	3
194197-15150	35	3 -1
194197-15610-X	35	34
194197-21160	36	6
194197-22310	36	29
194197-24970-X	37	56
194197-26500	39	7
194197-26670	39	10
194197-26680	39	11

Parts No. Index

Parts No.	Fig. No.	Ref. No.
194197-26690	39	12
194197-26700	39	13
194197-26710	39	14
194197-26911	44	17
194197-27121	40	3
194197-27521	41	6
194197-63270	56	50
194197-72201-X	58	13
194197-75210-X	59	1
194200-41170	47	3
194200-41180	47	4
194200-41190	47	5
194200-41200	47	6
194200-65610	57	18
194201-53051	54	2
	53	5
	54	5
194201-53110	53	6
	54	6
194205-42280	48	12
194205-63550	56	52
194215-52110	52	1
194215-52120	52	2
194240-14210	31	22 -1
194240-34710	62	10
		15
		65
		10
		15
194240-34720	62	11
		16
		65
		11
		16
194240-34730	62	12
		17
		65
		12
		17
194240-52210	52	12
194240-65432	57	4
194240-65441	57	5
194240-65670	57	24
194240-65671	57	24 -1
194240-83420	51	24
194241-14101-X	33	37
194241-15100	35	1
194241-15110	35	2
194241-15200	35	5
194241-15310	35	11
194241-15350	35	14
194241-15500	35	23

Parts No.	Fig. No.	Ref. No.
194241-27540	41	7
194247-04730	29	17
194247-11130	30	8
194247-24350	37	17
194247-26500	39	8
194247-48380	47	50
194247-51110	51	4
194247-51500	51	33
194247-52160	52	54
194247-61700	55	22
194247-61701	55	22 -1
194247-61702	55	22 -2
194247-63210	56	42
194247-65720	57	25
194248-65720	57	26
194250-51660	51	19
		19 -1
194250-61640	55	19 -1
194262-53080	53	3
	54	3
194262-53090	53	4
	54	4
194274-13570	44	24
194274-13580	37	1
194275-12910-Q	60	2
	61	2
194275-45340	48	65
194275-51141	51	10 -1
194275-53401	53	8
194275-53410	53	9
194275-53421	53	10
194275-53431	53	11
194275-53451	53	13
194275-53481	53	15
194275-61480	55	16
		16 -1
194275-62310	55	63
		64
		65
194275-63120	56	41
194275-65610	57	19
194275-65660	57	23
194275-73180	44	39
194278-12650	31	43 -2
	33	36 -2
194280-34170	45	19
194281-42810-X	48	13
194281-63240	56	47
194282-36660	56	37
194282-44230	48	50

Parts No.	Fig. No.	Ref. No.
194282-44250	48	51
194282-44530-X	48	56
194286-04140	29	2
194286-71500-X	58	5
194286-74680-U	58	32 -1
194292-74800-U	58	34 -1
194300-33200	45	5
194305-51210	55	5 A
194310-04250	29	11
194310-15170	35	4
194310-15181	35	32
194310-15320	35	12
194310-15411	35	15
194310-25830	38	21
194310-25840	38	22
194310-25850	38	23
194310-27180	40	4
	41	2
		16
194310-37560	39	16
	42	15
194310-43310	48	44
194310-43410	48	47
194310-44420	48	53
194310-46350	48	22
194310-46380	48	24
194310-46730	48	25
194310-47870	50	16
194310-65720	57	27
194311-11510	30	15
194311-11520	30	16
194311-12110	33	1
194311-12210	33	2
194311-12310	33	4
194311-13101	32	1
194311-13130	32	5
194311-13140	32	6
194311-13150	32	7
194311-13360	32	33
194311-13430	34	1
194311-13450	32	36
194311-13460	32	37
194311-13470	32	38
194311-13510	32	43
194311-13511	32	43 -1
194311-13520	32	44
194311-13530	32	45
194311-13540	32	46
194311-13550	32	47
194311-13720	34	16

Parts No.	Fig. No.	Ref. No.
194311-13730	34	17
194311-13751	34	18
194311-13760	34	19
194311-13771-X	34	20
194311-13772-X	34	20 -1
194311-13850	33	19
194311-13860	33	20
194311-13870	33	21
194311-13880	33	22
194311-13890	33	23
194311-13910	33	24
194311-13920	33	25
194311-13930	33	26
194311-13940	33	27
194311-13950	33	28
194311-13960	33	29
194311-14121	33	38
194311-14122	33	38 -1
194311-14130	33	39
194311-14161	33	40
194311-14172	33	41
194311-14180	33	42
194311-14190	33	43
194311-14700	63	2
		7
	64	2
		7
194311-28230	42	8
194311-28320	42	12
194312-11520	31	4
	34	3
194312-12300-X	31	25
194312-12301	31	25 -1
194312-36710	46	6
194312-36720	46	15
194312-42150	48	6
194312-46630	48	79
194312-51210	51	14
194312-51220	51	15
194312-51411	51	16
194312-61290	55	15 -1
194313-13630	34	6
194313-13640	34	7
194313-13710	34	15
194313-13790	34	22
194321-13230	43	9
194322-24980	37	57
194322-25260	38	12
194322-34180	45	20 -1
194322-51130	51	8

Parts No. Index

Parts No.	Fig. No.	Ref. No.
194322-51140	51	10
194322-52110	52	3
194322-61290	55	12
194322-61430	55	11
194322-63250	56	49
194322-63280	56	51
194322-65561	57	13
194322-71600	58	6
194322-71700	58	7
194322-82110-R	68	3 -1
194323-65561	57	14
194324-62310	55	66 -1
194330-62530	56	25
194361-12811	62	2
		6
	65	2
		6
194361-12850	62	3
		7
	65	3
		7
194361-16100-X	35	41
194361-16101	35	41 -1
194361-21101-X	36	1
194361-21102-X	36	1 -1
194361-21400	36	18
194361-22620	36	9
194361-24102-X	37	2
194361-24140	37	11
194361-24160-X	37	49
194361-24210-X	37	12
194361-24220	37	13
194361-24290	37	16 -1
194361-24380	37	21
194361-25130	38	5
194361-25140	38	6
194361-25150	38	7
194361-25160	38	8
194361-25210	38	11
194361-25250	38	10
194361-25610	38	25
194361-25620	38	26
194361-25630	38	27
194361-25640	38	28
194361-25650	38	29
194361-25660	38	30
194361-25670	38	31
194361-25681	38	32
194361-25910	38	39
194361-25920	38	40

Parts No.	Fig. No.	Ref. No.
194361-25950	38	41
194361-25960	38	24
194361-26110	39	1
194361-26120	39	2
194361-26550	39	9
194361-27110-X	40	2
194361-27210	40	6
194361-27220	40	7
194361-27230	40	8
194361-27300	40	13
194361-27310	40	14
194361-27320	40	15
194361-27350-X	41	3
194361-27360	41	4
194361-27372-X	40	17
194361-27380	40	18
194361-27450	40	19
194361-27460	40	20
194361-27470	40	21
194361-27510	41	5
194361-27550	41	8
194361-27570	41	18
194361-27571	41	18 -1
194361-27640	41	19
194361-27660	41	20
194361-31300	43	3
194361-31301	43	3 -1
194361-33100	45	1
194361-34100-X	45	18
194361-37421-X	46	21
194361-37471-X	46	26
194361-37550-X	46	28
194361-41120	47	1 -1
194361-44420	48	53 -1
194361-52370	51	20
194361-75430	59	4
194361-75720-X	59	6
194362-13300-X	32	28
194362-13780	34	21
194362-13810-X	34	23
194362-13811-X	34	23 -1
194362-13812-X	34	23 -2
194362-13820-X	34	24
194362-14610-X	32	52
194362-14640-X	32	53
194362-14650	32	54
194362-14700	63	2 -1
		7 -1
194362-28111	42	3
194362-28150	42	4

Parts No.	Fig. No.	Ref. No.
194362-28161	42	5
194362-28221	42	7
194362-28230	42	9
194362-28281	42	10
194363-11200-X	31	1
194363-27560-X	41	17
194363-43200-X	48	15
194363-46620	48	78
194363-51110	51	5
194363-51111	51	5 -1
194363-51120	51	6
194363-52230-X	52	13
194363-61670	55	62
194363-65720	57	28
194364-65720	57	29
194370-26880	37	24
194370-65451	57	6
194420-01351	28	8
194420-05210	30	3
194420-15700	35	38
194420-22240	36	28
194420-22330	36	30
194420-22470	36	36
194420-22610	36	8
194420-24120	37	10
194420-24270	37	14
194420-24280	37	15
194420-24340	43	21
194420-24350	37	18
194420-24360	37	19
194420-24371	37	20
194420-25860	43	2
194420-26650	45	12
194420-27160	41	1
194420-31820	32	19
194420-32350	43	24
194420-32360	43	25
194420-32370	43	26
194420-32620	44	29
194420-34340	44	35
194420-36300	46	1
		10
194420-36320	46	2
		11
194420-36510	46	3
		12
194420-36570	46	5
		14
194420-37510	46	27
194420-37670	46	32

Parts No.	Fig. No.	Ref. No.
194420-37770	46	36
194420-47370	50	4
194420-52120	52	5 -1
194420-58820	51	22
194420-61250	55	9
194420-61640	55	19
		20
		59
194420-65590	57	16
194420-74800	58	34
194420-75710	59	5
194420-75720	59	7
194420-75730	59	8
194421-28211	42	6
194421-28310	42	11
194422-24181	37	50
194422-27230	40	9
194422-61371	55	13
194430-01510	28	25
194430-22110	36	22
194430-24930	37	55
194430-25460	42	2
194430-25810	43	1
194430-25830	44	16
194430-31490	43	6
		15
194430-31510	43	10
194430-31610	43	11
194430-31820	43	12
194430-31850	43	13
194430-32100	43	14
194430-32101	43	14 -1
194430-32300	43	22
194430-32310	43	23
194430-33140	45	2
194430-33400	45	13
194430-33410	45	14
194430-33500	45	17
194430-61500	55	48
194430-74710	58	33
194431-13600	34	2
194431-13620	34	5
194432-01110	28	2
194432-01320	28	7
194432-01440-U	28	21
194432-01441	28	21 -1
194432-04112	29	1
194432-11110-X	30	7
194432-11111	30	7 -1
194432-11112	30	7 -2

Parts No. Index

Parts No.	Fig. No.	Ref. No.
194432-11130-X	30	9
194432-11140	30	10
194432-12900-Q	60	1
194432-14110-X	31	21
194432-22411-X	36	33
194432-24300-X	44	2
194432-24301	44	2 -1
194432-32600-X	44	27
194432-32610-X	44	28
194432-32820-X	44	30
194432-32830-X	44	31
194432-32850	44	32
194432-33160-X	45	4
194432-34310-X	44	33
194432-34320-X	44	34
194432-34700-Q	60	6
	64	11
194432-34800-Q	60	16
	64	21
194432-34900	60	13
		23
	64	18
		28
194432-34910	60	14
		24
	64	19
		29
194432-34920	60	15
		25
	64	20
		30
194432-37421-X	46	21 -1
194432-37471-X	46	26 -1
194432-37540-R	46	24 -1
194432-37670	46	43
194432-41120	47	1
194432-41150	47	2
194432-41210	47	7
194432-42100-X	48	1
194432-44510	48	55
194432-47121	50	2
194432-47390	50	5
194432-47530-X	50	11
194432-47540-X	50	12
194432-47610-X	50	13
194432-47710-X	50	14
194432-48110-X	47	16
194432-48220-X	47	19
194432-48240-X	47	23
194432-48250-X	47	22

Parts No.	Fig. No.	Ref. No.
194432-48380-X	47	51
194432-51310	51	31
194432-51550	51	34
194432-56100	52	23
194432-56130	52	37
194432-56150	52	25
194432-56170	52	26
194432-61100-R	55	7
194432-61480	55	17
194432-61570	55	52
194432-61600	52	30
194432-61610	52	38
194432-61660-X	55	61
194432-61700-X	55	23
194432-61830	55	28
194432-61940	55	31
194432-61950	55	32
194432-62150	56	6
194432-62200-R	56	7
194432-62210-R	56	8
194432-62230	56	9
194432-62511-X	56	24
194432-62530-X	56	26
194432-62531	56	26 -1
194432-62550-X	56	29
194432-62551-X	56	29 -1
194432-63210-X	56	43
194432-72300-X	58	23
194432-72400-X	58	15
194432-73410-X	58	28
194432-74720	58	33 -1
194433-34700-Q	61	6
	63	11
194433-34800-Q	61	16
	63	21
194433-34900	61	13
		23
		28
194433-34910	61	14
		24
	63	19
		29
194433-34920	61	15
		25
	63	20
		30
194440-01550	28	26
194440-15340	35	13
194440-15341	35	13 -1

Parts No.	Fig. No.	Ref. No.
194440-15870	35	40
194440-22441	36	34
194440-48210	47	17
194440-48230	47	21
194440-48830	47	26
194440-48840	47	27
194440-51150	51	11
194440-51180	51	13
194440-51620	51	18 -1
	55	76
194440-51630	51	18
194440-52120	52	5
194440-52130	52	7
194440-52190	52	10
194440-52191	52	10 -1
194440-52400	52	16
194440-52420	52	18
194440-55100	52	52
	54	20
194440-55120	54	21
194440-55820	52	53
	54	22
194440-61220	55	10
		47
194440-61320	55	14
194440-61550	55	49
194440-61610	55	53
194440-61690	55	55
194440-61820	55	27
194440-61831	55	28 -1
194440-63110	56	40
194446-05110-R	30	1
194446-05121-R	30	2
194446-05220	30	4
194446-48230-X	47	22 -1
194446-51160	51	12
194446-61310	55	13 -1
194446-61580	55	75
194446-61620-R	55	57
194446-61621-R	55	57 -1
194446-61910	55	29
194446-61920	55	15
194446-61930	55	30
194446-61950	55	33
194446-62310	55	66
194446-64752	57	2
194446-65300	57	32
194446-65352	57	3
194446-65461	57	7
194446-65630	57	22

Parts No.	Fig. No.	Ref. No.
194446-65681	57	31
194446-65731	66	25
194446-82110	68	3
194446-83110-X	66	2
194446-83120	66	3
194446-83130	66	4
194446-83140	66	5
194446-83150	66	6
194446-83160	66	7
194446-83170	66	8
194446-83180	66	9
194446-83210-X	66	10
194446-83220-X	66	11
194446-83240	66	12
194446-83250-X	66	13
194446-83260	66	14
194446-83310	66	15
194447-14140	44	25
194447-14180	44	26
194447-65621	57	21
194448-61620	55	58
	56	3
194448-65600	57	17
194450-11190	44	1
194450-21150	36	5
194450-21151	36	5 -1
194464-01190	28	4
194464-11340	31	3
194464-15450	35	20
194464-45920	37	26
	48	18
		19
194464-45930	37	27
	48	20
		21
194464-47440	50	8
194464-48210	47	18
194464-48220	47	20
194464-48300	47	39
194464-48310	47	49
194464-48322	47	40
194464-48331	47	41
194464-48341	47	42
194464-48351	47	43
194464-48361	47	44
194464-48370	47	45
194464-48390	47	46
194464-52190	52	11
194464-57250	52	48
194491-14190	33	47 -1

Parts No. Index

Parts No.	Fig. No.	Ref. No.
194515-62450	56	38
194550-46300	48	77
194550-46360	48	23
194550-51220	51	15 -1
194550-77590	55	77
194555-34190	60	12 -1
		22 -1
	61	12 -1
		22 -1
	63	17 -1
		27 -1
	64	17 -1
		27 -1
194555-34210	60	9 -1
		19 -1
	61	10 -1
		20 -1
	63	15 -1
		25 -1
	64	14 -1
		24 -1
194555-34850	60	10 -1
		20 -1
	61	11 -1
		21 -1
	63	16 -1
		26 -1
	64	15 -1
		25 -1
194640-13340	32	31 -1
194730-57110	31	34 -1
194730-57120	33	7 -1
194730-57130	33	13 -1
194730-57220	31	27
		36
	33	9
		15
	35	43
194730-57241	31	28
		37
	33	10
		16
	35	44
194740-00160	28	1
194740-06080	37	3
194740-10850	32	15
194740-10870	32	16
194740-10880	32	17
194740-55620	35	25
194740-70270	56	11

Parts No.	Fig. No.	Ref. No.
194740-76200	56	12
194750-04400	28	10
194750-15250	35	6
194750-15260	35	7
194750-15270	35	8
194750-15280	35	9
194750-15290	35	10
194750-15520	35	24
194990-22030	54	8
		56
		13
194990-22040	52	43
194990-22050	2	9 -1
		36 -1
	7	29
	51	1
		2
		3
	53	1
	54	1
	55	1
194990-22120	55	43
		57
194990-22130	55	2
	56	1
		36
194990-22140	55	3
		44
	56	2
		22
194990-22830	31	32
	33	5
194990-22840	31	33
	33	6
194990-42710	36	27
194990-52600	37	38
194990-57740	31	18
195080-15060	58	2
198220-48750	47	24 -1
198341-14750	63	1 -1
198341-14850	63	6 -1
198351-14700	64	2 -1
		7 -1
198351-14750	64	1 -1
198351-14850	64	6 -1
198421-45440	49	17 -1
1A1030-12200	31	17
1A1040-26320	40	1
1A1040-28820	42	33
1C6120-12360	38	1
1C6140-13710	38	44

Parts No.	Fig. No.	Ref. No.
1E4030-27340	40	16
1E6190-54080	42	16
1E6191-54330	48	97
1E7150-53190	37	28
22117-050000	6	15
	17	41 -1
	22	11
22117-060000	2	18
	12	5
	14	11
	15	26
22117-080000	1	38
	2	24
		34
		48
	5	18
	6	28
	14	32
		34
	16	21
	19	17
	22	12
	29	21
	50	17
		18
22117-100000	2	10
	8	15
	50	19
		20
	66	16
22117-120000	38	42
	42	17
22137-050000	17	41
	50	21
22137-060000	28	22
22137-080000	21	39
	22	13
		21
	28	11
		12
	32	55
	36	11
	47	28
	50	22
	55	34
		74
	56	30
		53
		63
22137-100000	5	52

Parts No.	Fig. No.	Ref. No.
22137-100000	28	13
	36	39
	53	17
	56	31
22137-120000	50	23
22137-160000	33	30
	48	57
22157-060000	30	5
	55	35
22157-100000	28	14
22217-040000	25	12
		13
	52	27
22217-050000	17	42
	22	14
	50	24
22217-060000	1	37
	2	33
	31	45
	37	58
	66	17
22217-080000	1	29
	2	11
		11 -1
		47
	3	16
	5	51
	7	34
	8	21
		24
	14	28
		36
		37
	16	22
	19	18
	22	23
	29	22
	35	26
	37	29
		30
	40	22
	41	9
		24
	42	18
		19
	43	27
	44	4
		19
	46	7
		16

Parts No. Index

Parts No.	Fig. No.	Ref. No.	
22217-080000	47	8	
		52	
	48	27	
	50	25	
		26	
	52	39	
	56	54	
		55	
	22217-090000	40	23
	22217-100000	8	5
	12		
	16	16	
	25	19	
	32	56	
	34	9	
		10	
		26	
	36	12	
		13	
	37	5	
	44	5	
		40	
		41	
		42	
	46	44	
	48	28	
	53	18	
	56	15	
22217-120000	31	23	
	34	27	
	36	14	
	37	31	
		32	
		6	
	44	58	
	48	29	
	22217-140000	48	29
			30
	58	38	
22217-160000	33	31	
	37	33	
	41	25	
	44	43	
	48	59	
	60	12	
		22	
	61	12	
		22	
	63	17	
	27		
	64	17	

Parts No.	Fig. No.	Ref. No.
22217-160000	64	27
	67	4
		8
22217-200000	35	27
22242-000140	5	49
22242-000190	38	15
22242-000240	32	50
22242-000250	2	44
	38	16
22242-000290	39	17
	42	20
	45	15
22242-000340	38	34
	42	21
	43	7
22242-000400	38	35
22242-000450	45	21
22242-000550	33	44
22252-000150	38	4
22252-000170	39	5
22252-000280	47	9
22252-000470	2	45
	37	51
	38	36
22252-000520	42	22
22252-000550	42	23
22252-000600	47	47
22252-000680	34	28
22252-000720	34	29
22252-000900	34	28 -1
22252-001000	34	30
22262-000550	66	18
22272-000040	50	27
22272-000060	21	40
	50	28
		29
22272-000100	40	24
22272-000190	46	38
22292-000450	39	18
22312-030080	21	30
22312-030220	6	16
		16 -1
22312-040080	21	16
22312-080160	1	10
	10	3
	43	17
22312-100140	42	24
22312-100180	37	6
22312-100500	37	7
22322-030180	21	6

Parts No.	Fig. No.	Ref. No.
22322-030180	21	7
22322-030200	21	23
22351-030010	21	17
22351-030018	40	25
22351-035025	43	28
22351-035032	36	31
	41	26
22351-040008	10	15
22351-040010	2	12
22351-040012	48	81
22351-040014	50	30
	58	39 -1
22351-040022	48	60
		82
	58	17
22351-040024	58	8
22351-040025	32	23
22351-050025	40	26
22351-050028	50	31
22351-050030	43	18
22351-050040	40	27
	45	6
22351-050056	48	61
22351-060012	1	30
	40	28
22351-060025	41	10
	42	25
	43	29
22351-060032	36	32
	41	27
22351-080018	32	24
	36	15
		20
	46	25
22351-080020	34	31
		32
22351-080032	45	7
22351-080040	45	8
22351-100020	44	7
	48	96
22360-080000	56	56
22360-160000	30	12
	58	18
		25
22360-190000	59	10
22360-200000	58	39
22417-160180	28	15
		16
		17
		23

Parts No.	Fig. No.	Ref. No.
22417-160180	28	27
22417-200200	55	36
	56	57
22417-200300	36	40
	46	39
22417-250250	38	43
22417-250400	32	11
22417-300150	21	40 -1
22417-300200	50	32
		33
22417-300250	31	29
		38
	33	11
		17
	35	45
22417-300350	58	40
22417-400400	32	34
22417-400450	31	19
22451-060000	21	41
22487-060120	28	24
22512-070180	10	4
		5
22512-070220	33	32
22512-070280	66	19
22512-070300	9	9
22512-070400	46	40
22512-100340	31	20
22522-030130	47	7 -1
	50	34
22857-300100	55	56
22857-400120	52	40
23010-038000	16	17
23010-060000	32	57
23010-066000	32	58
23061-070035	51	25
		25 -1
23065-070145	15	7
23065-120500	6	5
23080-012000	29	23 -1
	56	58
23414-080000	13	6
	27	26
23414-080012	20	44
	27	40
23414-100000	13	7
	27	25
23414-140018	48	31
23414-180023	47	29
	48	32
23414-200026	48	75

Parts No. Index

Parts No.	Fig. No.	Ref. No.
23414-200026	48	93
23418-060000	19	9
	28	28
23418-080000	6	17
23491-140002	34	8 -1
		25 -1
	37	22 -1
	42	1 -1
	44	15 -1
23871-010000	37	34 -1
	48	4 -1
		9 -1
		17 -1
	49	14 -1
23871-020000	5	19 -1
23871-030000	5	20 -1
	14	20
	44	20 -1
23873-010000	37	34
	48	4
		9
		17
	49	14
23873-020000	5	19
23873-030000	5	20
	44	20
24101-060054	38	17
		37
	42	26
24101-060084	33	45
24101-060094	32	12
		25
24101-060124	43	19
24101-060134	33	33
24101-062024	2	52
24101-062044	37	52
	38	18
	39	6
24101-062054	9	1
	33	34
	37	53
	38	19
	39	19
	42	27
24101-062064	39	20
24101-062074	32	51
24101-062094	45	22
24101-062104	33	45 -1
24101-062114	33	46
	43	8

Parts No.	Fig. No.	Ref. No.
24101-063050	2	25
24101-063064	45	16
24104-060064	66	20
24121-060084	38	38
24141-302050	31	11 -1
24161-172117	38	44 -1
24161-253017	38	20 -1
24190-080001	10	6
	42	28
24190-080003	48	94
24190-100001	12	16
	32	35
	40	29
	41	11
		28
24190-110001	5	39
	28	18
24211-035002	33	47
24311-000050	49	29
24311-000070	6	18
	21	24
24311-000090	48	83
24311-000100	1	11
	27	3
	38	45
	49	35
24311-000110	40	30
	42	29
24311-000120	6	27
	16	18
	27	31
	48	76
		84
		95
	49	30
24311-000140	49	36
24311-000150	50	35
		36
24311-000160	34	11
		33
	37	35
		36
	41	12
		29
	42	30
	44	21
	45	9
24311-000180	52	14
24311-000200	47	30
		31

Parts No.	Fig. No.	Ref. No.
24311-000200	47	32
24311-000210	32	13
	42	31
24311-000220	34	12
	47	33
24311-000280	47	48
24311-000320	6	25 -1
	27	16 -1
24311-000450	29	10
24311-000650	48	46
24311-240100	19	10
24315-000070	49	31
24315-000110	48	33
	49	32
24315-000140	48	34
24315-000200	47	6 -1
24321-000400	33	48
24321-000500	33	48 -1
	35	28
	48	62
24321-000600	32	59
		60
24321-000700	34	34
24321-001000	43	30
24321-001150	42	32
24325-000750	48	35
24341-000100	47	15 A
24341-000160	41	30
24341-000200	46	8
		17
24341-000250	32	14
24341-000260	2	55
	27	10
24341-000300	37	37 -1
24341-000320	37	37
24341-000400	6	6
	27	17
24341-000460	2	53
	27	43
24341-000480	47	3 -1
24341-000550	37	59
24341-000630	32	40
24341-001350	3	14
	27	11
24351-020300	37	37 -2
24411-203508	37	54 -1
24421-142507	47	2 -1
24421-305208	42	33 -1
24421-405508	32	41 -1
24423-385508	37	38 -1

Parts No.	Fig. No.	Ref. No.
24761-010000	36	41
	37	39
	46	41
	58	19
		41
24761-060000	31	6
		30
		39
	33	12
		18
		35
		58
26011-060122	55	68
26011-080162	51	26 -1
		27
		28
		55
		69 -1
		56
		16 -1
		32 -1
26013-060122	37	40
	51	26
	52	15
	53	30
26013-060142	55	42
26013-060222	12	4 -1
26013-060252	47	34
		35
26013-060402	47	36
		37
26013-080122	37	41
	51	29 -1
	55	70 -1
		78
26013-080142	51	29
	55	70
26013-080162	29	13
	30	13
	32	61
	36	21
	47	53
	55	71
		73
26013-080202	3	15 -1
	7	30 -1
	47	54 -1
	56	33
26013-080222	32	42
	47	54
26013-080252	7	31 -1
		32 -1

Parts No. Index

Parts No.	Fig. No.	Ref. No.
26013-080252	32	42 -1
	55	72
	56	59
26013-080352	47	38
26013-100202	55	37
	56	17
	66	21
26013-100252	56	18
		34
26013-100282	33	3
26013-100302	33	3 -1
	35	36 -1
26013-120222	44	22
	70	15
26013-120252	44	22 -1
	59	11
26013-120302	30	14
		19
	59	12
	66	22
26013-140252	31	43
	33	36
26013-140302	66	23
26014-060122	52	15 -1
	53	30 -1
	54	23
26014-060142	56	21
26014-060162	37	42
26014-060182	15	22 -1
26014-060202	56	60
26014-060302	15	23
26014-080252	22	15 -1
26014-080352	22	16
26106-060082	1	31 -1
26106-060102	2	26
26106-060122	2	27 -1
	15	24 -1
26106-060162	1	32 -1
26106-060222	21	18 -1
26106-060322	14	10 -1
		22
	24	31
26106-080102	6	7 -1
26106-080122	5	21 -1
	15	25 -1
	23	9 -1
26106-080142	5	2 -1
26106-080162	6	8 -1
	7	33 -1
26106-080182	16	19 -1

Parts No.	Fig. No.	Ref. No.
26106-080382	14	29 -1
26106-080402	14	30 -1
26106-080452	2	28 -1
26106-080552	14	31 -1
26106-080602	14	35
	19	16 -2
26106-080652	19	16 -1
	29	24 -1
26106-080752	2	29 -1
26106-080852	2	30 -1
26106-081152	2	31 -1
26106-100652	8	6
		13 -1
26116-050142	22	17
26116-060102	15	24
	20	9
26116-060122	2	27
	31	46
	52	45
26116-060142	49	33
26116-060162	15	22
	20	8
	49	33 -1
26116-060182	1	32
26116-060202	37	60
26116-060222	12	4
	21	18
26116-060352	14	10
26116-080122	5	21
	15	25
	23	9
	36	16
	56	61
26116-080162	7	33
	41	13
		31
	42	34
	50	37 -1
	55	69
26116-080182	50	37
26116-080202	3	15
	7	30
	35	29 -1
	37	43
		44
	42	35
	56	16
		32
26116-080222	16	19
	35	29

Parts No.	Fig. No.	Ref. No.
26116-080252	7	31
		32
	22	15
	40	31
	43	31
	46	9
		18
	47	10 -1
26116-080302	44	23
	55	38
26116-080352	37	45
	48	36
26116-080402	14	29
26116-080452	2	28
	14	30
	48	37
26116-080502	29	14
26116-080552	56	62 -1
26116-080582	8	23
26116-080602	14	31
	56	62
26116-080652	29	24
26116-080702	19	16
26116-080752	2	29
	42	36
26116-080802	42	37
26116-080852	2	30
26116-081152	2	31
26116-081202	22	24
26116-100162	32	62 -1
	34	35
26116-100222	1	33
26116-100252	34	13
26116-100302	34	14
		36
	44	44
26116-100352	44	45
	45	10
	48	38
26116-100452	34	37
26116-100652	8	13
26116-100802	46	32 -1
26116-120252	55	39
26116-120322	48	63
26116-120352	34	38
	37	46
		47
26116-120602	31	24
26116-120652	36	17
26116-140352	48	39 -1

Parts No.	Fig. No.	Ref. No.
26116-140452	48	40 -1
26116-140652	48	41 -1
26116-160602	67	7
26116-161102	67	3
26126-080252	47	10
26126-100162	32	62
26126-140352	48	39
26126-140452	48	40
26126-140652	48	41
26206-100222	1	33 -1
26216-060142	2	13
26216-060352	2	14
26216-080182	44	8
26216-080222	8	19
26216-080302	1	34
26216-080452	48	5
26216-080602	5	14
26216-080652	5	22
		22 -1
26216-080702	5	23
26216-100252	44	9
		46
26216-100302	44	47
		47 -1
26216-100322	2	32
	44	10
26216-100452	37	8
26216-120352	44	11
26346-050002	52	49
26346-120002	38	46
	42	38
26356-120002	35	37
26366-060002	2	15 -1
	6	19 -1
26366-080002	5	24 -1
		25 -1
	8	20 -1
	22	18
		19 -1
26368-080002	22	19
26450-080182	32	26
26450-080202	49	37
26450-080252	47	10 -2
26450-080452	14	33
26450-080652	43	20
26557-030062	29	9
26557-040082	25	14
26557-040122	24	30 -1
26557-040252	25	15
26557-050122	6	20

Parts No. Index

Parts No.	Fig. No.	Ref. No.
26557-050162	52	50
26557-060082	23	10
26557-060162	66	24
26557-060302	52	51
26557-080102	6	7
26587-050102	17	43
	50	38
26587-060162	51	30
	56	19
26587-060202	52	22
26587-080102	2	16
	9	2 -1
26587-080122	9	2
		2 -2
26587-080162	53	31
	54	24
26635-080002	50	39
26687-120002	21	42
26696-100002	5	26 -1
	16	20 -1
26706-100002	2	17 -1
	8	7
		14 -1
	25	20
26716-040002	52	28
26716-060002	2	15
	30	6
26716-080002	1	35
	2	9
		36
	5	24
		25
	8	20
	28	19
	29	15
	44	12
	47	55
	48	42
	50	40
	52	41
	55	40
	56	35
26716-100002	2	17
	8	14
	28	20
	36	42
	37	9
	44	13
		48
	46	42

Parts No.	Fig. No.	Ref. No.
26716-100002	48	43
	53	19
	56	20
26716-120002	1	36
	41	14
	44	14
	50	41
	55	41
26716-140002	58	42
26716-160002	33	35
	37	48
	44	49
	67	5
26736-120002	21	43
26736-160002	37	48 -1
	41	32
	48	64
26736-200002	35	31
26756-050002	6	21
	21	38
	22	20
26756-060002	49	34
26756-080002	5	31
		36
	22	22
26756-100002	40	32
	41	15
	45	11
	50	42
	53	16
26756-140002	58	43
26756-200002	58	20
26756-240002	58	10
26776-100002	5	26
	16	20
	35	30
26776-180002	10	16
26776-200002	35	31 -1
26817-160002	58	44
26837-100002	38	47
26837-160002	58	44 -1
26921-080102	5	50
27241-300000	1	12
28110-080100	68	5
28110-100130	68	6
28110-120140	68	7
28110-170190	68	8
28110-220240	68	9
28110-260320	68	10
28110-270300	68	11

Parts No.	Fig. No.	Ref. No.
29311-163000	55	5 B
29411-050000	52	19 -1
29411-100000	52	20 -1
29411-150000	52	21 -1
3-10045	70	5
3-10046	70	11
3-10066	70	7
3-10079	70	13
3-10080	70	10
3-10087	70	12
3-10152	70	6
3-10287	70	4
3-11843	70	9
3-12316	70	14
4-11053	70	1
4-11790	70	3
43400-500390	20	25
	27	39
43400-500410	14	38
	27	44
43400-500450	1	22
	21	44
	27	5
		41
705311-22500	11	3
	26	4
705311-22501	11	3 -1
	26	4 -1
711100-51540	17	9
721250-55540	19	2 -1
721257-55540	19	2
721450-11650	5	27
721450-11660	5	32
721454-01612	2	1
721500-21700	10	1
721522-11700	5	1
721522-11701	5	1 -1
721550-02500	3	1
721550-02610	3	5
721550-02620	3	9
721550-02800	3	8
721550-02810	3	12
721550-02820	3	20
721550-02830	3	19
721550-23100	11	9
721550-23600	11	13
721550-51700	17	1
721551-01540	1	19
721551-11520	6	9
721551-13500	8	17

Parts No.	Fig. No.	Ref. No.
721554-01561	1	1
721554-92500	26	1
721554-92501	26	2
721554-92600	27	1
721554-92601	27	2
724060-53101	18	1
724550-51520	17	7
729301-01610	2	2
794080-12950	61	3
794081-12950	60	3
794081-54101	53	20
	54	10
794130-34800	61	7
		17
	63	12
		22
794130-34880	60	7
		17
	64	12
		22
794130-71410	58	4
		12
		22
		27
794136-34500	62	9
	65	9
794136-34501-Q	62	9 -1
	65	9 -1
794136-34600	62	14
	65	14
794136-34601-Q	62	14 -1
	65	14 -1
794150-21700	36	19
794150-22150	36	23
794150-53400	54	7
794166-14700	63	1
794166-14800	63	6
794171-14700	64	1
794171-14800	64	6
794190-26180	39	3
794197-71100-X	58	1 -1
794197-71101-X	58	1 -2
794242-12900	61	1
794275-53401	53	7
794286-71100-X	58	1
794300-25100	38	2
794322-82110	68	1
794322-82111	68	1 -1
794361-14701-Q	62	1
	65	1

Parts No. Index

Parts No.	Fig. No.	Ref. No.
794361-14801-Q	62	5
	65	5
794432-01400	56	64
794432-72100-X	58	11
794432-72200-X	58	21
794432-73100-X	58	26
794432-74600-X	58	30
794432-74601	58	30 -1
794446-83100-X	66	1
794730-57112-X	31	34
794730-57122-X	33	7
794730-57132-X	33	13
XM069000000	25	7
XM329830000	25	2
XM428020000	25	3
XM429270000	25	4
XM429290000	25	5
XM514160000	25	6
XM514170000	25	8
XM514180000	25	9
XM860250000	25	17
XM861240000	25	10
		18
XM967170000	25	11
YT1432-34810	62	13 A
		18 A
YTI446-59100	69	1
YTI446-59110	69	2
YTI446-59120	69	3
YTI446-59140	69	4
YTI446-59150	69	5
YTI446-59160	69	6

Parts No.	Fig. No.	Ref. No.
-----------	----------	----------

Parts No.	Fig. No.	Ref. No.
-----------	----------	----------

Parts No.	Fig. No.	Ref. No.
-----------	----------	----------